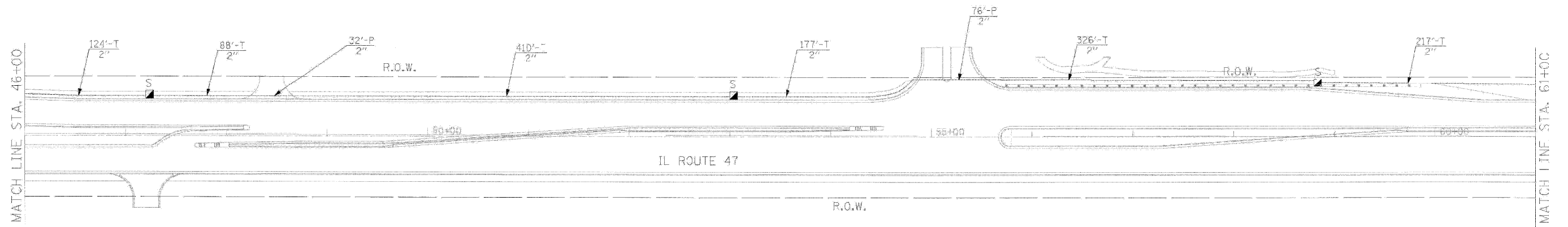
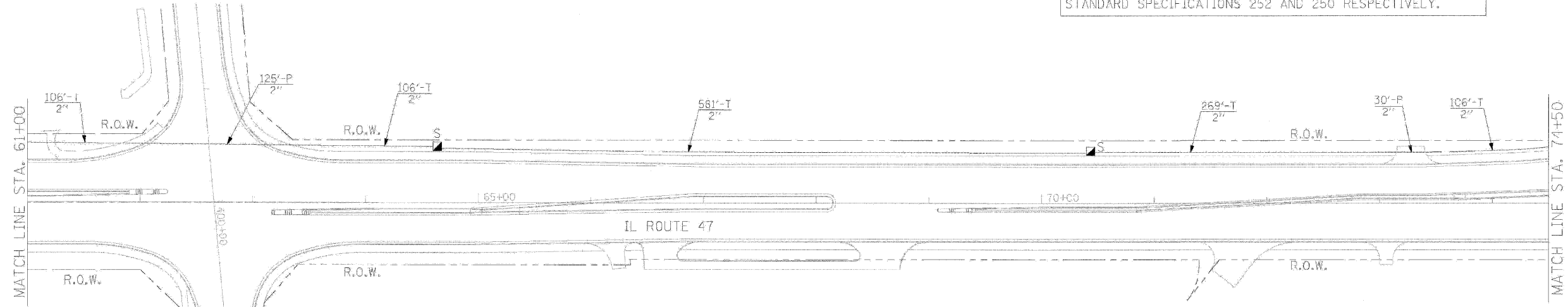


F.A.P. RTE.	SECTION	COUNTY	TOTAL SHEETS	SHEET NO.
326		MCHENRY	502	311
STA. 9+35.22		TO STA.142+08.53		
FED. ROAD DIST. NO.	ILLINOIS	FED. AID PROJECT		



RESTORATION OF WORK AREA. RESTORATION OF THE TRAFFIC SIGNAL WORK AREA SHALL BE INCIDENTAL TO THE RELATED PAY ITEMS SUCH AS FOUNDATION, CONDUIT, HANDHOLE, TRENCH, AND BACKFILL, ETC., AND NO EXTRA COMPENSATION SHALL BE ALLOWED. ALL ROADWAY SURFACES SUCH AS SHOULDERS, MEDIANS, SIDEWALKS, PAVEMENT, ETC. SHALL BE REPLACED IN KIND. ALL DAMAGE TO MOWED LAWNS SHALL BE REPLACED WITH AN APPROVED SOD, AND ALL DAMAGE TO UNMOWED FIELDS SHALL BE SEEDED IN ACCORDANCE WITH STANDARD SPECIFICATIONS 252 AND 250 RESPECTIVELY.



INTERCONNECT PLAN LEGEND

	PROPOSED	EXISTING
CONTROLLER		
HANDHOLE		
DOUBLE HANDHOLE		
HEAVY DUTY HANDHOLE		
GALVANIZED STEEL CONDUIT IN TRENCH OR PUSHED		
DETECTOR LOOP		
COMMON TRENCH	CT	
UNIT DUCT	UD	
SYSTEM	S	
INTERSECTION	IP	I
TELEPHONE CONNECTION		

THE TRAFFIC SIGNAL CONTROL EQUIPMENT FOR THIS PROJECT SHALL BE "EAGLE" TO MATCH THE EXISTING ADJACENT SYSTEM.

ILLINOIS DEPARTMENT OF TRANSPORTATION

PROPOSED INTERCONNECT PLAN  
ILLINOIS ROUTE 47 FROM  
KREUTZER ROAD TO  
REEF ROAD  
(SHEET 2 OF 4)

SCALE: 1"=50'  
DATE: APRIL 17, 2009

DRAWN BY: MAA  
DESIGNED BY: PKG/RRM  
CHECKED BY: PKG/RRM

REVISIONS	
NAME	DATE

**GO** GANDHI AND ASSOCIATES, INC.  
ENGINEERS AND PLANNERS  
6035 N. NORTHWEST HIGHWAY  
SUITE 300  
CHICAGO, ILLINOIS 60631 TEL: (773) 774-5910

PLOT DATE = Wednesday, August 05, 2009  
FILE NAME = S:\11-CADD\11-1111\311-144.dgn  
PLOT SCALE = 1:1  
USER NAME = 3636