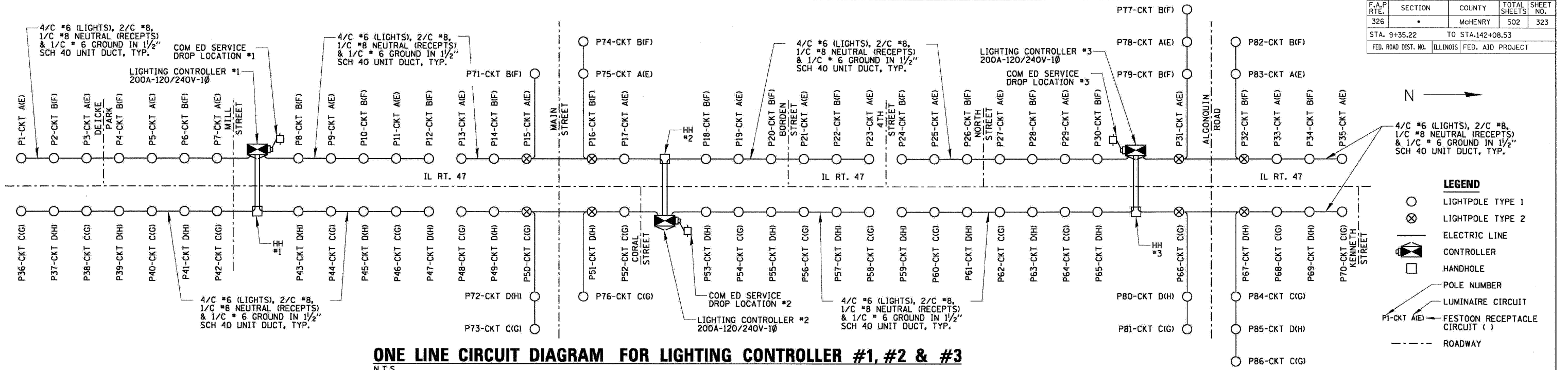


F.A.P. RTE.	SECTION	COUNTY	TOTAL SHEETS	SHEET NO.
326		McHENRY	502	323
STA. 9+35.22		TO STA.142+08.53		
FED. ROAD DIST. NO.		ILLINOIS FED. AID PROJECT		



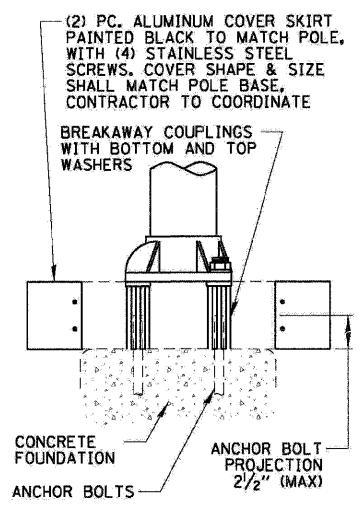
ONE LINE CIRCUIT DIAGRAM FOR LIGHTING CONTROLLER #1, #2 & #3
N.T.S.

LUMINAIRE AND POLE SCHEDULE

LIGHT POLE IDENTIFIER	POLE TYPE	LUMINAIRES						CONTROLLER IDENTIFIER
		ROADWAY		PEDESTRIAN		FESTOON RECEPTACLES		
		WATTAGE	CKT ID	WATTAGE	CKT ID	WATTAGE	CKT ID	
P1	1	(1) 400W	A	(2) 50W	A	180W	E	1
P2	1	(1) 400W	B	(2) 50W	B	180W	F	1
P3	1	(1) 400W	A	(2) 50W	A	180W	E	1
P4	1	(1) 400W	B	(2) 50W	B	180W	F	1
P5	1	(1) 400W	A	(2) 50W	A	180W	E	1
P6	1	(1) 400W	B	(2) 50W	B	180W	F	1
P7	1	(1) 400W	A	(2) 50W	A	180W	E	1
P8	1	(1) 400W	B	(2) 50W	B	180W	F	1
P9	1	(1) 400W	A	(2) 50W	A	180W	E	1
P10	1	(1) 400W	B	(2) 50W	B	180W	F	1
P11	1	(1) 400W	A	(2) 50W	A	180W	E	1
P12	1	(1) 400W	B	(2) 50W	B	180W	F	1
P13	1	(1) 400W	A	(2) 50W	A	180W	E	2
P14	1	(1) 400W	B	(2) 50W	B	180W	F	2
P15	2	(2) 400W	A	(2) 50W	A	180W	E	2
P16	2	(2) 400W	B	(2) 50W	B	180W	F	2
P17	1	(1) 400W	A	(2) 50W	A	180W	E	2
P18	1	(1) 400W	B	(2) 50W	B	180W	F	2
P19	1	(1) 400W	A	(2) 50W	A	180W	E	2
P20	1	(1) 400W	B	(2) 50W	B	180W	F	2
P21	1	(1) 400W	A	(2) 50W	A	180W	E	2
P22	1	(1) 400W	B	(2) 50W	B	180W	F	2
P23	1	(1) 400W	A	(2) 50W	A	180W	E	2
P24	1	(1) 400W	B	(2) 50W	B	180W	F	3
P25	1	(1) 400W	A	(2) 50W	A	180W	E	3
P26	1	(1) 400W	B	(2) 50W	B	180W	F	3
P27	1	(1) 400W	A	(2) 50W	A	180W	E	3
P28	1	(1) 400W	B	(2) 50W	B	180W	F	3
P29	1	(1) 400W	A	(2) 50W	A	180W	E	3
P30	1	(1) 400W	B	(2) 50W	B	180W	F	3
P31	2	(2) 400W	A	(2) 50W	A	180W	E	3
P32	2	(2) 400W	B	(2) 50W	B	180W	F	3
P33	1	(1) 400W	A	(2) 50W	A	180W	E	3
P34	1	(1) 400W	B	(2) 50W	B	180W	F	3
P35	1	(1) 400W	A	(2) 50W	A	180W	E	3
P36	1	(1) 400W	C	(2) 50W	C	180W	G	1
P37	1	(1) 400W	D	(2) 50W	D	180W	H	1
P38	1	(1) 400W	C	(2) 50W	C	180W	G	1
P39	1	(1) 400W	D	(2) 50W	D	180W	H	1
P40	1	(1) 400W	C	(2) 50W	C	180W	G	1
P41	1	(1) 400W	D	(2) 50W	D	180W	H	1
P42	1	(1) 400W	C	(2) 50W	C	180W	G	1
P43	1	(1) 400W	D	(2) 50W	D	180W	H	1

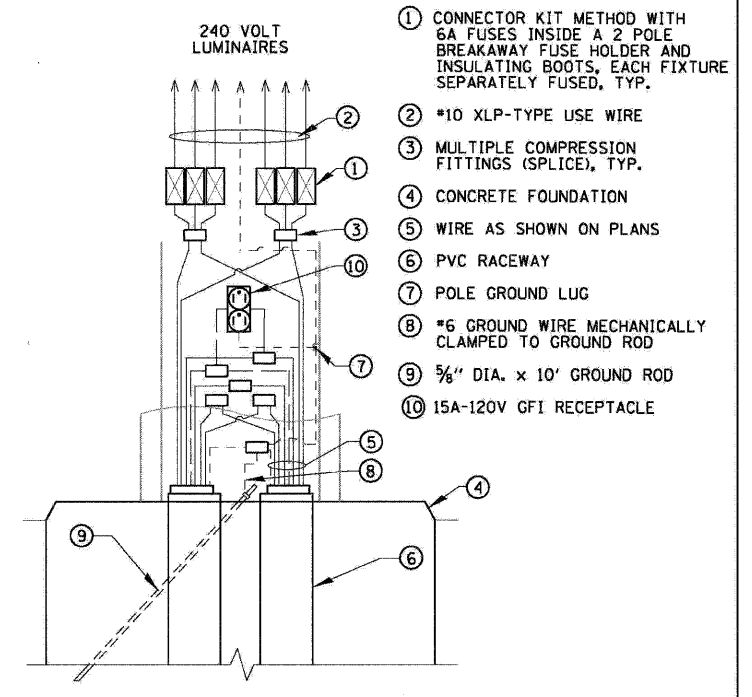
LUMINAIRE AND POLE SCHEDULE (CONT)

LIGHT POLE IDENTIFIER	POLE TYPE	LUMINAIRES						CONTROLLER IDENTIFIER
		ROADWAY		PEDESTRIAN		FESTOON RECEPTACLES		
		WATTAGE	CKT ID	WATTAGE	CKT ID	WATTAGE	CKT ID	
P44	1	(1) 400W	C	(2) 50W	C	180W	G	1
P45	1	(1) 400W	D	(2) 50W	D	180W	H	1
P46	1	(1) 400W	C	(2) 50W	C	180W	G	1
P47	1	(1) 400W	D	(2) 50W	D	180W	H	1
P48	1	(1) 400W	C	(2) 50W	C	180W	G	2
P49	1	(1) 400W	D	(2) 50W	D	180W	H	2
P50	2	(2) 400W	C	(2) 50W	C	180W	G	2
P51	2	(2) 400W	D	(2) 50W	D	180W	H	2
P52	1	(1) 400W	C	(2) 50W	C	180W	G	2
P53	1	(1) 400W	D	(2) 50W	D	180W	H	2
P54	1	(1) 400W	C	(2) 50W	C	180W	G	2
P55	1	(1) 400W	D	(2) 50W	D	180W	H	2
P56	1	(1) 400W	C	(2) 50W	C	180W	G	2
P57	1	(1) 400W	D	(2) 50W	D	180W	H	2
P58	1	(1) 400W	C	(2) 50W	C	180W	G	2
P59	1	(1) 400W	D	(2) 50W	D	180W	H	3
P60	1	(1) 400W	C	(2) 50W	C	180W	G	3
P61	1	(1) 400W	D	(2) 50W	D	180W	H	3
P62	1	(1) 400W	C	(2) 50W	C	180W	G	3
P63	1	(1) 400W	D	(2) 50W	D	180W	H	3
P64	1	(1) 400W	C	(2) 50W	C	180W	G	3
P65	1	(1) 400W	D	(2) 50W	D	180W	H	3
P66	2	(2) 400W	C	(2) 50W	C	180W	G	3
P67	2	(2) 400W	D	(2) 50W	D	180W	H	3
P68	1	(1) 400W	C	(2) 50W	C	180W	G	3
P69	1	(1) 400W	D	(2) 50W	D	180W	H	3
P70	1	(1) 400W	C	(2) 50W	C	180W	G	3
P71	1	(1) 400W	B	(2) 50W	B	180W	F	2
P72	1	(1) 400W	D	(2) 50W	D	180W	H	2
P73	1	(1) 400W	C	(2) 50W	C	180W	G	2
P74	1	(1) 400W	B	(2) 50W	B	180W	F	2
P75	1	(1) 400W	A	(2) 50W	A	180W	E	2
P76	1	(1) 400W	C	(2) 50W	C	180W	G	2
P77	1	(1) 400W	B	(2) 50W	B	180W	F	3
P78	1	(1) 400W	A	(2) 50W	A	180W	E	3
P79	1	(1) 400W	B	(2) 50W	B	180W	F	3
P80	1	(1) 400W	D	(2) 50W	D	180W	H	3
P81	1	(1) 400W	C	(2) 50W	C	180W	G	3
P82	1	(1) 400W	B	(2) 50W	B	180W	F	3
P83	1	(1) 400W	A	(2) 50W	A	180W	E	3
P84	1	(1) 400W	C	(2) 50W	C	180W	G	3
P85	1	(1) 400W	D	(2) 50W	D	180W	H	3
P86	1	(1) 400W	C	(2) 50W	C	180W	G	3



- NOTES:
- BEFORE INSTALLATION OF BREAKAWAY COUPLINGS, CONTRACTOR SHALL CONSULT WITH AN AUTHORIZED DISTRIBUTOR REGARDING PROPOSED APPLICATION, LOAD REQUIREMENTS AND INSTALLATION METHODS. FAILURES CAN RESULT FROM MISAPPLICATION OR IMPROPER INSTALLATION.
 - COUPLINGS WILL BE MEASURED FOR PAYMENT AS EACH, NOT AS A SET OF FOUR.

BREAKAWAY COUPLING DETAIL
N.T.S.



POLE HANDHOLE WIRING DIAGRAM
N.T.S.

REVISIONS	
NAME	DATE

ILLINOIS DEPARTMENT OF TRANSPORTATION

ILLINOIS ROUTE 47
ROADWAY LIGHTING DETAILS (3 OF 3)

SCALE: N.T.S. DRAWN BY: AJD
DATE: 2/11/2009 CHECKED BY: AJD

CB CHRISTOPHER B. BURKE ENGINEERING, LTD.
9575 W. Higgins Road, Suite 600
Rosemont, Illinois 60018
(847) 823-0500

PLOT DATE = Wednesday, August 05, 2009
FILE NAME = S:\1111\ROAD\1111\323.dwg
PLOT SCALE = 1/16
USER NAME = 3838