

STATE OF ILLINOIS  
DEPARTMENT OF TRANSPORTATION

ROUTE NO.	SECTION	COUNTY	TOTAL SHEETS	SHEET NO.
FAP 326	★	McHENRY	502	325
FED. ROAD DIST. NO. 7	ILLINOIS	FED. AID PROJECT	326	

SHEET NO. 2  
6 SHEETS

Contract No. 62882  
★ (105X & 106)WRS-2

REINFORCEMENT SCHEDULE

Bar	No.	Size	Length	Shape
a <sub>21</sub>	28	#5	8'-5"	—
a <sub>22</sub>	36	#6	8'-5"	—
a <sub>23</sub>	8	#5	5'-0"	—
b <sub>21</sub>	32	#5	12'-5"	—
h <sub>21</sub>	22	#4	13'-9"	⌊
h <sub>22</sub>	22	#4	9'-9"	⌊
h <sub>23</sub>	22	#4	12'-5"	⌊
h <sub>24</sub>	22	#4	8'-5"	⌊
h <sub>25</sub>	24	#5	5'-0"	—
h <sub>26</sub>	8	#5	6'-6"	—
v <sub>21</sub>	108	#5	10'-0"	—

NOTE:

Cut bars to miss storm sewer as required.

LEGEND

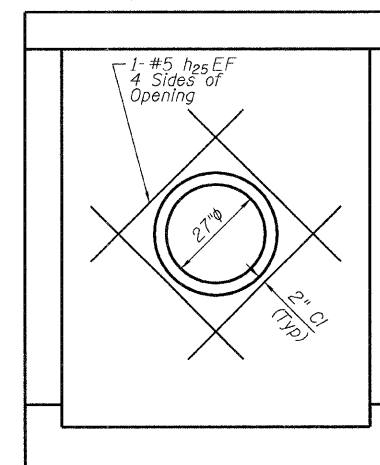
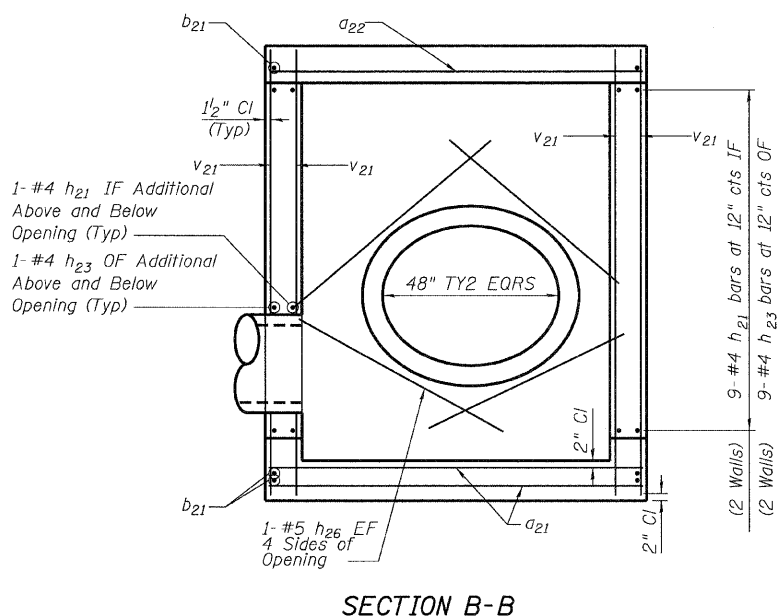
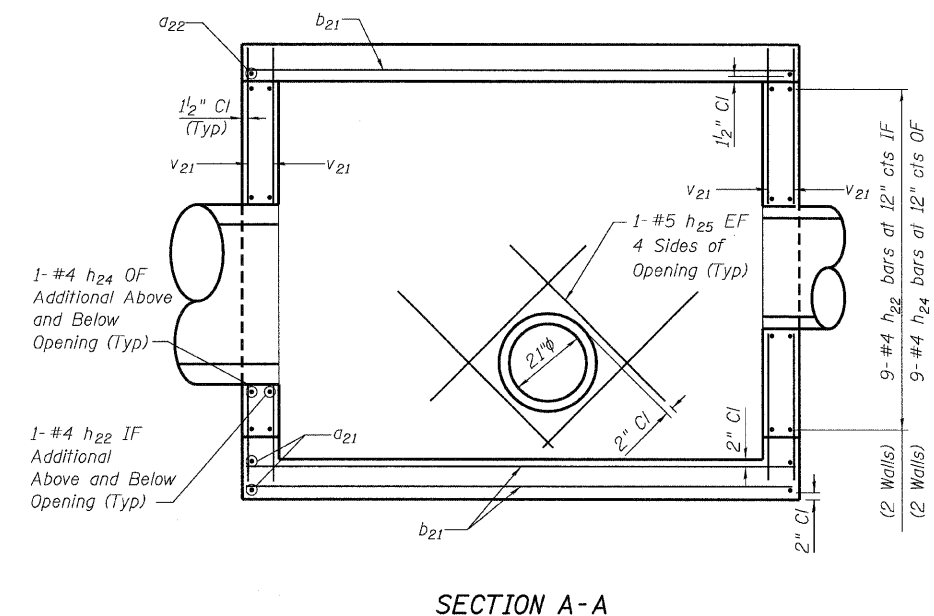
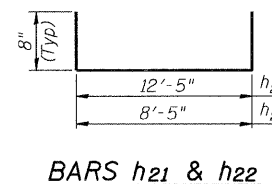
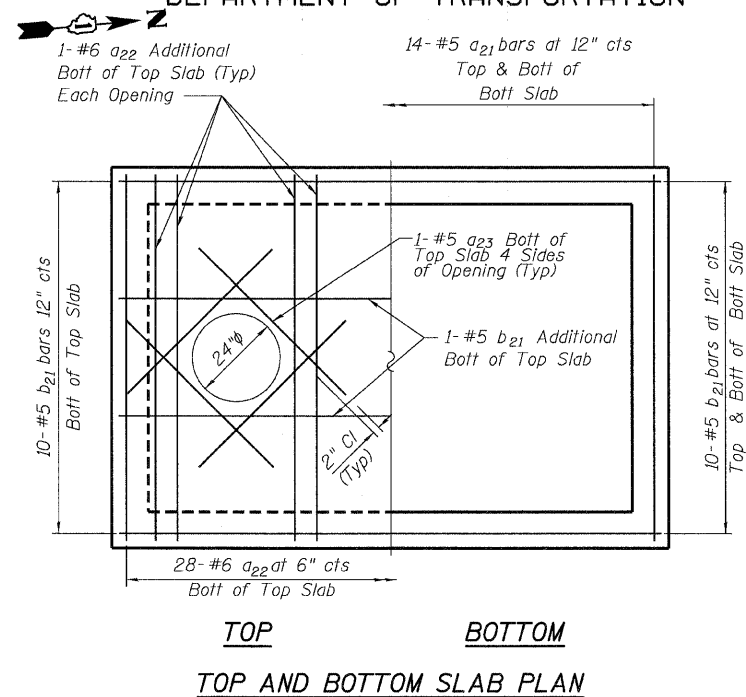
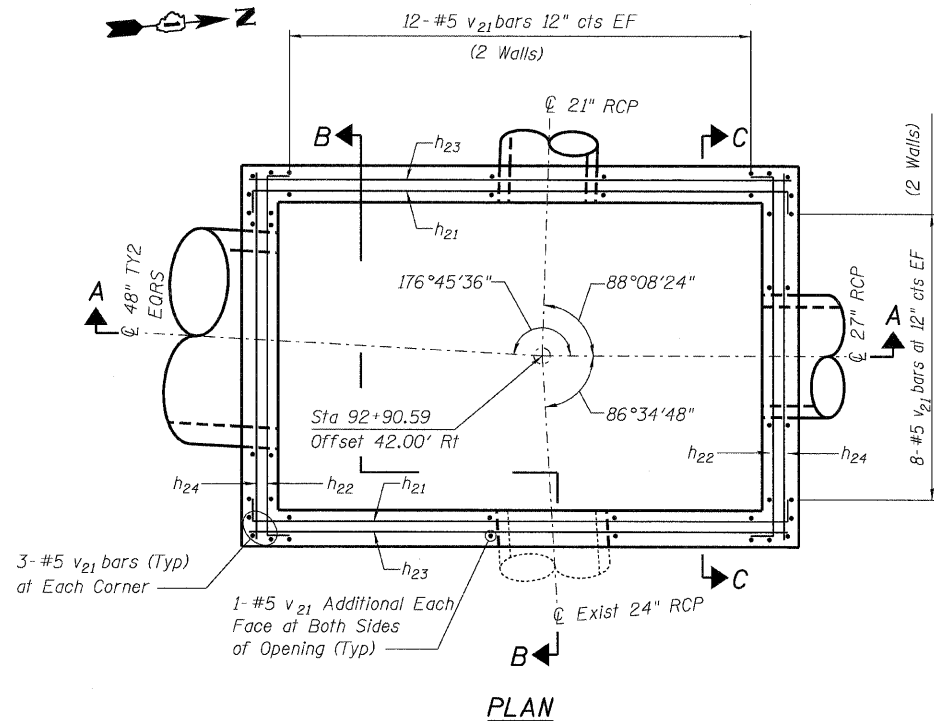
EF = Each Face  
IF = Inside Face  
OF = Outside Face

MIN BAR LAP

#4 1'-8"  
#5 2'-2"



JUNCTION CHAMBER No.1 REINFORCEMENT  
STRUCTURE #261 OUTLET  
PLAN, SECTION & DETAILS  
SOUTH OF NORTH ST.  
F.A.P. 326 - SECT. (105X & 106)WRS-2  
McHENRY COUNTY  
STATION 92+90.59  
OFFSET 42.00' RT



DESIGNED	BG
CHECKED	DSE
DRAWN	RTT
CHECKED	DSE
DATE	AUG. 5, 2009