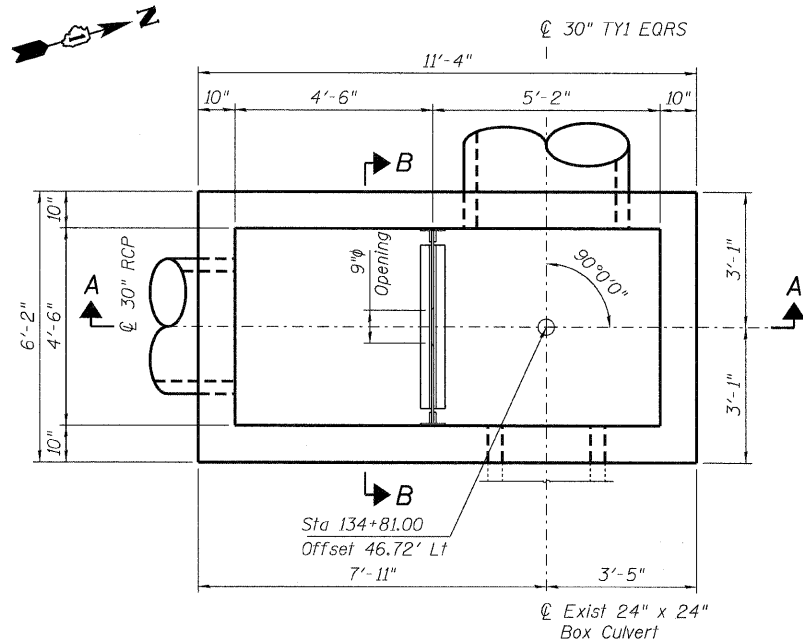


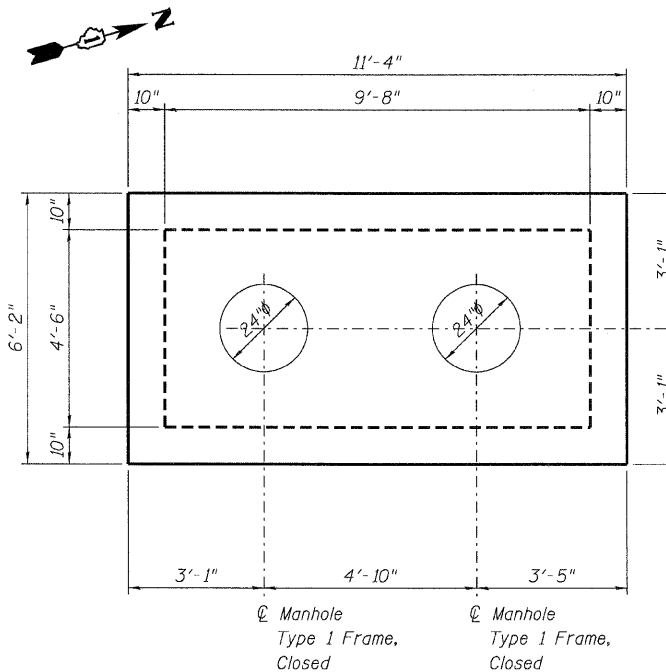
STATE OF ILLINOIS
DEPARTMENT OF TRANSPORTATION

ROUTE NO.	SECTION	COUNTY	TOTAL SHEETS	SHEET NO.	SHEET NO. 3
FAP 326	★	McHENRY	502	326	6 SHEETS
FED. ROAD DIST. NO. 7	ILLINOIS	FED. AID PROJECT-	326		

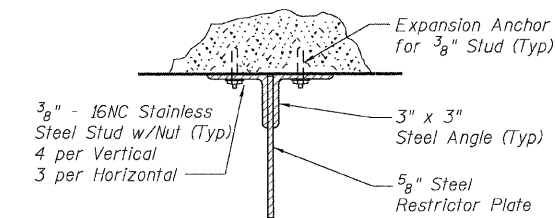
Contract No. 62882
★ (105X & 106)WRS-2



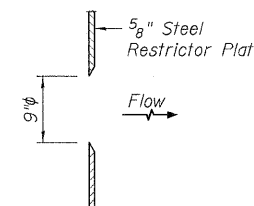
PLAN



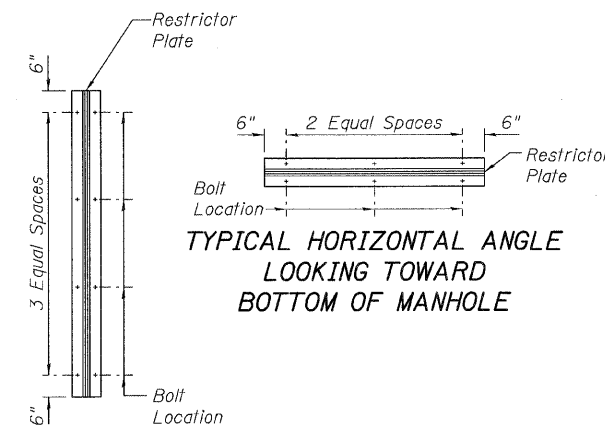
TOP SLAB



ANGLE FASTENER DETAIL



RESTRICTOR PLATE ORIFICE DETAIL
(Sharp Edge)



TYPICAL VERTICAL ANGLE
LOOKING TOWARD
MANHOLE WALL

STEEL ANGLE BOLTING DETAILS

(Total Bolts Required: 22)

TOTAL BILL OF MATERIAL

ITEM	UNIT	TOTAL
Junction Chamber No. 2	Each	1

NOTES:

All steel angles and plates to be galvanized after fabrication.

All restrictor plates, angles, and hardware to be included in the cost of the manhole.

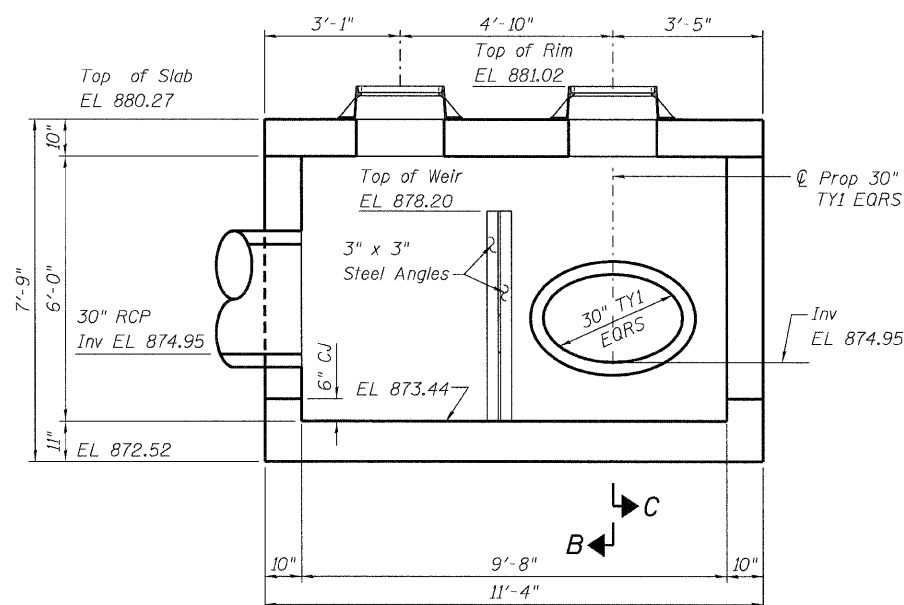
Angles shall be 3" x 3" x 3/8".

Vertical angles shall extend from the bottom of the restrictor plate to the top.

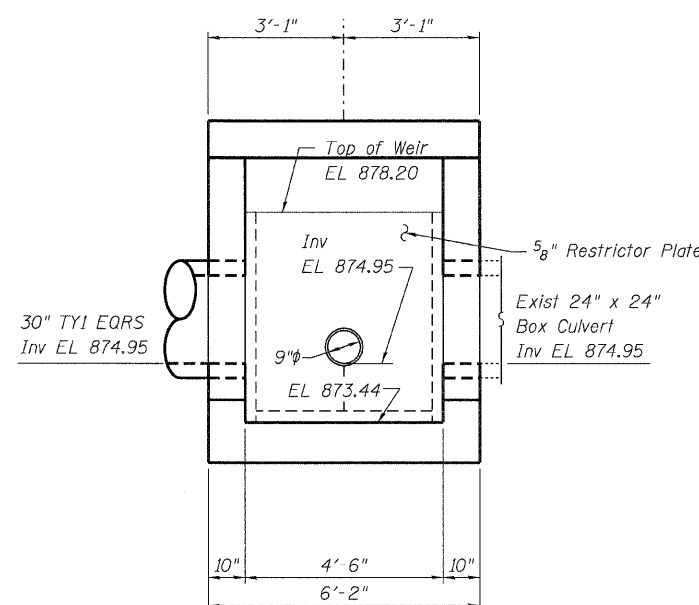
Horizontal angles shall extend from vertical angles to vertical angles.

For Junction Chamber location See Drainage Plans.

For reinforcement layout and schedule See Sheet 4 of 6



SECTION A-A



SECTION B-B

DESIGNED	BG
CHECKED	DSE
DRAWN	RTT
CHECKED	DSE
DATE	AUG. 5, 2009

ABBREVIATION LIST
CJ Construction Joint



JUNCTION CHAMBER No.2 LAYOUT
STRUCTURE #401 OUTLET
PLAN, SECTION & DETAILS
NORTH OF REED RD
F.A.P. 326 - SECT. (105X & 106)WRS-2
McHENRY COUNTY
STATION 134+81.00
OFFSET 46.72' LT