

STATE OF ILLINOIS
DEPARTMENT OF TRANSPORTATION

ROUTE NO.	SECTION	COUNTY	TOTAL SHEETS	SHEET NO.
FAP 326	★	McHENRY	502	327
FED. ROAD DIST. NO. 7	ILLINOIS	FED. AID PROJECT-	326	

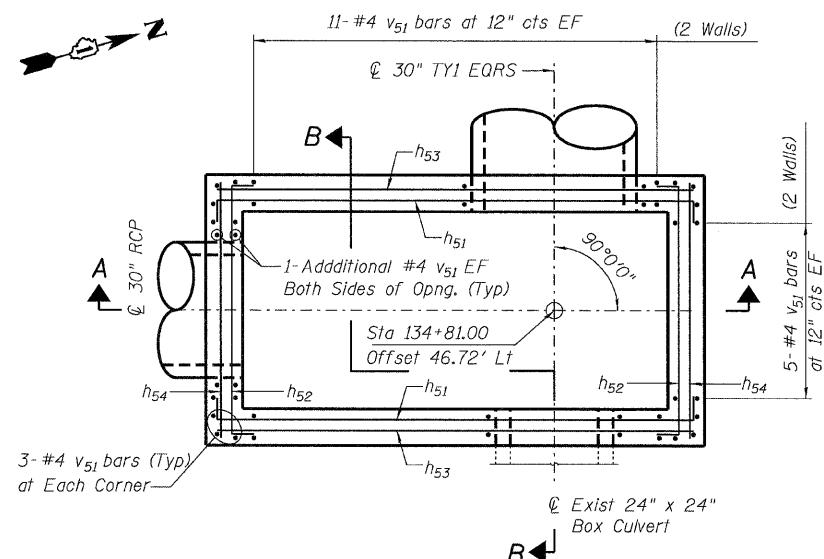
SHEET NO. 4
6 SHEETS

Contract No. 62882
★ (105X & 106)WRS-2

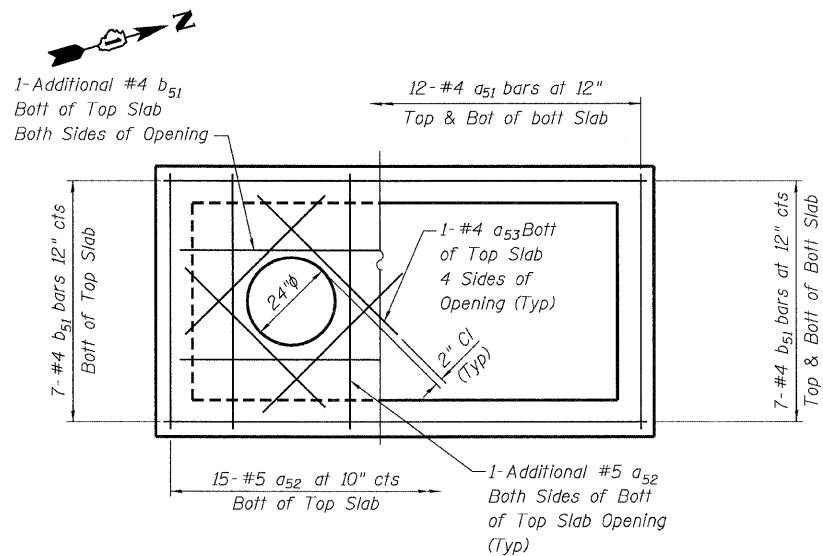
REINFORCEMENT SCHEDULE

Bar	No.	Size	Length	Shape
a ₅₁	24	#4	5'-11"	—
a ₅₂	19	#5	5'-11"	—
a ₅₃	8	#4	5'-0"	—
b ₅₁	23	#4	9'-11"	—
h ₅₁	18	#4	12'-5"	⌊
h ₅₂	16	#4	7'-3"	⌊
h ₅₃	18	#4	11'-1"	—
h ₅₄	16	#4	5'-11"	—
h ₅₅	24	#4	5'-0"	—
v ₅₁	88	#4	7'-6"	—

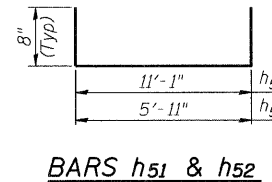
NOTE:
Cut bars to miss storm sewer as required.



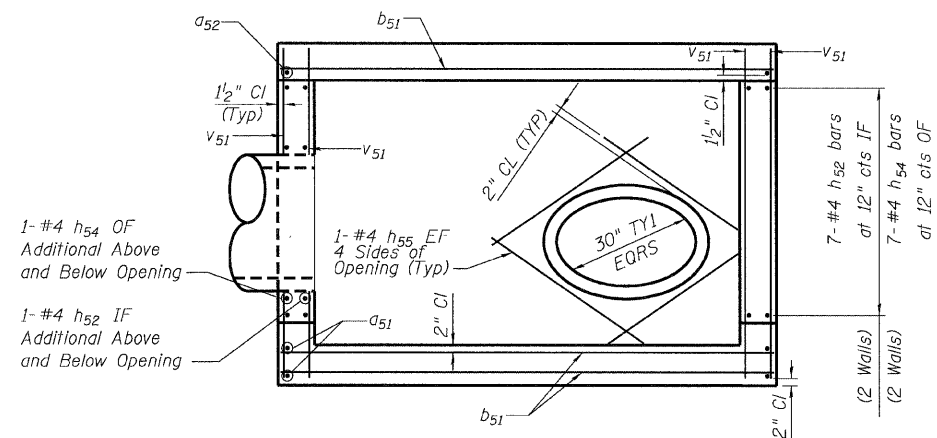
PLAN



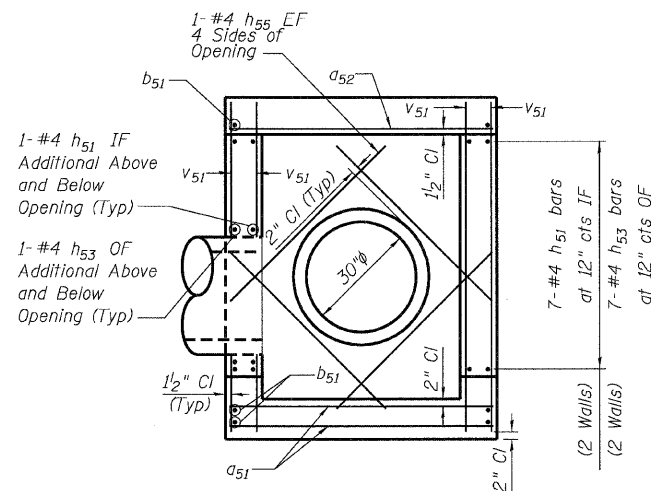
TOP
BOTTOM
TOP AND BOTTOM SLAB PLAN



BARS h₅₁ & h₅₂



SECTION A-A



SECTION B-B

LEGEND

EF = Each Face
IF = Inside Face
OF = Outside Face

MIN BAR LAP

#4 1'-8"
#5 2'-2"

DESIGNED	BG
CHECKED	DSE
DRAWN	RTT
CHECKED	DSE
DATE	Aug. 5, 2009

Stanley Consultants Inc.
8501 West Higgins Road, Suite 730, Chicago, Illinois 60631-2801
www.stanleyconsultants.com
Illinois Firm Registration No.: 1184-001533

JUNCTION CHAMBER No.2 REINFORCEMENT
STRUCTURE #401 OUTLET
PLAN, SECTION & DETAILS
NORTH OF REED RD
F.A.P. 326 - SECT. (105X & 106)WRS-2
McHENRY COUNTY
STATION 134+81.00
OFFSET 46.72' LT