

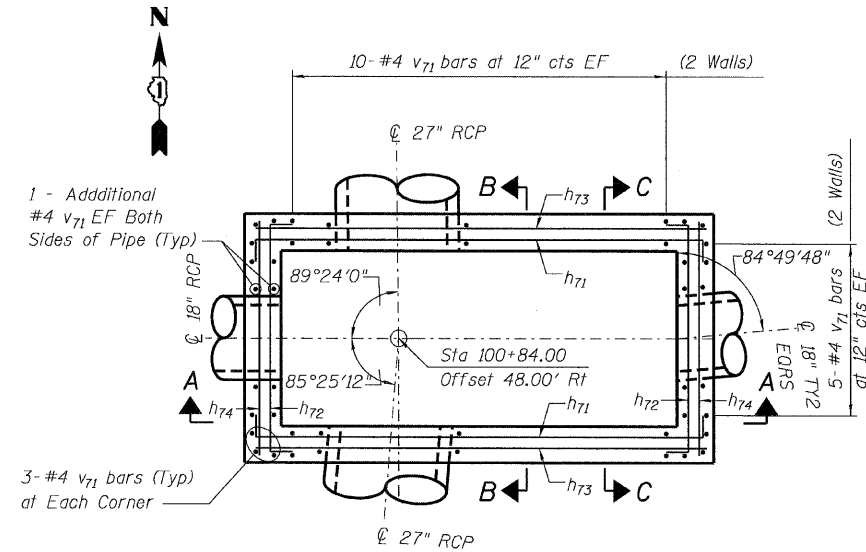
STATE OF ILLINOIS
DEPARTMENT OF TRANSPORTATION

ROUTE NO.	SECTION	COUNTY	TOTAL SHEETS	SHEET NO.
FAP 326	★	McHENRY	502	329
FED. ROAD DIST. NO. 7	ILLINOIS	FED. AID PROJECT-	326	

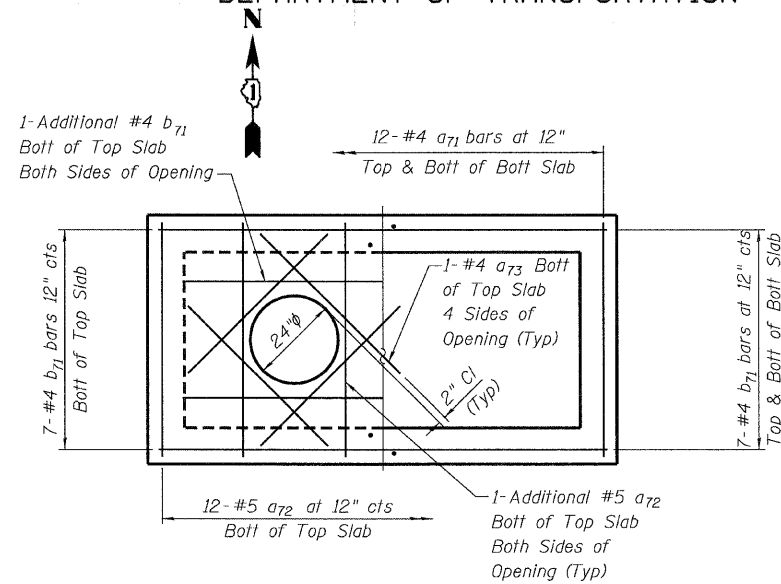
Contract No. 62882
★ (105X & 106)WRS-2

REINFORCEMENT SCHEDULE

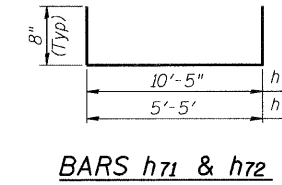
Bar	No.	Size	Length	Shape
a ₇₁	24	#4	5'-5"	—
a ₇₂	16	#5	5'-5"	—
a ₇₃	8	#4	5'-0"	—
b ₇₁	23	#4	10'-5"	—
h ₇₁	18	#4	11'-9"	⌊
h ₇₂	18	#4	6'-9"	⌊
h ₇₃	18	#4	10'-5"	⌊
h ₇₄	18	#4	5'-5"	⌊
h ₇₅	32	#4	5'-0"	⌊
v ₇₁	88	#4	7'-10"	—



PLAN



TOP
BOTTOM
TOP AND BOTTOM SLAB PLAN



BARS h₇₁ & h₇₂

NOTE:

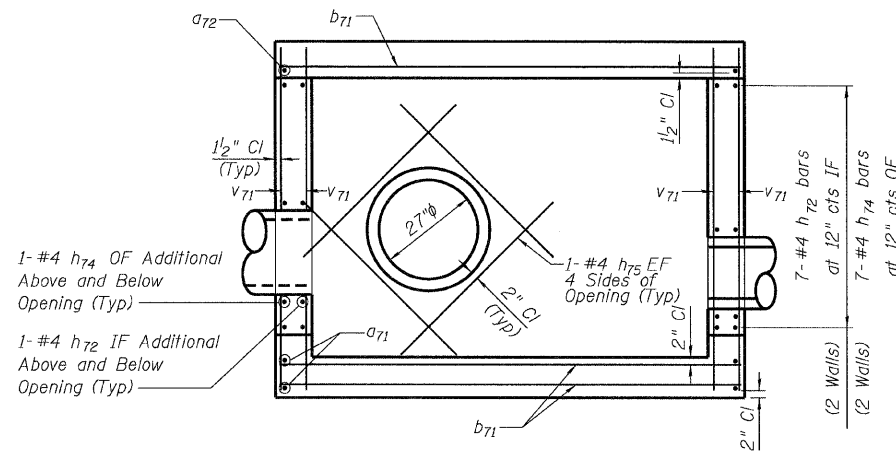
Cut bars to miss storm sewer as required.

LEGEND

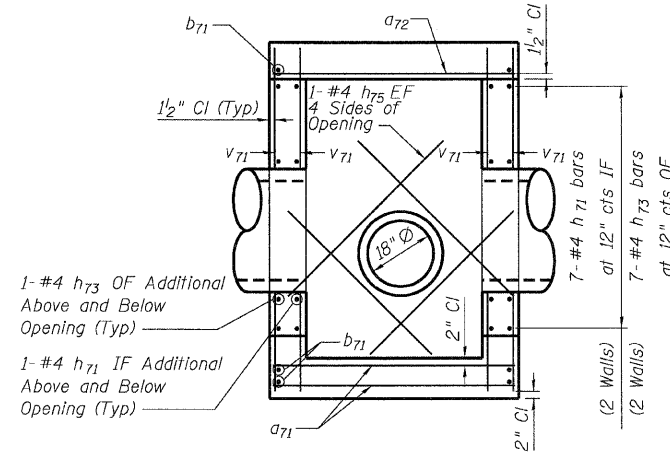
EF = Each Face
IF = Inside Face
OF = Outside Face

MIN BAR LAP

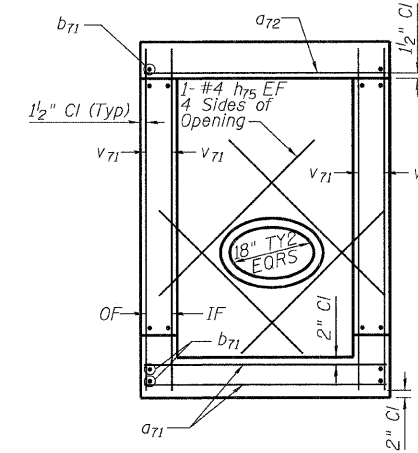
#4 1'-8"
#5 2'-2"



SECTION A-A



SECTION B-B



SECTION C-C

DESIGNED	BG
CHECKED	DSE
DRAWN	RTT
CHECKED	DSE
DATE	Aug. 5, 2009



JUNCTION CHAMBER No.3 REINFORCEMENT
STRUCTURE #299 OUTLET
PLAN, SECTION & DETAILS
AT ALGONQUIN RD
F.A.P. 326 - SECT. (105X & 106)WRS-2
McHENRY COUNTY
STATION 100+84.00
OFFSET 48.00' RT