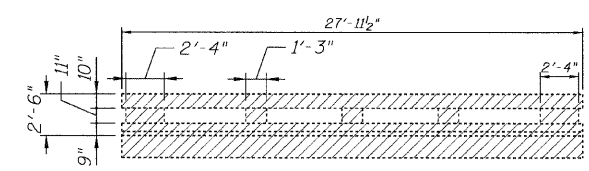
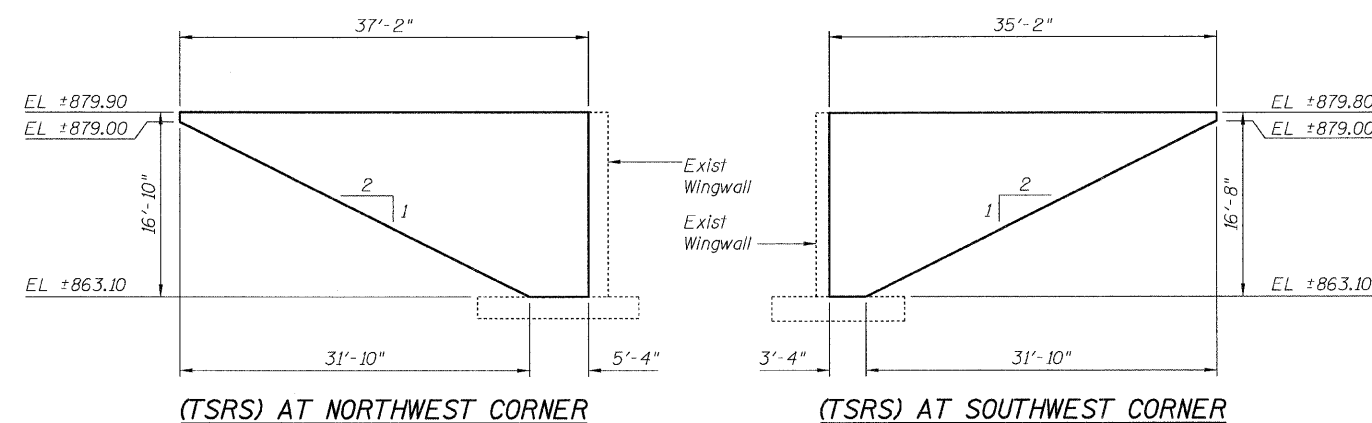
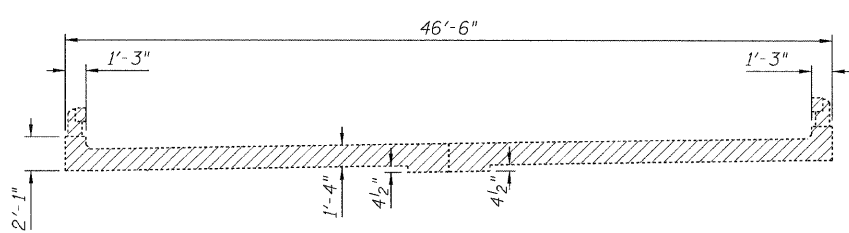
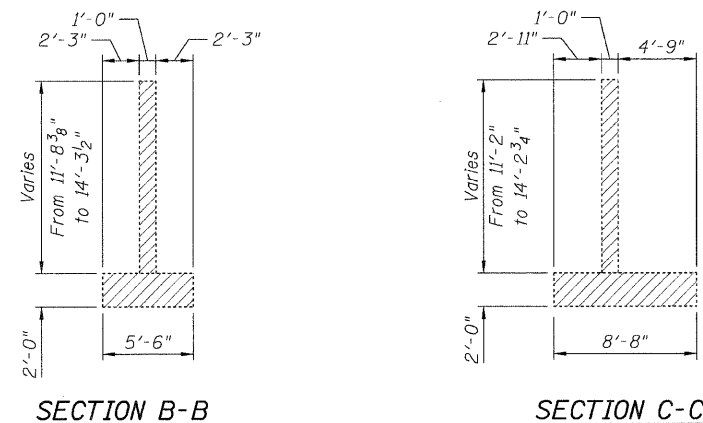
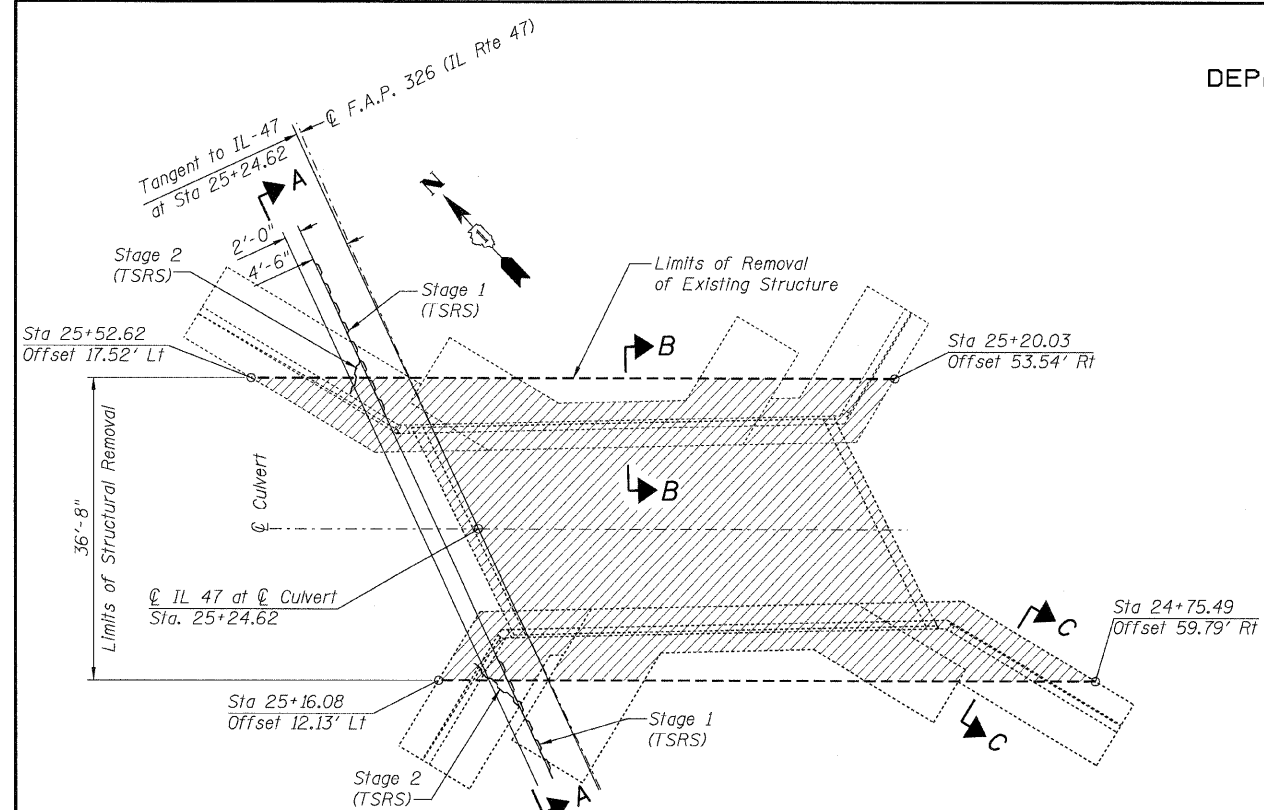


STATE OF ILLINOIS  
DEPARTMENT OF TRANSPORTATION

ROUTE NO.	SECTION	COUNTY	TOTAL SHEETS	SHEET NO.
FAP 326	★	McHENRY	502	332
FED. ROAD DIST. NO. 1	ILLINOIS	FED. AID PROJECT-	326	

Contract No. 62882  
★ (105X & 106)WRS-2



**NOTES**

1. Remove all structure elements within Limits shown for existing removal.

**LEGEND**

Indicates Material to be removed

Temporary Soil Retention System (TSRS)

**Stanley Consultants INC.**  
8501 West Higgins Road, Suite 730, Chicago, Illinois 60631-2801  
www.stanleyconsultants.com  
Illinois Firm Registration No.: 1184-001533

DESIGNED	- NDR
CHECKED	- DSE
DRAWN	- RTT
CHECKED	- DSE
DATE	- Aug. 5, 2009

**BILL OF MATERIAL**

ITEM	UNIT	TOTAL
Removal of Existing Structures	Each	1
Temporary Soil Retention System	Sq Ft	907

**REMOVAL**  
IL ROUTE 47 OVER  
S. BRANCH KISHWAUKEE RIVER  
F.A.P. 326 - SECT. (105X & 106)WRS-2  
McHENRY COUNTY  
STATION 25+24.62  
STRUCTURE NO. 056-0085