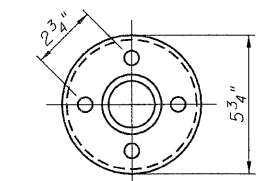
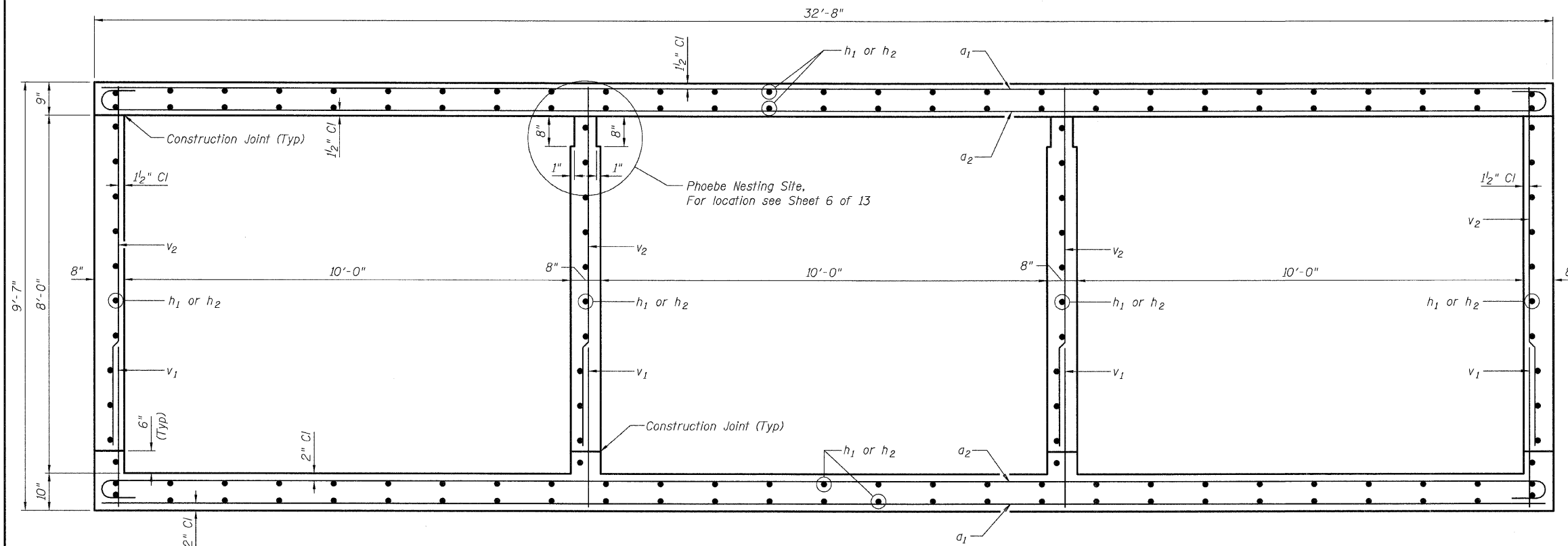


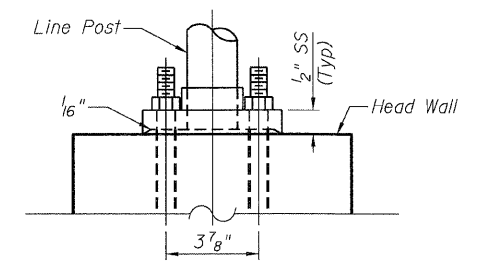
STATE OF ILLINOIS
DEPARTMENT OF TRANSPORTATION

ROUTE NO.	SECTION	COUNTY	TOTAL SHEETS	SHEET NO.	SHEET NO. 7
FAP 326	★	McHENRY	502	336	13 SHEETS
FED. ROAD DIST. NO. 1	ILLINOIS	FED. AID PROJECT-	326		

Contract No. 62882
★ (105X & 106)WRS-2

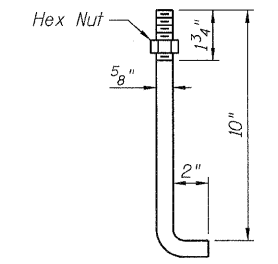


3/4" CORED HOLES FOR ANCHOR BOLTS



CAST IRON OR STRUCTURAL STEEL FITTING 6 - REQ'D)

(See Note 2)



BUILT-IN ANCHOR BOLT

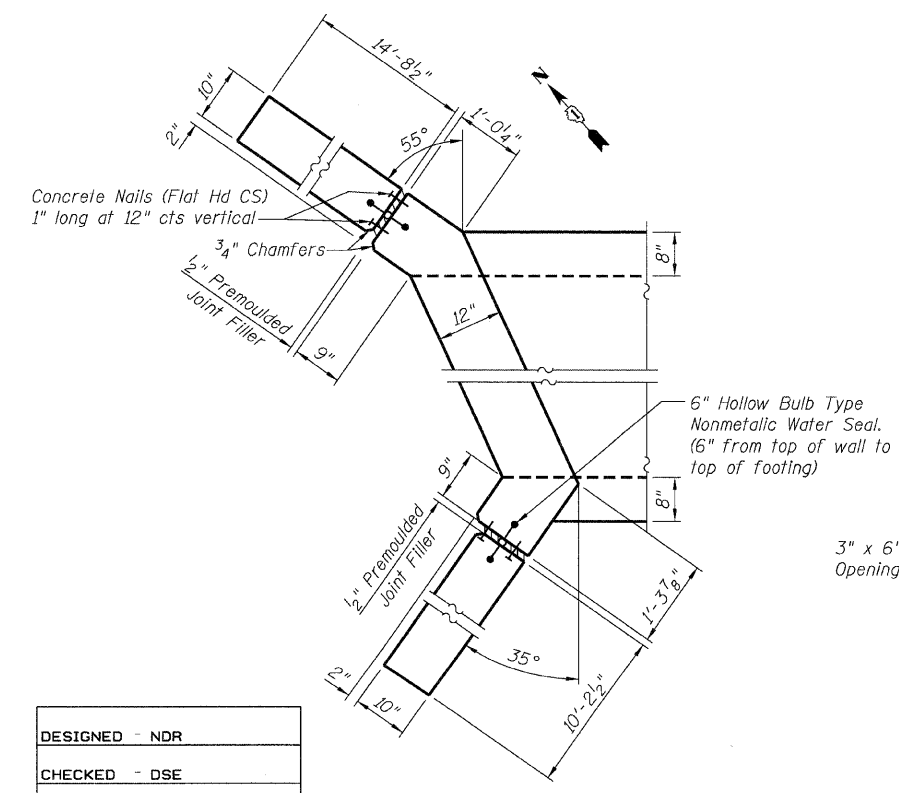
5/8" ϕ , 12" LONG

(24 - Req'd See Note 1)

NOTES:

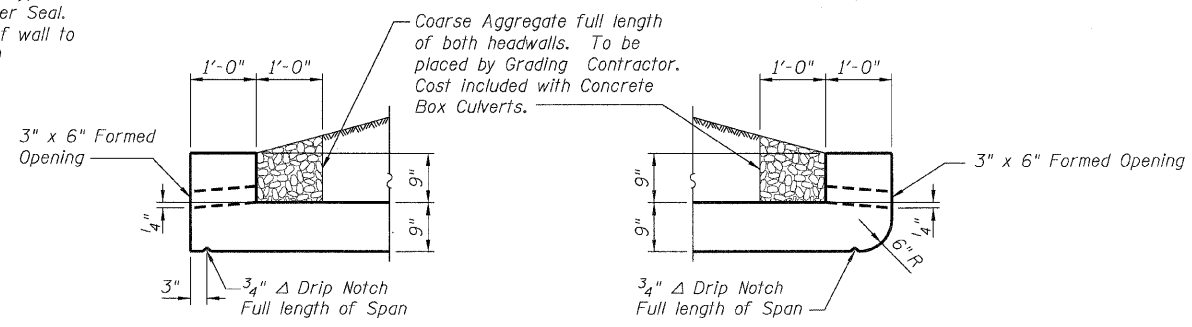
1. An equivalent epoxy anchor stud can be used in place of anchor shown. Anchor bolt holes shall be 3/4" in diameter and 8" deep. They shall be predrilled with an electric hammer drill to a depth of 4" prior to use of a pneumatic drill for the remaining 4". A two component encapsulated epoxy such as "Parabond" or an equivalent shall be used. Installation shall be according to Manufacturer's recommendations.
2. Cost of furnishing and installing Fitting and Anchor Bolts included in Chain Link Fence, 6' Attached to Structure.

SECTION THRU BARREL



CORNER DETAIL

Similar at opposite End



AT DOWNSTREAM END

AT UPSTREAM END

DRAIN DETAIL

(See Sht 5 of 13 of locations)

FENCE POST MOUNTING DETAILS

Stanley Consultants Inc.
8501 West Higgins Road, Suite 730, Chicago, Illinois 60631-2801
www.stanleyconsultants.com
Illinois Firm Registration No.: 1184-001533

CULVERT DETAILS
IL ROUTE 47 OVER
S. BRANCH KISHWAUKEE RIVER
F.A.P. 326 - SECT. (105X & 106)WRS-2
McHENRY COUNTY
STATION 25+24.62
STRUCTURE NO. 056-0085

MIN BAR LAP

#4	1'-4"
#5	1'-8"

DESIGNED	- NDR
CHECKED	- DSE
DRAWN	- RTT
CHECKED	- DSE
DATE	- Aug. 5, 2009