

STATE OF ILLINOIS  
DEPARTMENT OF TRANSPORTATION

ROUTE NO.	SECTION	COUNTY	TOTAL SHEETS	SHEET NO.	SHEET NO. 10
FAP 326	★	McHENRY	502	339	13 SHEETS
FED. ROAD DIST. NO. 1	ILLINOIS	FED. AID PROJECT-	326		

Contract No. 62882  
★ (105X & 106)WRS-2

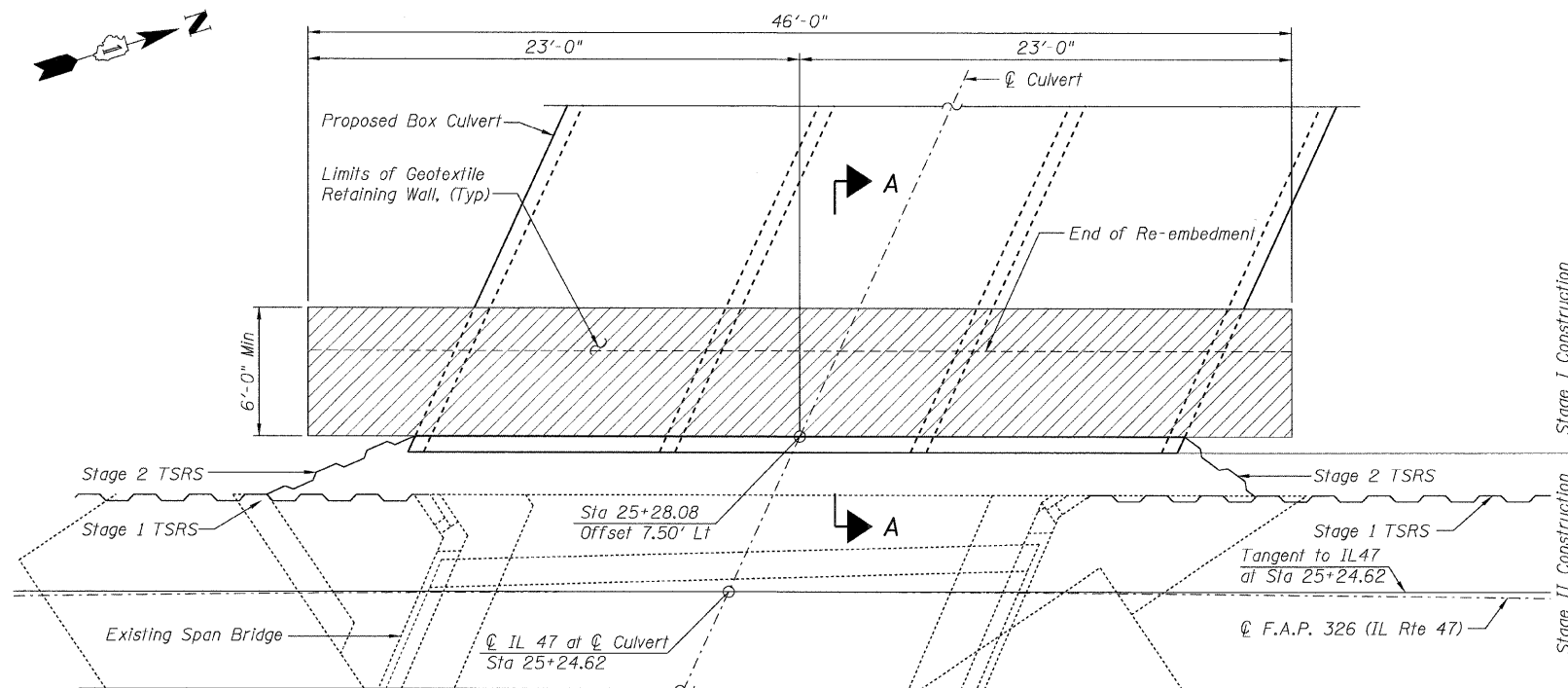
1. Place form brace system on completed reinforcement level; back from the finished fabric face a distance of  $\frac{1}{3}$  to  $\frac{1}{2}$  the geotextile reinforcement spacing.

2. Position fabric so that the required geotextile re-embedment length extends over the top of the form brace and the design reinforcement width is placed with no slack against the previous level.

3. Compact select fill material in lifts to final lift height, create (+3") depression in zone where re-embedment length will be located and place additional height of compacted select fill against form brace.

4. Fold geotextile re-embedment length back over form brace into zone where depression was made in select fill and place additional select fill (+3") to embed geotextile and bring to final lift height.

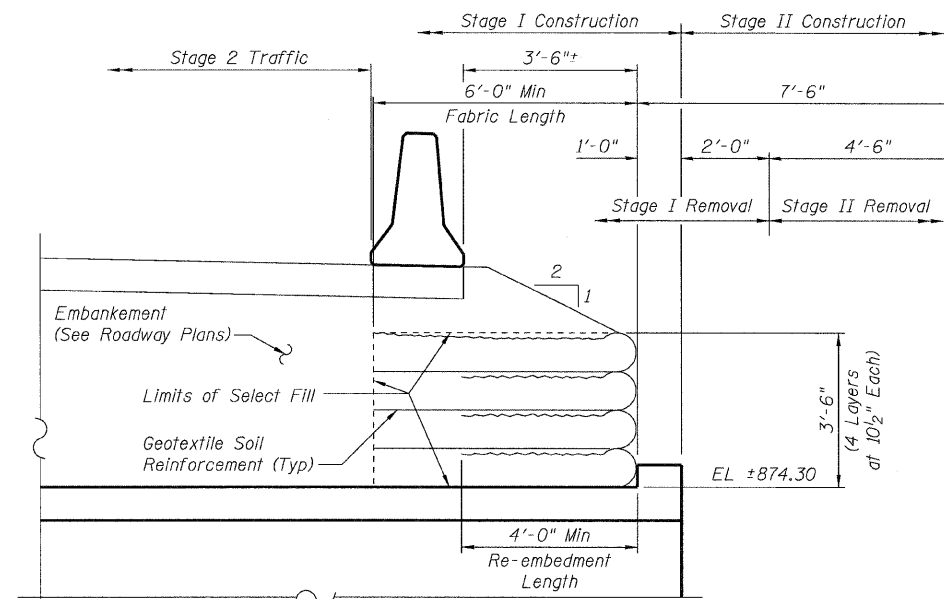
5. Pull form brace outward allowing geotextile face to slightly readjust to form tight round face level with plan reinforcement spacing.



TEMPORARY GEOTEXTILE RETAINING WALL PLAN

LEGEND

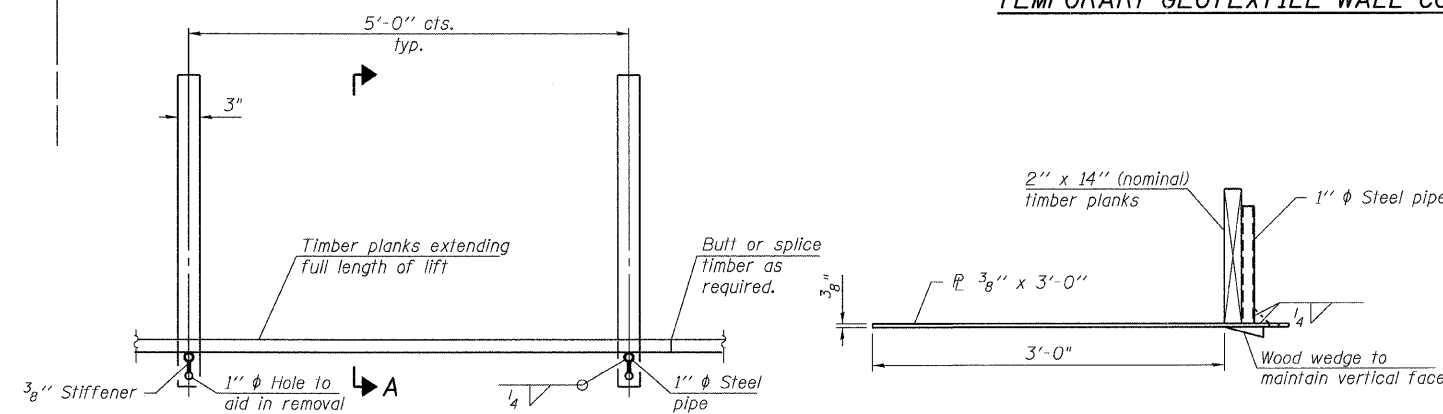
- Limits of Geotextile Retaining Wall
- Temporary Soil Retention System (TSRS)



SECTION A-A

The Geotextile Soil Reinforcement shall have a Minimum allowable tensile (T min) of 0.25 Kip/ft as determined by the procedure described in the Special Provision. The computations supporting the determination of T min. shall be submitted to the engineer for approval.

DESIGNED	- NDR
CHECKED	- DSE
DRAWN	- RTT
CHECKED	- DSE
DATE	- Aug. 5, 2009

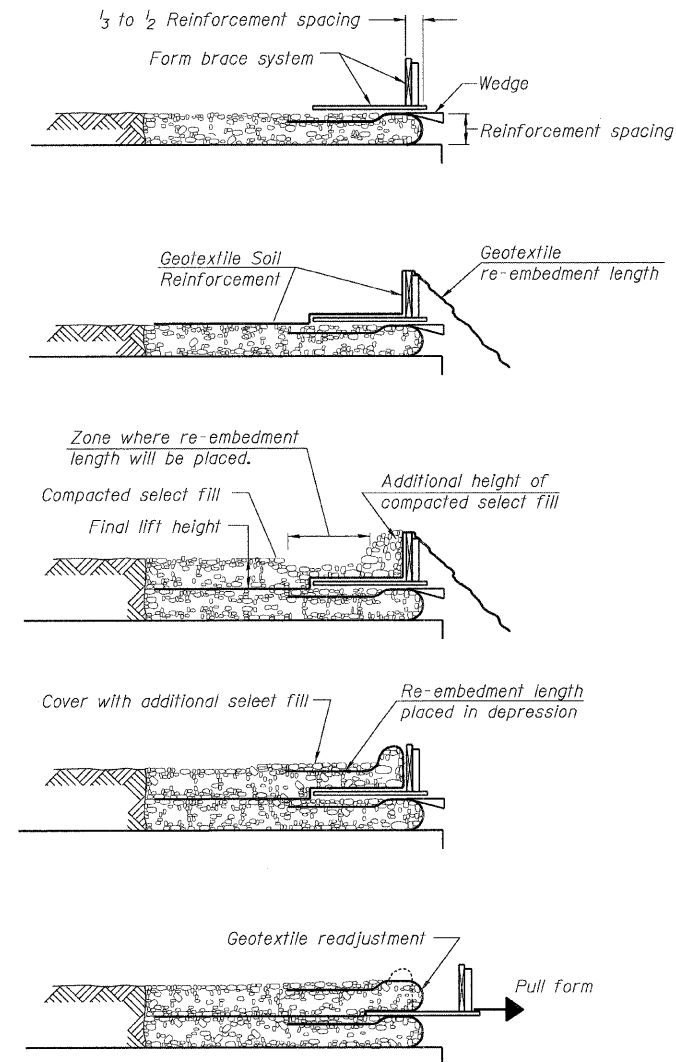


PLAN

SECTION A-A

TEMPORARY GEOTEXTILE FORM BRACE DETAIL

This is a suggested detail, the Contractor is responsible for the design of the form brace system to be used.



TEMPORARY GEOTEXTILE WALL CONSTRUCTION SEQUENCE

**Stanley Consultants INC.**  
8501 West Higgins Road, Suite 730, Chicago, Illinois 60631-2801  
www.stanleyconsultants.com  
Illinois Firm Registration No.: 1184-001533

**CULVERT DETAILS**  
**IL ROUTE 47 OVER**  
**S. BRANCH KISHWAUKEE RIVER**  
**F.A.P. 326 - SECT. (105X & 106)WRS-2**  
**McHENRY COUNTY**  
**STATION 25+24.62**  
**STRUCTURE NO. 056-0085**