

STATE OF ILLINOIS  
DEPARTMENT OF TRANSPORTATION

ROUTE NO.	SECTION	COUNTY	TOTAL SHEETS	SHEET NO.	SHEET NO. 2
FAP 326	★	McHENRY	502	359	4 SHEETS
FED. ROAD DIST. NO. 1	ILLINOIS	FED. AID PROJECT-			

Contract No. 62882  
★(105X & 106) WRS-2

INDEX OF DRAWINGS

Sheet No.	Title
1 of 4	General Plan & Elevation
2 of 4	General Notes & Total Bill of Material
3 of 4	Curb Wall 1 Plan and Elevation
4 of 4	Curb Wall 2 Plan and Elevation

GENERAL NOTES

- Reinforcement bars shall conform to the requirements of ASTM A 706 Gr 60 (IL Modified). See Special Provisions.
- Cover from face of concrete to face of reinforcement bars shall be 2" unless otherwise shown.
- Reinforcing bar bending dimensions are out to out.
- Reinforcement bars designated (E) shall be epoxy coated.
- Reinforcement bar splices shall be in accordance with the following table unless shown otherwise on the drawing.

Minimum Lap

Size	Lap
#4	1'-8"

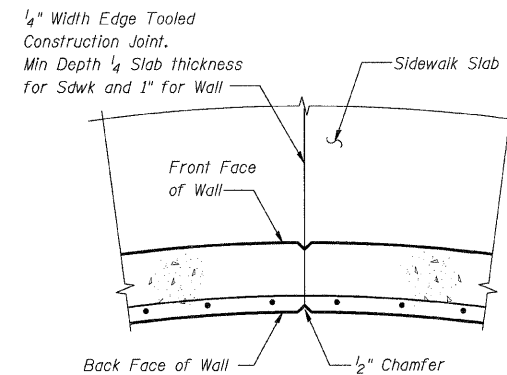
- Construction joints in the curb wall shall match type, size and location of construction joints in the adjacent sidewalk slab and shall be spaced according to the standard specification for Portland Cement Concrete Sidewalk construction.
- Welded Wire Fabric in accordance with material specification 1006.10 shall extend across all construction joints a minimum of 6 inches. Adjacent sections of fabric reinforcement shall be lapped a minimum of 6 inches. This work shall be measured for payment in place and the area computed in square yards.

TOTAL BILL OF MATERIAL

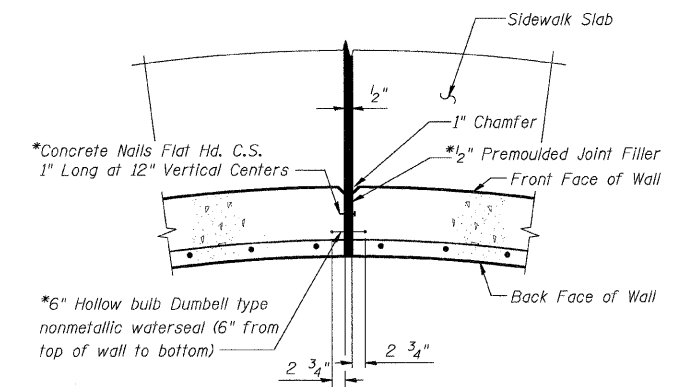
ITEM	UNIT	TOTAL
Reinforcement Bars, Epoxy Coated	Pound	1,230
Welded Wire Fabric, 6 x 6	Sq Yd	304.0
Concrete Structures	Cu Yd	53.0

LEGEND:

ROW = Right of Way

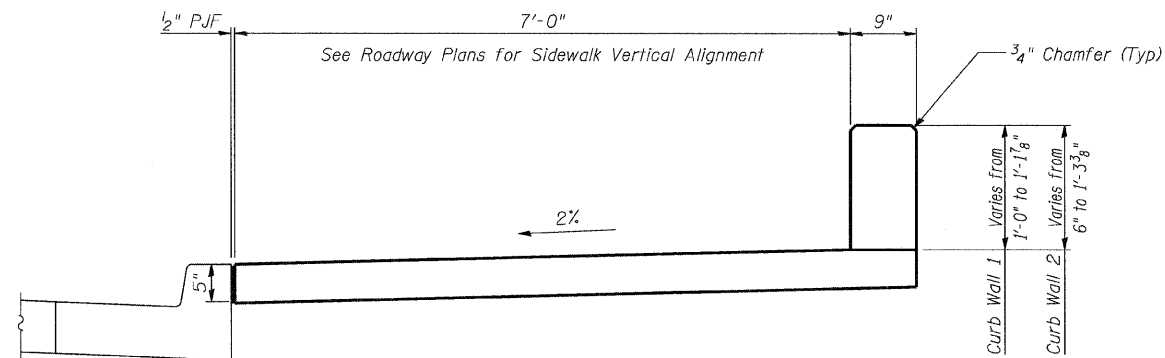


CONSTRUCTION JOINT DETAIL  
(See Note 6)



EXPANSION JOINT DETAIL  
Place Joint Filler in Stem of Wall and Sidewalk  
\* Cost Included With Concrete Structures

RETAINING WALL JOINT DETAILS



TYPICAL SECTION FOR CURB WALL 1 AND 2

DESIGNED	NDR
CHECKED	DSE
DRAWN	RTT
CHECKED	DSE
DATE:	Aug. 5, 2009

**Stanley Consultants INC.**  
8501 West Higgins Road, Suite 730, Chicago, Illinois 60631-2801  
www.stanleyconsultants.com  
Illinois Firm Registration No.: 1184-001533

GENERAL NOTES & TOTAL BILL OF MATERIAL  
IL ROUTE 47  
CURB WALLS 1 AND 2  
F.A.P. 326-SECT.(105X & 106) WRS-2  
McHENRY COUNTY  
STATIONS 109+80.00 & 113+05.00