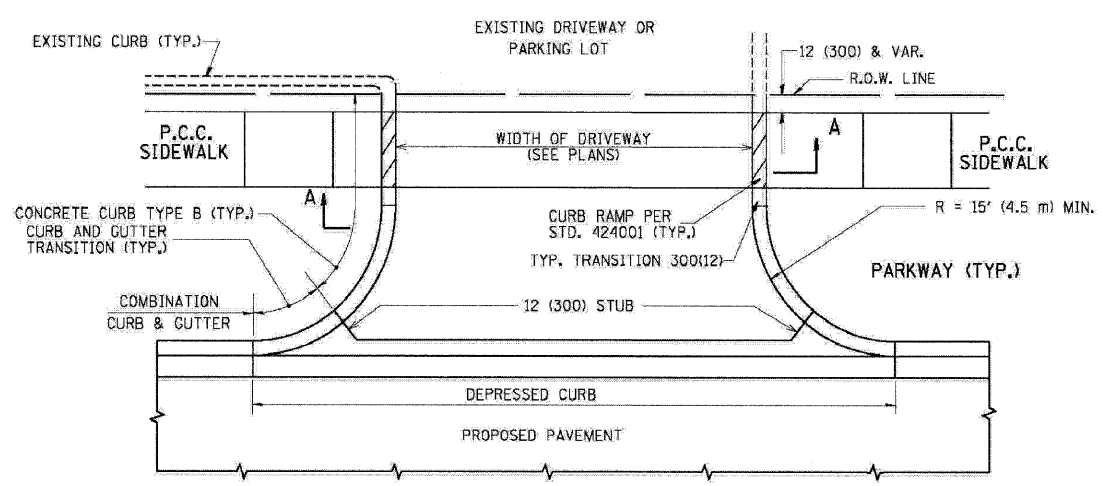
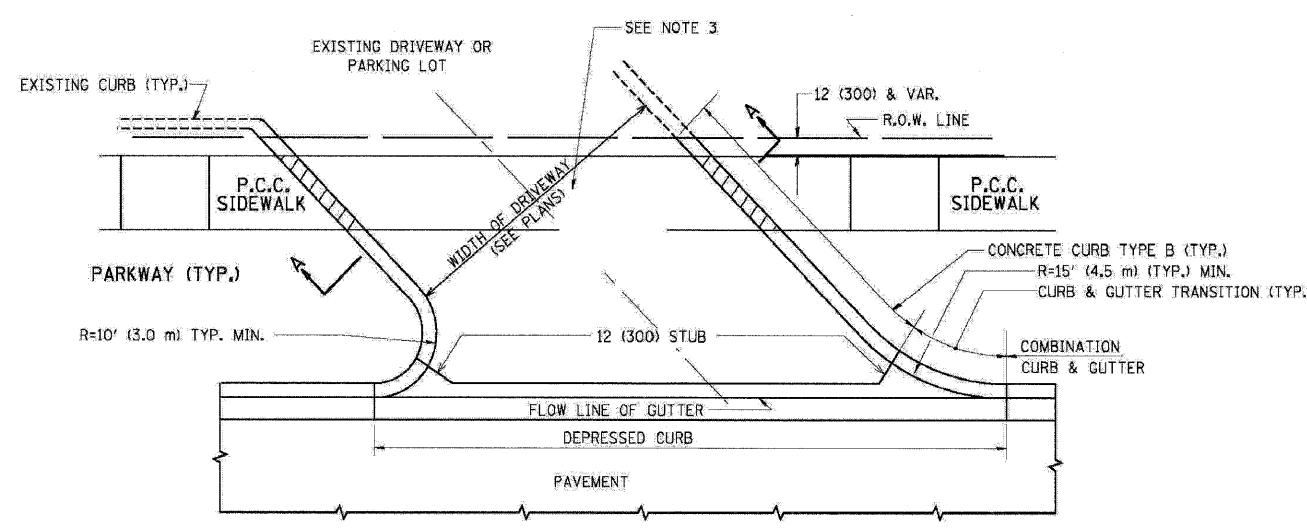


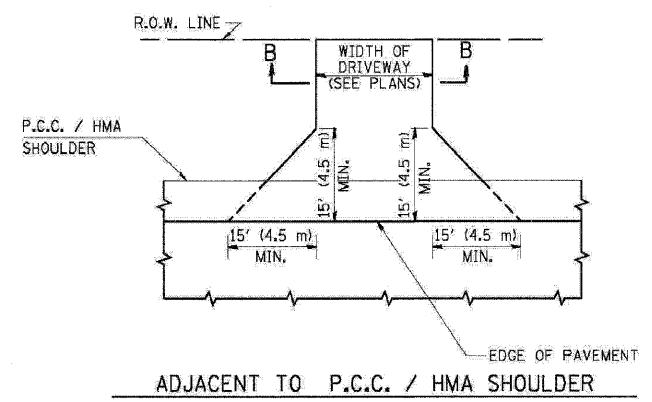
F.A.P. RTE.	SECTION	COUNTY	TOTAL SHEETS	SHEET NO.
326	*	McHENRY	502	362
STA. 9+35.22		TO STA. 142+08.53		
FED. ROAD DIST. NO.		ILLINOIS FED. AID PROJECT		



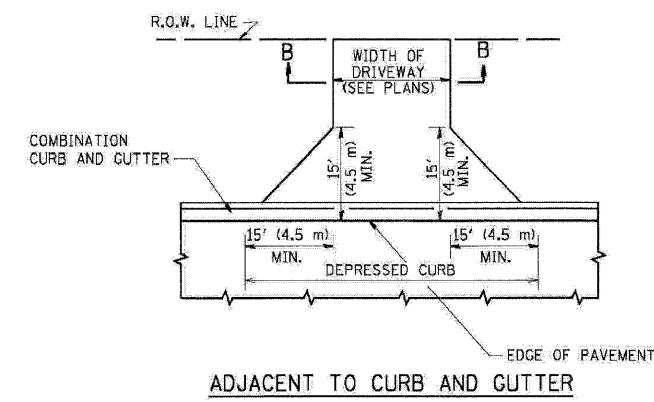
WITH CONCRETE CURB, TYPE B



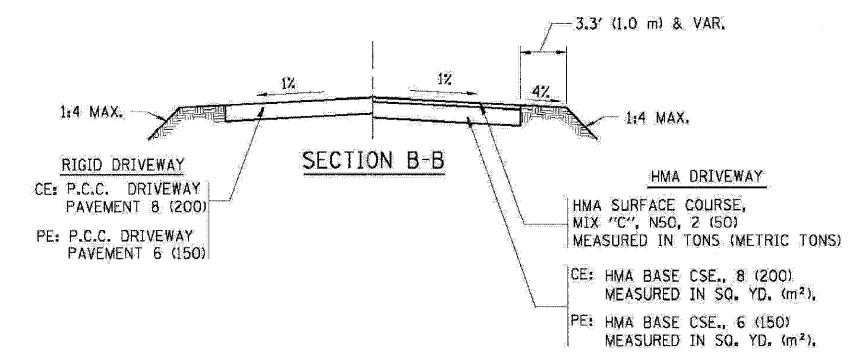
WITH CONCRETE CURB, TYPE B



ADJACENT TO P.C.C. / HMA SHOULDER



ADJACENT TO CURB AND GUTTER



**RURAL FIELD ENTRANCE (FE)**  
 HMA SURFACE COURSE, MIX "C", N50, 2 (50) MEASURED IN TONS (METRIC TONS)  
 CE: HMA BASE CSE., 8 (200) MEASURED IN SQ. YD. (m²)  
 PE: HMA BASE CSE., 6 (150) MEASURED IN SQ. YD. (m²)  
 AGGREGATE BASE CSE., TYPE A B (200) MEASURED IN SQ. YD. (m²).

**GENERAL NOTES:**

DRIVEWAY SLOPES, LOCATIONS, & GEOMETRIC LAYOUT SHALL BE IN ACCORDANCE WITH THE LATEST EDITION OF THE "HANDBOOK FOR POLICY ON PERMITS FOR ACCESS DRIVEWAYS TO STATE HIGHWAYS". FOR FURTHER LAYOUT REQUIREMENTS, REFER TO ILLUSTRATIONS IN THE PERMIT HANDBOOK. DRIVEWAYS SHALL BE REPLACED IN KIND, UNLESS OTHERWISE NOTED ON THE PLANS.

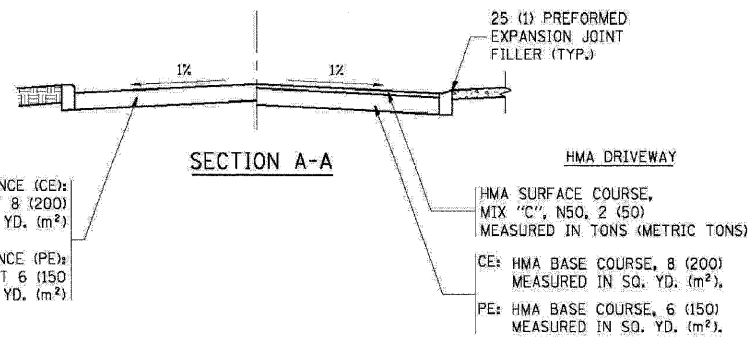
COMMERCIAL DRIVEWAYS SHALL BE CONSTRUCTED WITH CONCRETE CURB, TYPE B RETURNS EXCEPT WHEN THE SIDEWALK EDGE IS 4 FEET (1.2 METERS) OR LESS FROM THE BACK OF CURB, CONSTRUCT A FLARE DRIVEWAY WITHOUT CURB.

THE RESIDENT ENGINEER SHALL CONTACT THE TRAFFIC PERMIT OFFICE AT 847/ 705-4131 FOR ANY QUESTIONS ON DRIVEWAYS SHOWN IN THE PLANS; SPECIFICALLY IN REFERENCE TO ADDITIONAL AND/OR RELOCATION/REMOVAL OF A DRIVEWAY.

COMBINATION CONCRETE CURB & GUTTER SHALL BE MEASURED STRAIGHT ACROSS THE DRIVEWAY. NO ADDITIONAL COMPENSATION WILL BE ALLOWED FOR THE CURB & GUTTER TRANSITION.

1 (25) PREFORMED EXPANSION JOINT FILLER WILL NOT BE PAID SEPARATELY, BUT SHALL BE CONSIDERED INCLUDED IN THE COST OF THE P.C.C. DRIVEWAY PAVEMENT OR P.C.C. SIDEWALK.

WHEN THE P.C.C. SIDEWALK EXTENDS THROUGH THE DRIVEWAY, THE THICKNESS OF THE SIDEWALK IN THE DRIVEWAY AREA SHALL BE THE SAME AS THE DRIVEWAY THICKNESS. SIDEWALK WILL BE PAID FOR AS P.C.C. SIDEWALK OF THE THICKNESS SPECIFIED. SIDEWALK CROSS SLOPE THRU DRIVEWAY AREA TO BE A MAXIMUM OF 1:50.



**RIGID DRIVEWAY**  
 COMMERCIAL ENTRANCE (CE): P.C.C. DRIVEWAY PAVEMENT 8 (200) MEASURED IN SQ. YD. (m²)  
 NON-COMMERCIAL ENTRANCE (PE): P.C.C. DRIVEWAY PAVEMENT 6 (150) MEASURED IN SQ. YD. (m²)

**HMA DRIVEWAY**  
 HMA SURFACE COURSE, MIX "C", N50, 2 (50) MEASURED IN TONS (METRIC TONS)  
 CE: HMA BASE COURSE, 8 (200) MEASURED IN SQ. YD. (m²)  
 PE: HMA BASE COURSE, 6 (150) MEASURED IN SQ. YD. (m²)

ALL DIMENSIONS ARE IN INCHES (MILLIMETERS) UNLESS OTHERWISE NOTED

REVISIONS	
NAME	DATE
R. SHAH	11-04-95
J. POLLASTRINI	08-12-96
J. POLLASTRINI	12-14-96
A. ABBAS	03-21-97
T. HOLTZ	04-08-97
M. GOMEZ	04-06-01
P. LIGFLEUR	04-15-03
R. BORO	01-01-07

ILLINOIS DEPARTMENT OF TRANSPORTATION  
**DRIVEWAY DETAILS**  
 DISTANCE BETWEEN R.O.W. AND FACE OF CURB & EDGE OF SHOULDER >= 15' (4.5 m)

SCALE: VERT. NONE HORIZ. DRAWN BY CHECKED BY

PLOT DATE = Wednesday, August 05, 2009  
 FILE NAME = S:\11-CADD\11-m13362.dwg  
 PLOT SCALE = 1:1  
 USER NAME = 3636  
 PLOT DATE = 4/11/2007  
 FILE NAME = g:\projects\states\abell.dgn  
 PLOT SCALE = 4:5000 7/7 IN.  
 USER NAME = g:\projects\states\abell.dgn