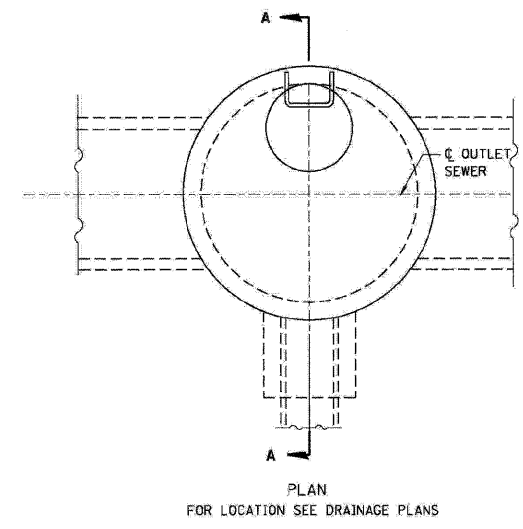
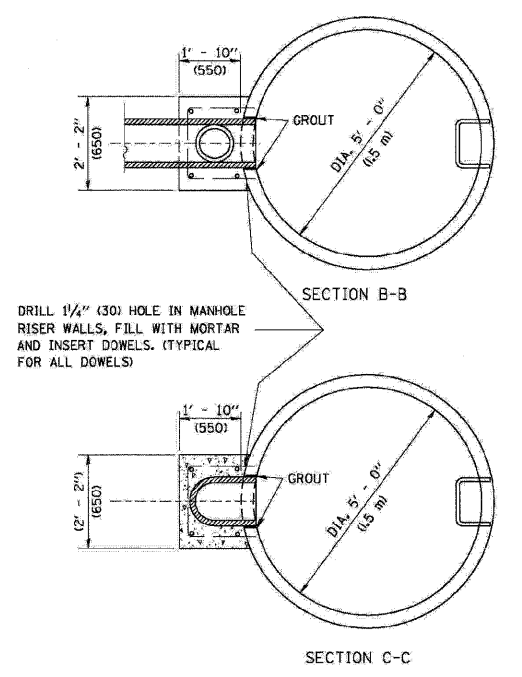
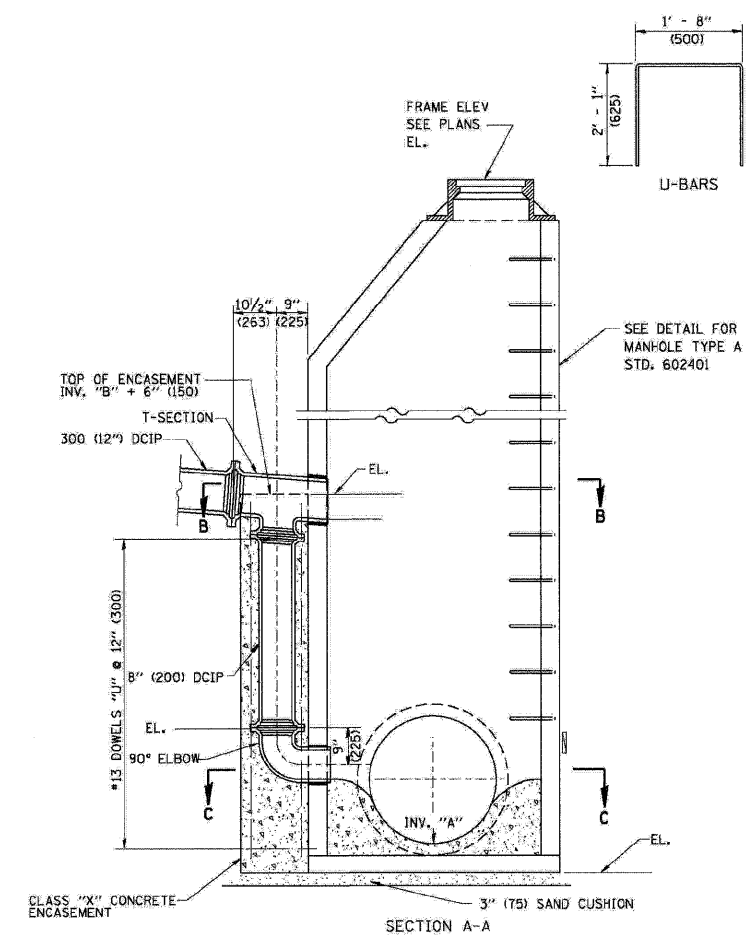


F.A.P. RTE.	SECTION	COUNTY	TOTAL SHEETS	SHEET NO.
326	*	McHENRY	502	366A
STA. 9+35.22		TO STA.142+08.53		
FED. ROAD DIST. NO.		ILLINOIS	FED. AID PROJECT	



ENCASEMENT DETAILS	
DROP M.H. LOCATION STA., OFFSET	
INV. "A"	
INLET PIPE	
INV. "B"	
INV. "C"	
A	
B	
"V" BAR LENGTH	
NO. OF "U" BARS	
REINF. BARS	
CLASS "SI" CONC.	
CUBIC METER (CU. YD.)	



- TYPE A1-1 MANHOLE WITH 1 DROP AND DEPTH UP TO 10' (3 m)
- TYPE A1-2 " " 1 " " " FROM 10' TO 15' (3 m TO 1.5 m)
- TYPE A1-3 " " 1 " " " FROM 15' TO 20' (1.5 m TO 6 m)
- TYPE A1-4 " " 1 " " " OVER 20' (6 m)

- TYPE A2-1 MANHOLE WITH 2 DROPS AND DEPTH UP TO 10' (3 m)
- TYPE A2-2 " " 2 " " " FROM 10' TO 15' (3 m TO 1.5 m)
- TYPE A2-3 " " 2 " " " FROM 15' TO 20' (1.5 m TO 6 m)
- TYPE A2-4 " " 2 " " " OVER 20' (6 m)

REVISIONS	
NAME	DATE
	10/18/02

ALL DIMENSIONS ARE IN INCHES (MILLIMETERS) UNLESS OTHERWISE SHOWN

ILLINOIS DEPARTMENT OF TRANSPORTATION
DROP MANHOLE DETAILS

SCALE: VERT. NONE
HORIZ. NONE
DRAWN BY
CHECKED BY

PLOT DATE = Friday, August 07, 2009
FILE NAME = S:\IT-CADD\07-08\14366A.tbl\6.dgn
PLOT SCALE = 1/1
USER NAME = 3838

37
tbl.tbl.dgn
1/1 IN.