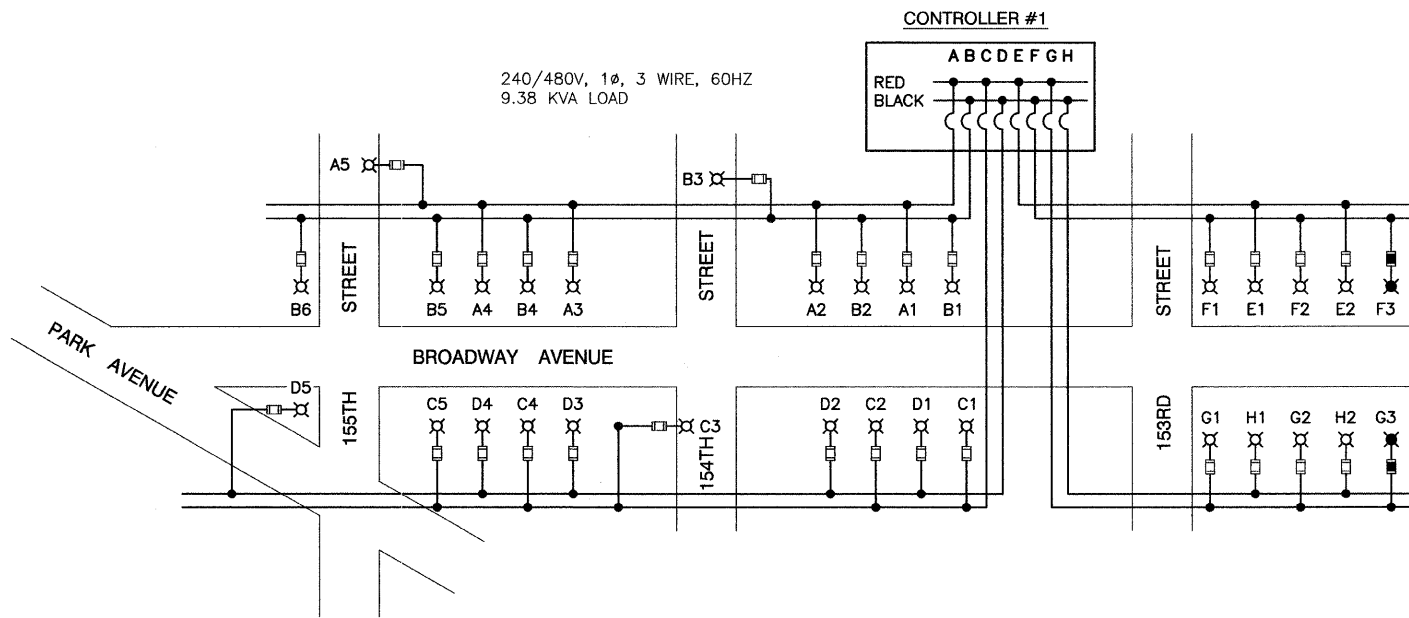
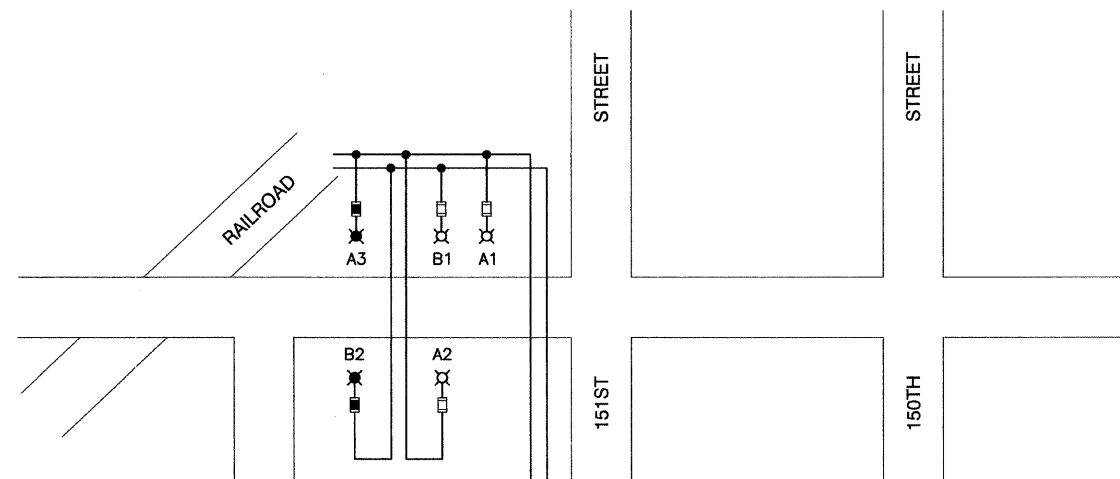
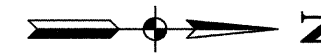


DATE	
BY	
REVISIONS	
PLANNED	
ALIGNED	
CHECKED	
NOTED	
FILE NAME	
NO.	

DATE	
BY	
REVISIONS	
PLANNED	
ALIGNED	
CHECKED	
NOTED	
FILE NAME	
NO.	

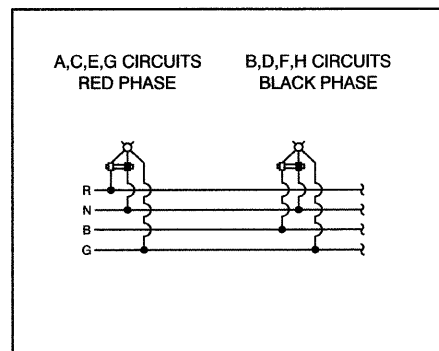


CIRCUIT	WATTS	AMPS @ 240V	
		RED PHASE	BLACK PHASE
A	1,350	6.00	
B	1,620		7.20
C	1,350	6.00	
D	1,350		6.00
E	540	2.40	
F	845		3.70
G	845	3.70	
H	540		2.40
SUBTOTAL	8,440	18.10	19.30
TOTAL AMPS @ 240 V		37.40	



CIRCUIT	WATTS	AMPS @ 240V	
		RED PHASE	BLACK PHASE
A	671	2.90	
B	488		2.10
C	0	0.00	
D	0		0.00
SUBTOTAL	1,159	2.90	2.10
TOTAL AMPS @ 240 V		5.00	

TYPICAL POLE WIRING



- LEGEND**
- ⊗ LUMINAIRE, 150W HPS, 240V WITH COACH LIGHT, 70W HPS, 240V
 - ⊗ LUMINAIRE, 250W HPS, 240V
 - FUSE, 3.0 AMP
 - FUSE, 3.5 AMP
 - A1 LUMINAIRE CIRCUIT
 - ⌋ CIRCUIT BREAKER
 - CONNECTION



FILE NAME = 09307-DTLS-01	USER NAME =	DESIGNED -- DWS	REVISIONS --	STATE OF ILLINOIS DEPARTMENT OF TRANSPORTATION	BROADWAY AVENUE STREET LIGHTING PARK AVENUE TO 151ST STREET (SIBLEY BOULEVARD) SINGLE LINE WIRING DIAGRAM	F.A.U. RTE. 1025	SECTION 09-00182-00-LT	COUNTY COOK	TOTAL SHEETS 10	SHEET NO. 5		
PLOT SCALE = N/A	DRAWN -- MJD	CHECKED -- EJT	REVISIONS --			SCALE: N/A	SHEET NO. 5 OF 10 SHEETS	STA. N/A	TO STA. N/A	CONTRACT NO. 63286		
PLOT DATE = 10-19-09	CHECKED -- PAP	REVISIONS --	REVISIONS --			FED. ROAD DIST. NO. 1 ILLINOIS			FED. AID PROJECT ARA-9003 (333)			