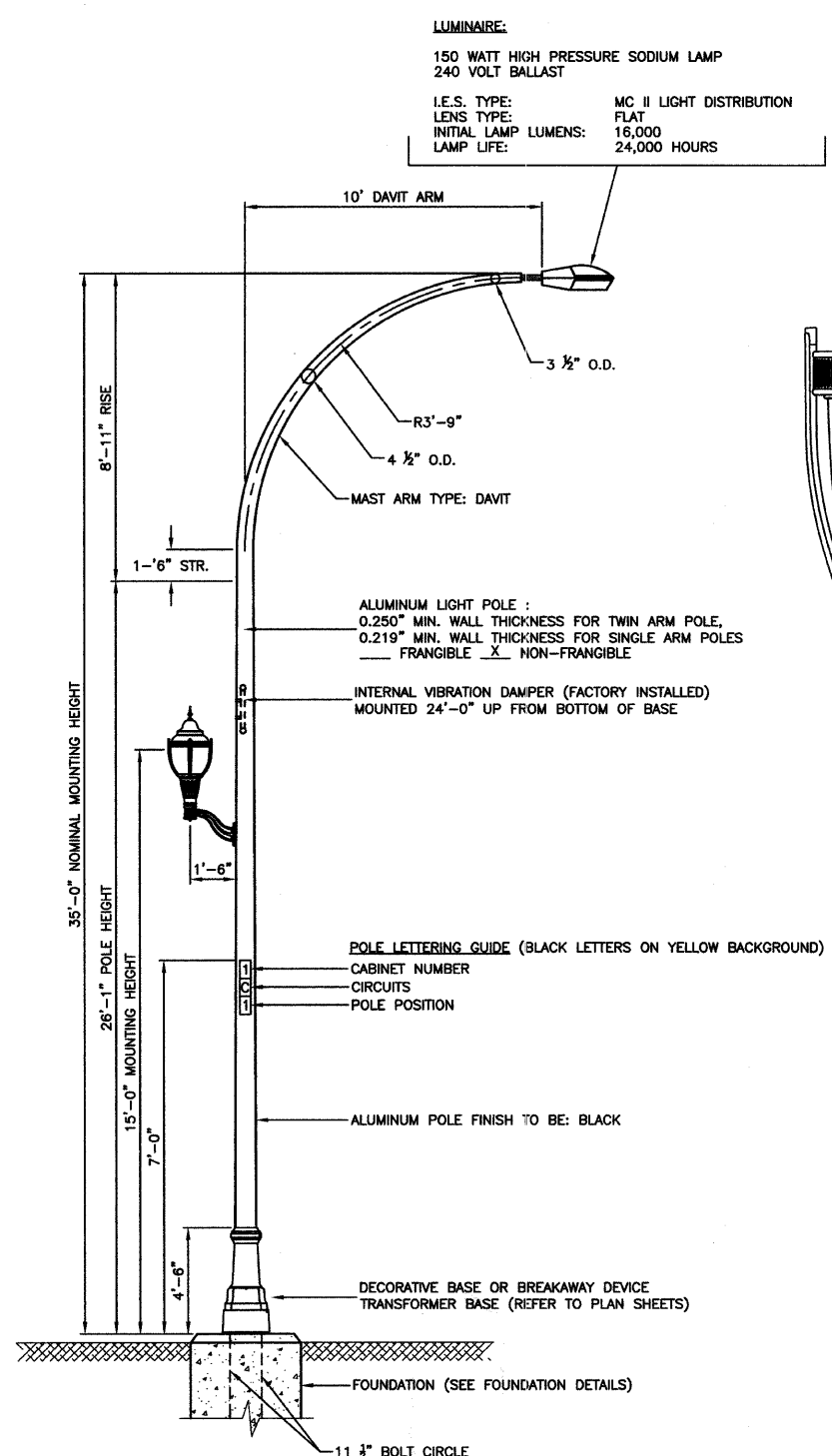


DATE	
BY	
REVISIONS	
PLANNED	
ALIGNED	
CHECKED	
NO. _____	DATE _____
NOTE BOOK	
NO.	
FILE NAME	

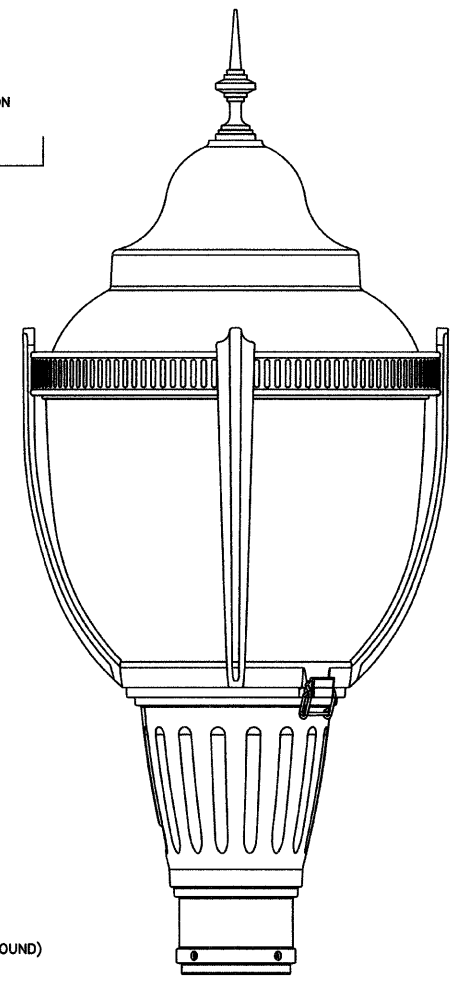
DATE	
BY	
REVISIONS	
PLANNED	
GRADES	
CHECKED	
NO. _____	DATE _____
NOTE BOOK	
NO.	
FILE NAME	



- NOTES:**
1. THE LIGHTING UNITS SHALL MEET AASHTO DESIGN CRITERIA. DESIGN FOR 90 M.P.H. WIND WITH 30% GUST AND 75 POUND LUMINAIRE HAVING AN E.P.A. OF 1.6 SQ.FT. AND PROPER ICE LOADING.
  2. ALUMINUM ALLOY 6063-T6 SHALL BE USED.

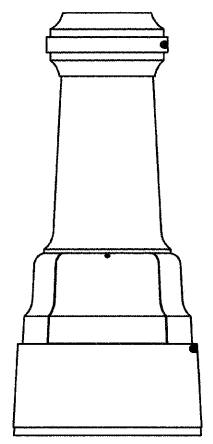
**TYPICAL POLE INSTALLATION  
HARVEY - BROADWAY AVENUE**

**LUMINAIRE:**  
150 WATT HIGH PRESSURE SODIUM LAMP  
240 VOLT BALLAST  
I.E.S. TYPE: MC II LIGHT DISTRIBUTION  
LENS TYPE: FLAT  
INITIAL LAMP LUMENS: 16,000  
LAMP LIFE: 24,000 HOURS



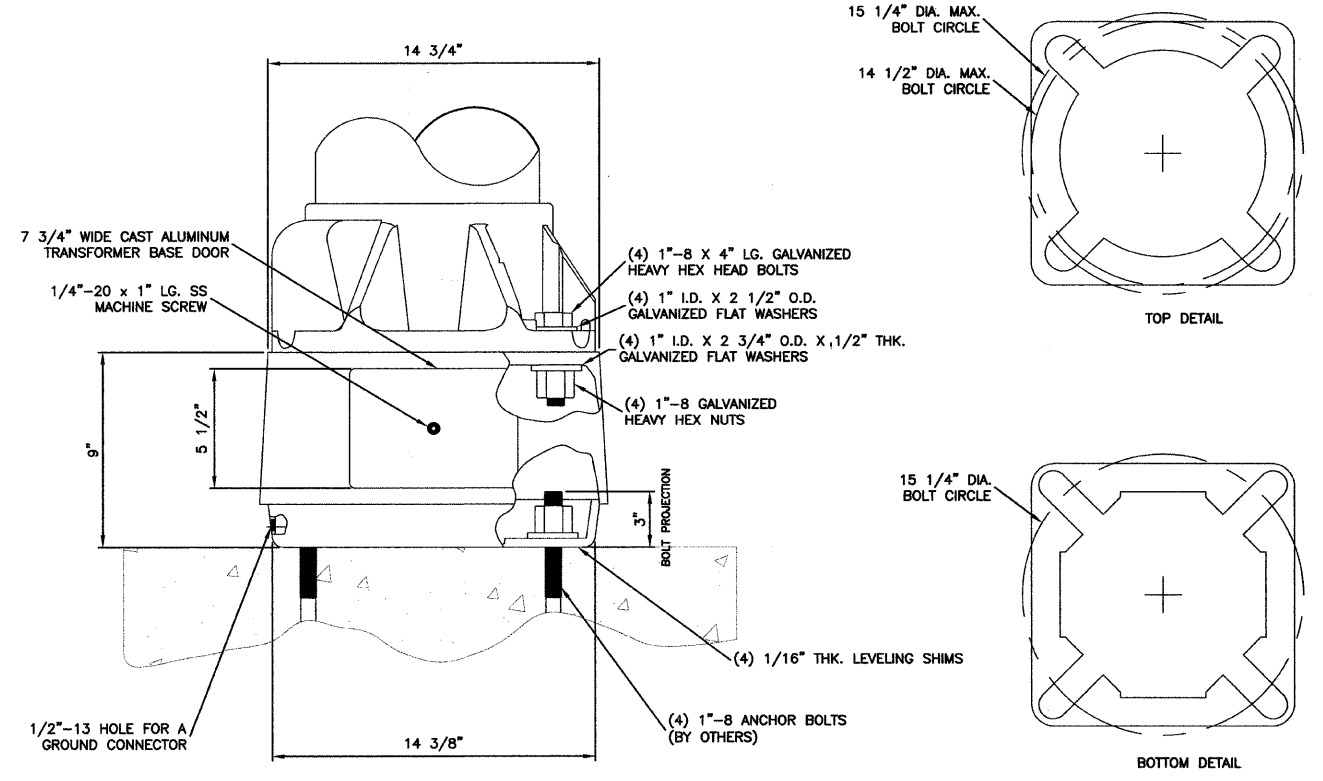
**DETAIL OF COACH LIGHT  
\*OR APPROVED EQUAL**

**LUMINAIRE:**  
70 WATT HIGH PRESSURE SODIUM LAMP  
240 VOLT BALLAST  
I.E.S. TYPE: SC III LIGHT DISTRIBUTION  
LENS TYPE: ACRYLIC DR  
INITIAL LAMP LUMENS: 5,950  
LAMP LIFE: 24,000 HOURS

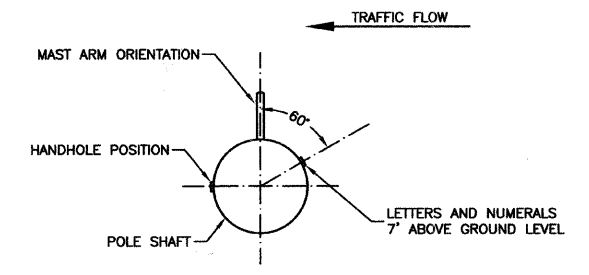


**DETAIL OF BASE OF LIGHT POLE  
\*OR APPROVED EQUAL**

**IMPORTANT NOTE:**  
TRANSFORMER BASE AND LIGHTPOLE  
TO BE LEVELED AS ONE UNIT. USING  
LEVELING SHIMS IF REQUIRED.



**BREAKAWAY TRANSFORMER BASE DETAIL**



**POSITION OF HANDHOLE AND  
NUMERALS ON POLE**



FILE NAME = 09307-DTLS-01	USER NAME =	DESIGNED -- DWS	REVISIONS --	<b>STATE OF ILLINOIS DEPARTMENT OF TRANSPORTATION</b>	<b>BROADWAY AVENUE STREET LIGHTING PARK AVENUE TO 151ST STREET (SIBLEY BOULEVARD) STREET LIGHTING DETAILS</b>	F.A.U. RTE. 1025	SECTION 09-00182-00-LT	COUNTY COOK	TOTAL SHEETS 10	SHEET NO. 6	
PLOT SCALE = N/A	DRAWN -- MJD	CHECKED -- EJT	REVISIONS --			CONTRACT NO. 63286					
PLOT DATE = 10-19-09	CHECKED -- PAP	DRAWN -- MJD	REVISIONS --			SCALE: N/A SHEET NO. 6 OF 10 SHEETS STA. N/A TO STA. N/A					
						FED. ROAD DIST. NO. 1 ILLINOIS FED. AID PROJECT ARA-9003 (333)					