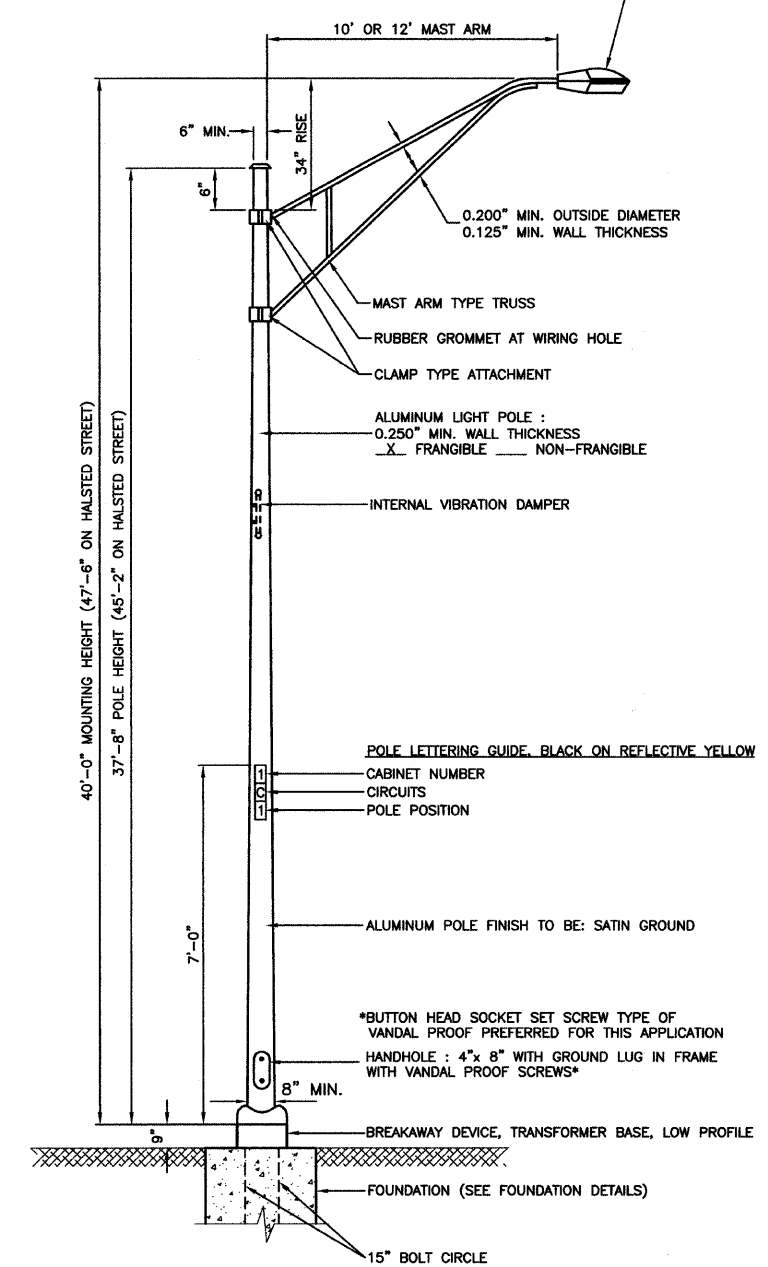


<b>LUMINAIRE:</b>		<b>LUMINAIRE:</b>	
400 WATT HIGH PRESSURE SODIUM LAMP 240 VOLT BALLAST		250 WATT HIGH PRESSURE SODIUM LAMP 240 VOLT BALLAST	
I.E.S. TYPE:	MC III LIGHT DISTRIBUTION, FULL CUTOFF	OR	MC III LIGHT DISTRIBUTION, FULL CUTOFF
LENS TYPE:	FLAT		FLAT
INITIAL LAMP LUMENS:	50,000		28,000
LAMP LIFE:	24,000 HOURS		24,000 HOURS

**IMPORTANT NOTE:**  
TRANSFORMER BASE AND LIGHTPOLE  
TO BE LEVELED AS ONE UNIT. USING  
LEVELING SHIMS IF REQUIRED.

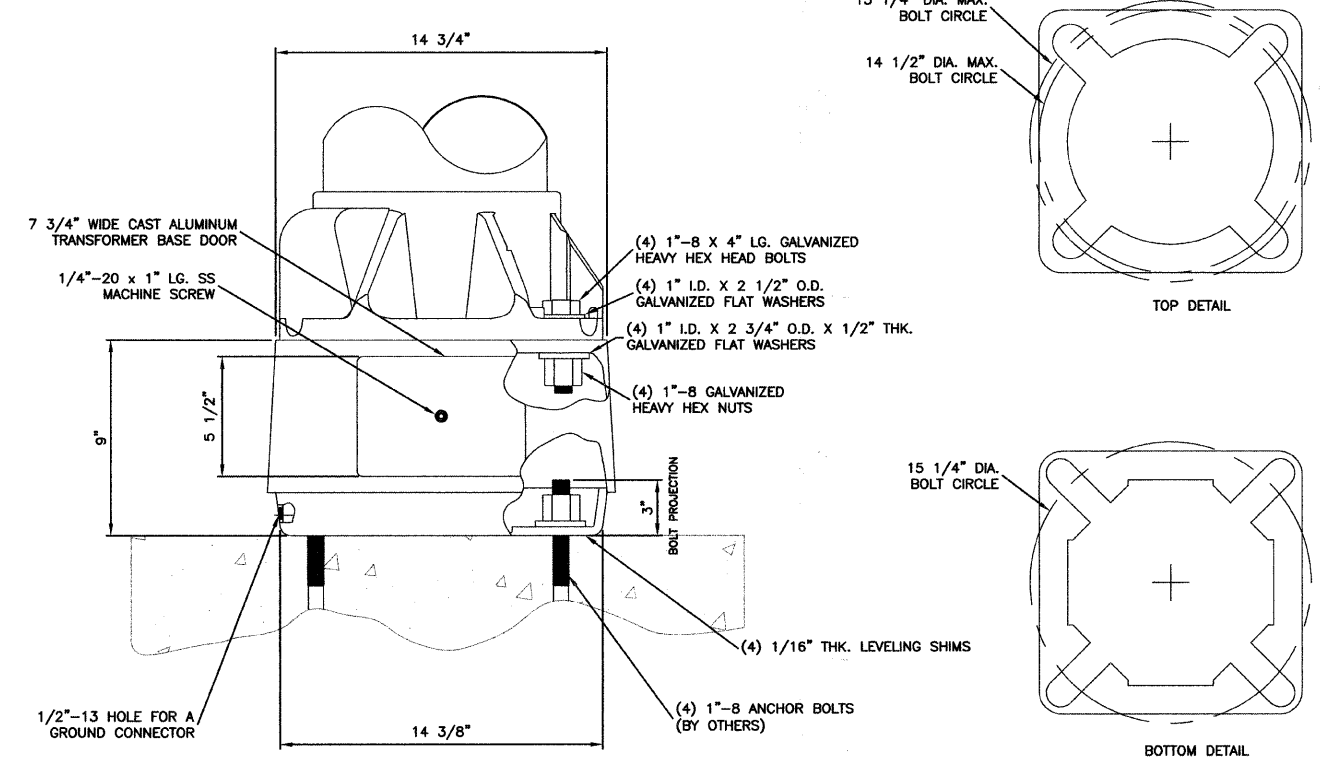
DATE	
BY	
REVISIONS	
PLOTTED	
ALIGNED	
CHECKED	
NO. _____	DATE _____
PLAN	
NOTE BOOK	
NO. _____	FILE NAME _____

DATE	
BY	
REVISIONS	
PLOTTED	
GRADES	
CHECKED	
NO. _____	DATE _____
PROFILE	
NOTE BOOK	
NO. _____	FILE NAME _____

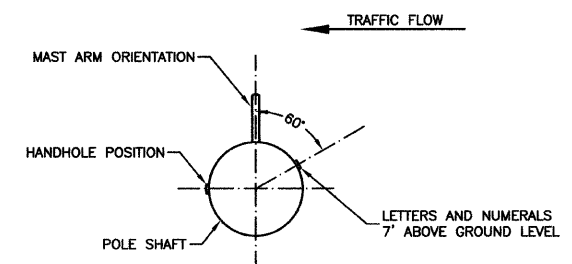
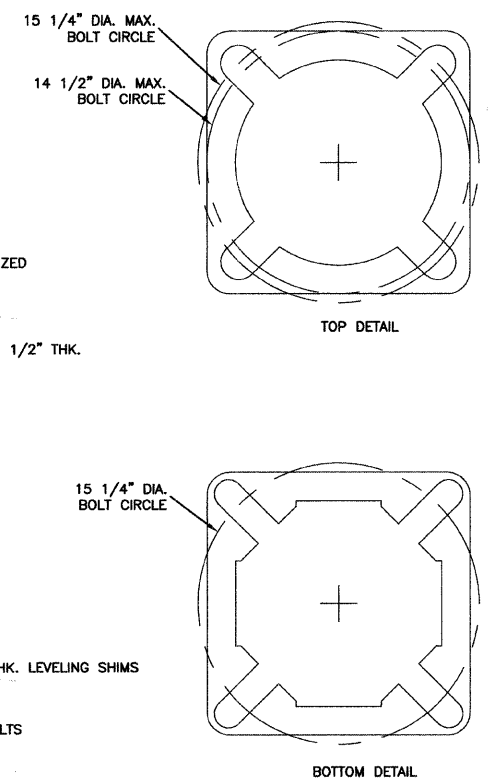


- NOTES:**
1. THE LIGHTING UNITS SHALL MEET AASHTO DESIGN CRITERIA. DESIGN FOR 90 M.P.H. WIND WITH 30% GUST AND 75 POUND LUMINAIRE HAVING AN E.P.A. OF 1.6 SQ. FT. AND PROPER ICE LOADING.
  2. ALUMINUM ALLOY 6063-T6 SHALL BE USED.
  3. LIGHT POLE AND ASSOCIATED EQUIPMENT TO BE U.L. LISTED

**TYPICAL POLE INSTALLATION**



**BREAKAWAY TRANSFORMER BASE DETAIL**



**POSITION OF HANDHOLE AND NUMERALS ON POLE**

FILE NAME = 09309-DT1S-01 - P02	USER NAME =	DESIGNED -- DWS	REVISED --	<b>STATE OF ILLINOIS DEPARTMENT OF TRANSPORTATION</b>	<b>138TH STREET STREET LIGHTING STREET LIGHTING DETAILS</b>				F.A.U. RTE.	SECTION	COUNTY	TOTAL SHEETS	SHEET NO.
	PLOT SCALE = N/A	CHECKED -- EJT	REVISED --		SCALE: N/A	1597	09-00119-00-LT	COOK	12	8			
	PLOT DATE = 10-15-09	DRAWN -- MJD	REVISED --		SHEET NO. 8 OF 12 SHEETS	STA. N/A	TO STA. N/A	CONTRACT NO. 63287		FED. ROAD DIST. NO. 1	ILLINOIS	FED. AID PROJECT ARA - 9003 (334)	
		CHECKED -- PAP	REVISED --										

