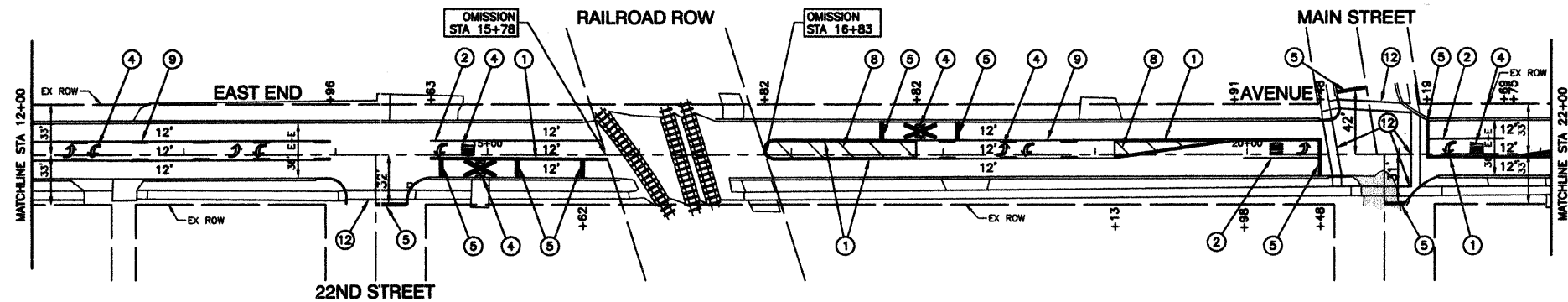
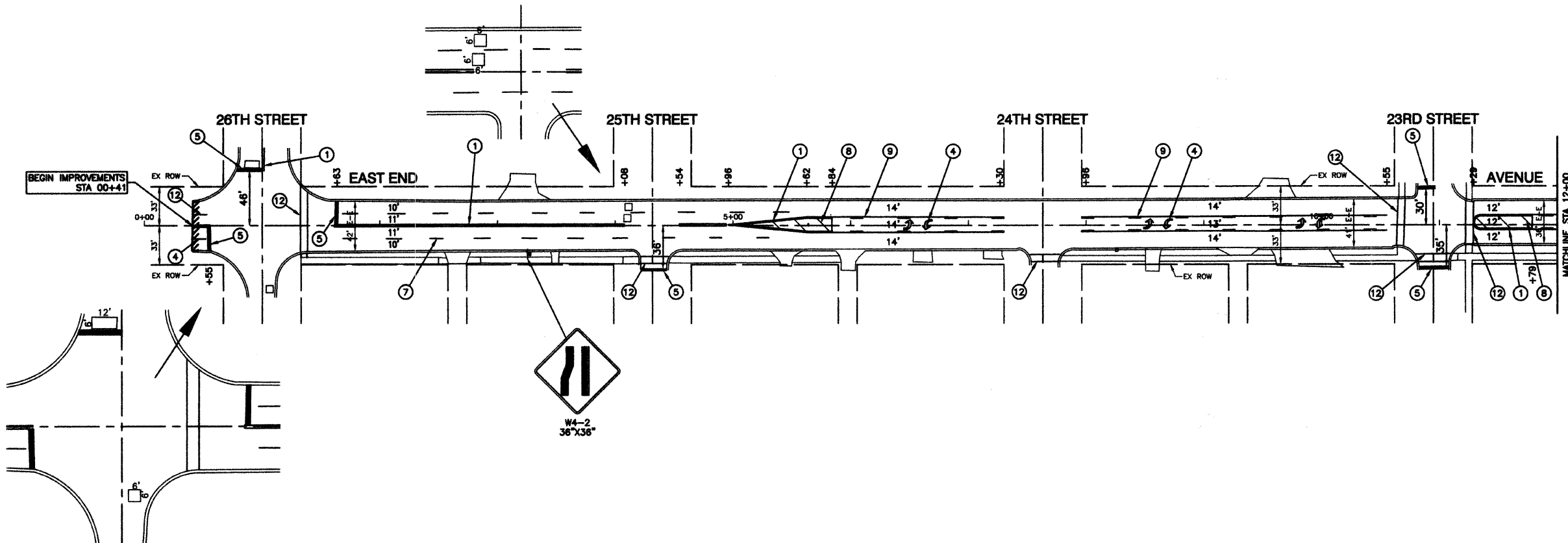




DATE	BY
DESIGNED	MPN
CHECKED	JMN
PLANNED	PS, MJD
NOTED	JMN
FILE NAME	06173_01-PLAN-01 - IDOT PMK001

DATE	BY
DESIGNED	MPN
CHECKED	JMN
PLANNED	PS, MJD
NOTED	JMN
FILE NAME	06173_01-PLAN-01 - IDOT PMK001



**STRIPING LEGEND**

- ① THERMOPLASTIC PAVEMENT MARKING - LINE 4" (DOUBLE YELLOW)
- ② THERMOPLASTIC PAVEMENT MARKING - LINE 6" (WHITE TURN LANE)
- ③ THERMOPLASTIC PAVEMENT MARKING - LINE 6" (WHITE TURN LANE SKIP DASH, 2' DASH, 6' SKIP)
- ④ THERMOPLASTIC PAVEMENT MARKING - LETTERS AND SYMBOLS
- ⑤ THERMOPLASTIC PAVEMENT MARKING - LINE 24" (WHITE STOP BAR)
- ⑥ THERMOPLASTIC PAVEMENT MARKING - LINE 12" (WHITE CROSSWALK)
- ⑦ THERMOPLASTIC PAVEMENT MARKING - LINE 4" (WHITE LANE LINE, 10' LINE, 30' SKIP)
- ⑧ THERMOPLASTIC PAVEMENT MARKING - LINE 12" (YELLOW DIAGONAL, 20' C-C)
- ⑨ THERMOPLASTIC PAVEMENT MARKING - LINES 4" (YELLOW LANE LINES, 5 1/2" C-C WITH SKIP DASH LINE, 10' LINE, 30' SKIP)
- ⑩ THERMOPLASTIC PAVEMENT MARKING - LINE 4" (WHITE PARKING LINE)
- ⑪ THERMOPLASTIC PAVEMENT MARKING - LINE 8" (WHITE MEDIAN OUTLINE)
- ⑫ THERMOPLASTIC PAVEMENT MARKING - LINE 6" (WHITE CROSS WALK)
- ⑬ THERMOPLASTIC PAVEMENT MARKING - LINE 12" (WHITE DIAGONAL, 20' C-C)
- ▴ TRAFFIC SIGN

FILE NAME = 06173_01-PLAN-01 - IDOT PMK001	USER NAME =	DESIGNED - MPN	REVISED -
		CHECKED - JMN	REVISED -
	PLOT SCALE = 1"=50'	DRAWN - PS, MJD	REVISED -
	PLOT DATE = 10-16-09	CHECKED - JMN	REVISED -

STATE OF ILLINOIS  
DEPARTMENT OF TRANSPORTATION

LOCAL AGENCY PAVEMENT PRESERVATION EAST END AVENUE STRIPING PLAN		F.A.U. RTE. 2887	SECTION 08-00225-00-RS	COUNTY COOK	TOTAL SHEETS 18	SHEET NO. 7
SCALE: 1"=50'		SHEET NO. 7 OF 18 SHEETS		STA. 0+41 TO STA. 22+00		FED. ROAD DIST. NO. 1 ILLINOIS FED. AID PROJECT ARA-9003(337)

CONTRACT NO. 63314