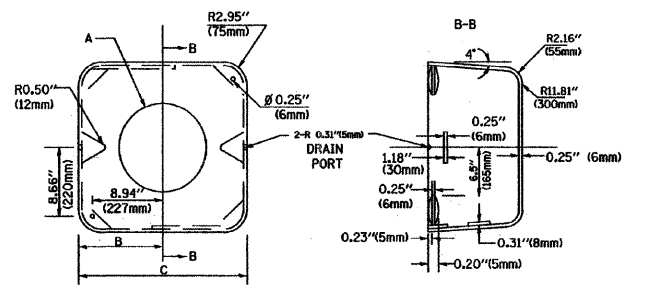
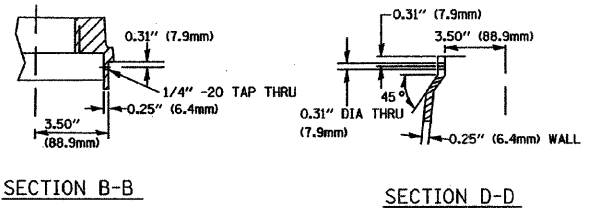
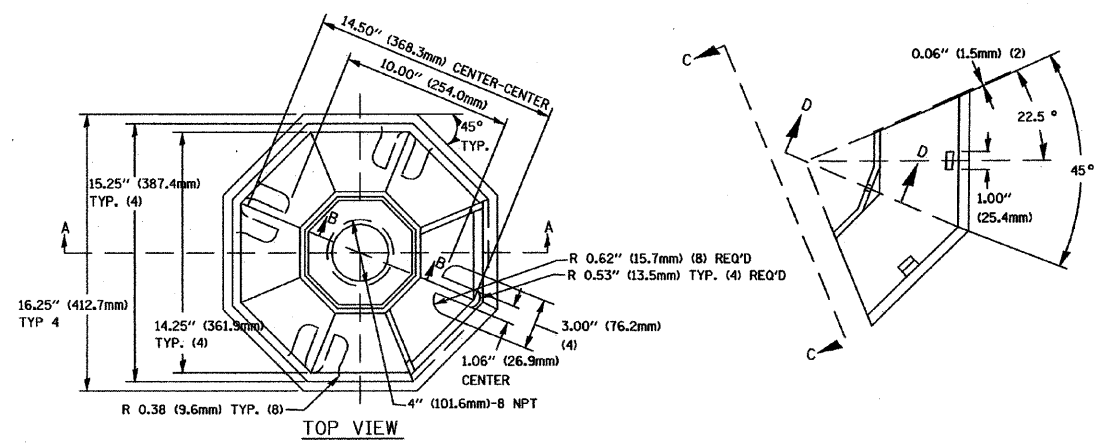
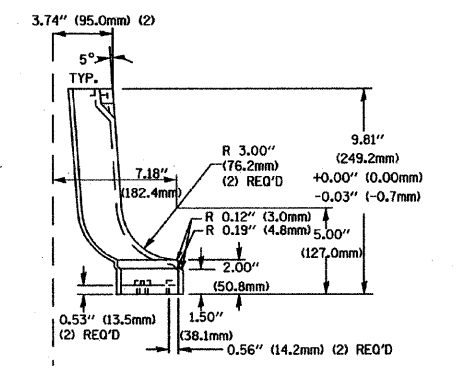
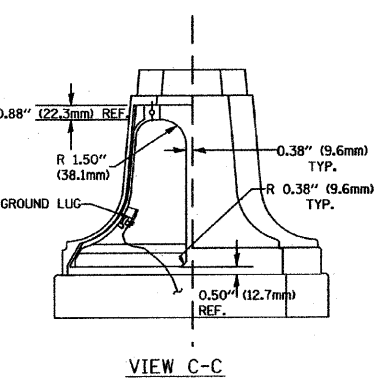
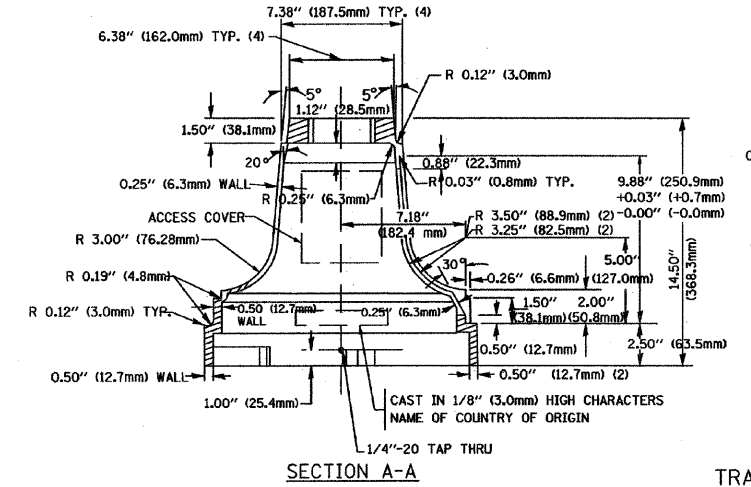


F.A.U. R.T.E.	SECTION	COUNTY	TOTAL SHEETS	SHEET NO.
1638*	**	WILL	38	19
STA.		TO STA.		
FED. ROAD DIST. NO. -		ILLINOIS	FED. AID PROJECT	
CONTRACT NO. 63316		* EXCHANGE STREET ** 09-00044-01-TL		

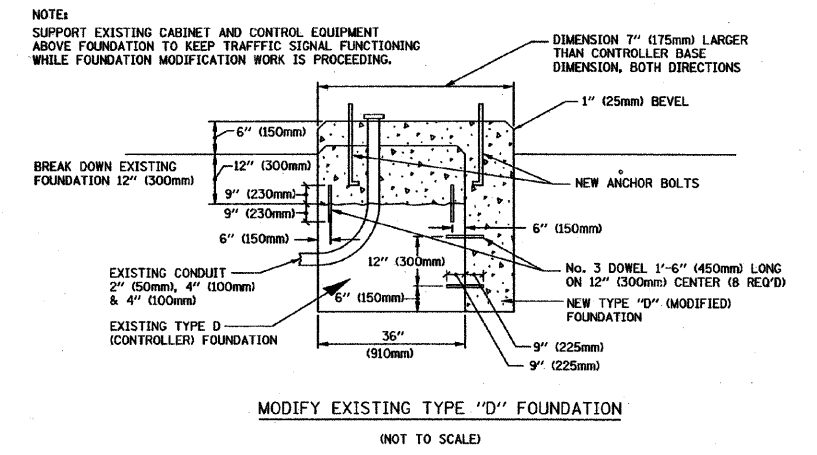


TYPE	A	B	C	HEIGHT	WEIGHT
I	10.125\"	9.5\"	19\"	12\"	24kg
II	11.125\"	10.75\"	21.5\"	12\"	26kg

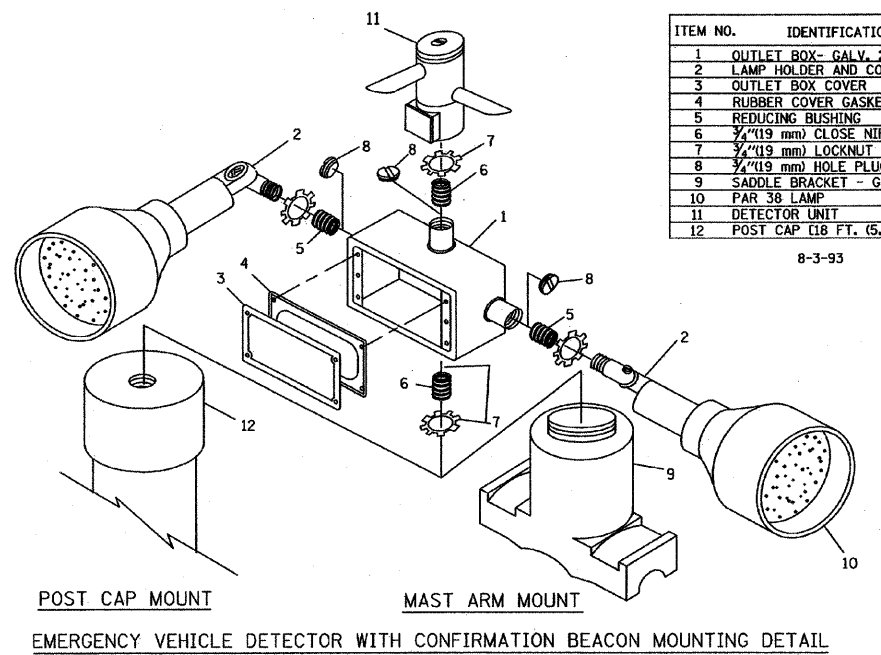
MATERIALS:
 - ASTM A48 CLASS 30 GREY IRON
 - ASTM A123 HOT DIPPED GALVANIZED



TRAFFIC SIGNAL POST - MOUNTING BASE - TYPE A

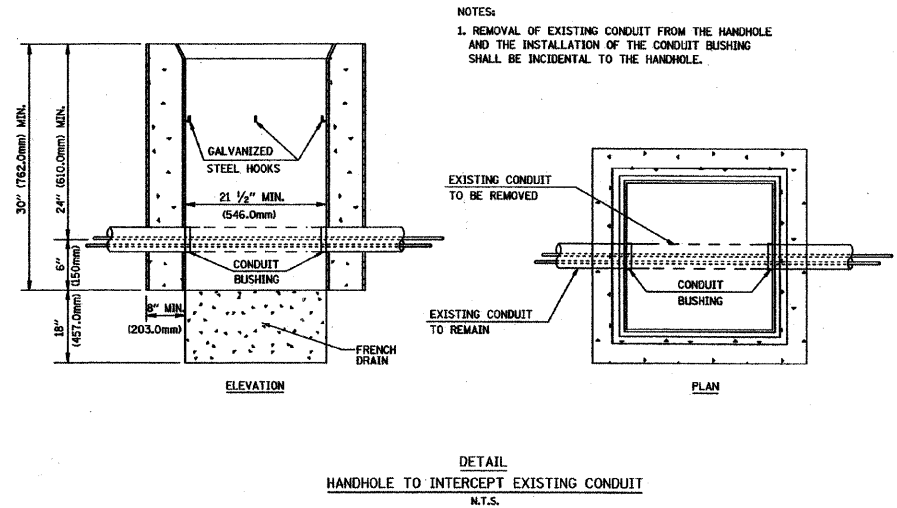
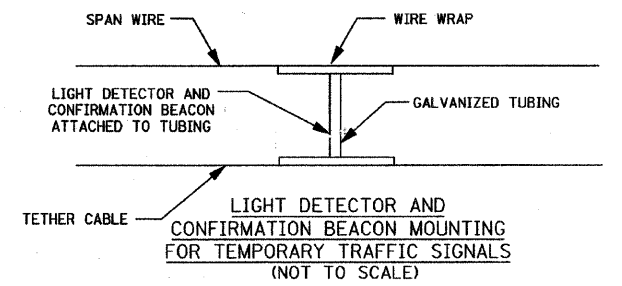


NOTE:
 SUPPORT EXISTING CABINET AND CONTROL EQUIPMENT ABOVE FOUNDATION TO KEEP TRAFFIC SIGNAL FUNCTIONING WHILE FOUNDATION MODIFICATION WORK IS PROCEEDING.



ITEM NO.	IDENTIFICATION
1	OUTLET BOX - GALV. 21 CU. IN. (0.000344 CU. M)
2	LAMP HOLDER AND COVER
3	OUTLET BOX COVER
4	RUBBER COVER GASKET
5	REDUCING BUSHING
6	3/4\"
7	3/4\"
8	3/4\"
9	SADDLE BRACKET - GALV.
10	PAR 38 LAMP
11	DETECTOR UNIT
12	POST CAP [18 FT. (5.4 m) POST MIN.]

NOTES:
 1. ALL ELECTRICAL ITEMS, EXCEPT ITEMS #2 AND #11 SHALL BE ALUMINUM OR GALVANIZED
 2. ITEM #1- 0Z/GEDNEY FSX-1-50 OR EQUIVALENT
 ITEM #2- MULBERRY CON-O-SHADE LAMP SHIELD OR EQUIVALENT
 ITEM #9- "BAND-IT" SADDLE BRACKET OR EQUIVALENT
 3. WHEN POST MOUNTING IS SPECIFIED, ITEM #9 SHALL NOT BE REQUIRED. THE DETECTION UNIT SHALL BE MOUNTED DIRECTLY ON TOP OF THE CAP BY DRILLING AND TAPPING A 3/4\"



NOTES:
 1. REMOVAL OF EXISTING CONDUIT FROM THE HANDHOLE AND THE INSTALLATION OF THE CONDUIT BUSHING SHALL BE INCIDENTAL TO THE HANDHOLE.

ROBERT E. HAMILTON
 CONSULTING ENGINEERS P.C.
 3230 EXECUTIVE DRIVE
 JOLIET, ILLINOIS 60431
 PHONE: 815-730-3444
 FAX: 815-730-6703

NO.	REVISIONS	DATE
1	PER IDOT	8-13-09
2	PER IDOT	10-29-09

MEC BRIDE ENGINEERING, INC.
 CIVIL ENGINEERS & SURVEYORS
 ILLINOIS PROFESSIONAL DESIGN FIRM #194-000803
 CORPORATE: 3645 W. 183rd Street Suite 124
 Hazel Crest, IL 60429-2409
 708-799-1350
 ARLINGTON HEIGHTS DIVISION: 320 S. Belmont Avenue
 Arlington Heights, IL 60005-2038
 847-394-4810

VILLAGE OF CRETE
 EXCHANGE STREET IMPROVEMENTS
 CRETE, WILL COUNTY, ILLINOIS
 STANDARD TRAFFIC SIGNAL
 DESIGN DETAILS
 DATE: 7-3-09
 DRAWN BY: PG/ADM
 CHECKED BY: LGB

M:\2004\04119.4.dwg\TRAFFIC SIGNAL PLANS.dwg 10/29/2009 11:26:59 AM CDT