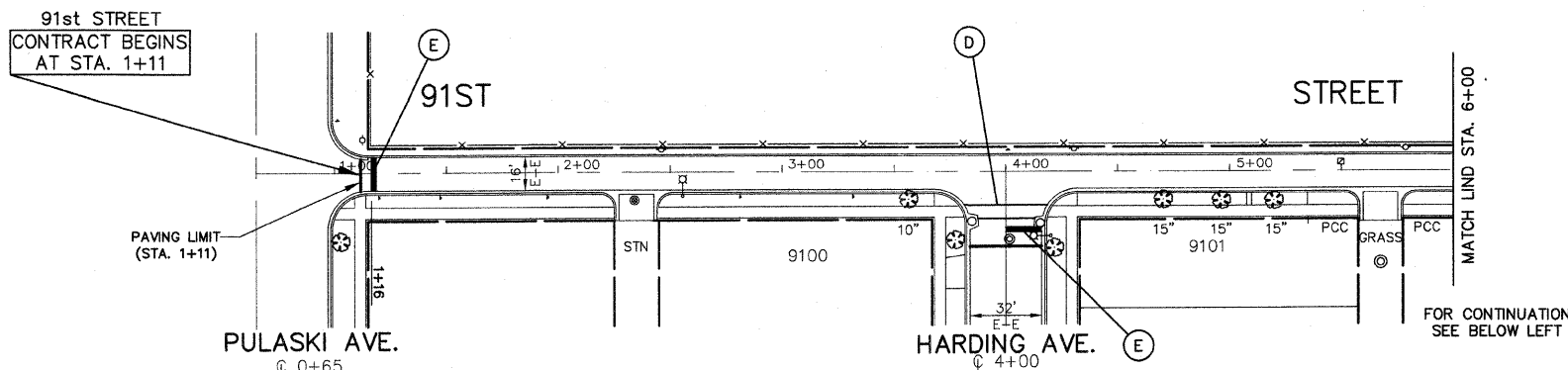




|               |                |         |              |           |
|---------------|----------------|---------|--------------|-----------|
| FAU RTE       | SECTION        | COUNTY  | TOTAL SHEETS | SHEET NO. |
| FAU 3776      | 08-00088-00-RS | COOK    | 14           | 7         |
| F.H.W.A. REG. | ILLINOIS       | PROJECT | M-9003(156)  |           |

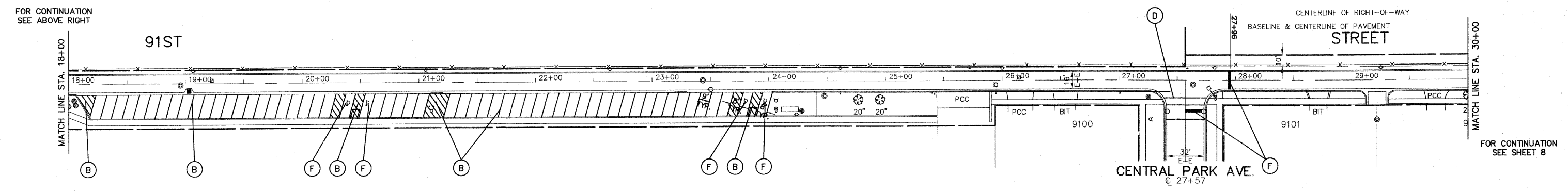
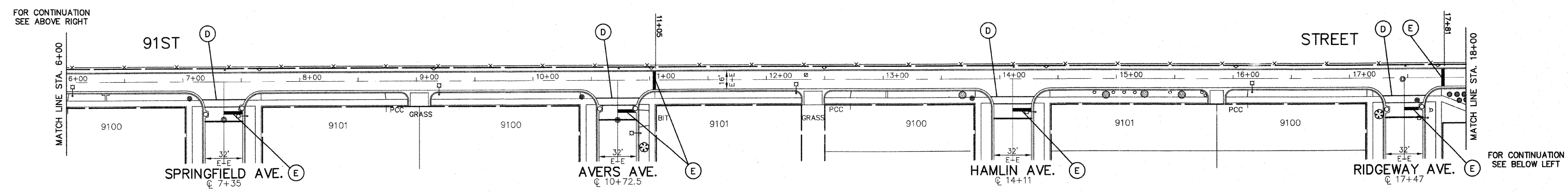
CONTRACT NO. 63318



- THERMOPLASTIC STRIPING CODE**
- (A) PROPOSED DOUBLE SOLID YELLOW THERMOPLASTIC PAVEMENT MARKING - CENTER LINE 4", 11" O/C
  - (B) PROPOSED SOLID WHITE THERMOPLASTIC PAVEMENT MARKING - LINE 4"
  - (C) PROPOSED SOLID YELLOW THERMOPLASTIC PAVEMENT MARKING - LINE 4" (EDGE LINE)
  - (D) PROPOSED SOLID WHITE THERMOPLASTIC PAVEMENT MARKING - LINE 6" (CROSSWALK LINE)
  - (E) PROPOSED SOLID WHITE THERMOPLASTIC PAVEMENT MARKING - LINE 24" (STOP & RAILROAD BAR)
  - (F) PROPOSED SOLID WHITE THERMOPLASTIC PAVEMENT MARKING - LETTERS & SYMBOLS

**NOTE:**  
 PROPOSED DOUBLE SOLID YELLOW THERMOPLASTIC PAVEMENT MARKING - CENTER LINE 4", 11" O/C (NOTE: (A)) IS MEASURED PER LINE. TOTAL QUANTITY AND PAYMENT LENGTH IS FOR EACH LINEAR FOOT OF SINGLE 4" STRIPE INSTALLED.

- PAINT STRIPING CODE**
- (G) PROPOSED DOUBLE SOLID YELLOW PAINT PAVEMENT MARKING - CENTER LINE 4", 11" O/C
  - (H) PROPOSED SOLID WHITE PAINT PAVEMENT MARKING - LINE 24" (STOP BAR)
  - (I) PROPOSED SOLID YELLOW PAINTED PAVEMENT MARKING - (CURB)



**IMPORTANT!**  
 FULL SIZE PLANS HAVE BEEN PREPARED USING STANDARD ENGINEERING SCALES. REDUCED SIZED PLANS WILL NOT CONFORM TO STANDARD SCALES INDICATED IN TITLE BLOCK.

**Frank Novotny & Associates, Inc.**  
 Civil Engineers/Municipal Consultants  
 825 Midway Drive • Willowbrook, IL • 60527 • Telephone: (630) 887-8640 • Fax: (630) 887-0132  
 Illinois Professional Design Firm No. 184-000928

PROJECT  
**VILLAGE OF EVERGREEN PARK**  
 91ST STREET LAPP RESURFACING  
 SECTION NO. 08-00088-00-RS

| REVISIONS |    |      |             |
|-----------|----|------|-------------|
| NO.       | BY | DATE | DESCRIPTION |
|           |    |      |             |
|           |    |      |             |
|           |    |      |             |

**PLAN:**  
 91ST STREET-  
 PULASKI AVE. TO KEDZIE AVE.  
 (PAVEMENT MARKING)

|                               |                        |                                  |
|-------------------------------|------------------------|----------------------------------|
| PROJECT NO.<br>08199          | SCALE<br>1"=40'        | SHEET<br>7<br>OF<br>14<br>SHEETS |
| DRAWN/DESIGNED<br>JEP-JFP/THK | DATE<br>AUG., 2009     |                                  |
| CHECKED/APPROVED<br>THK/THK   | FIELD BOOK NO.<br>FILE |                                  |