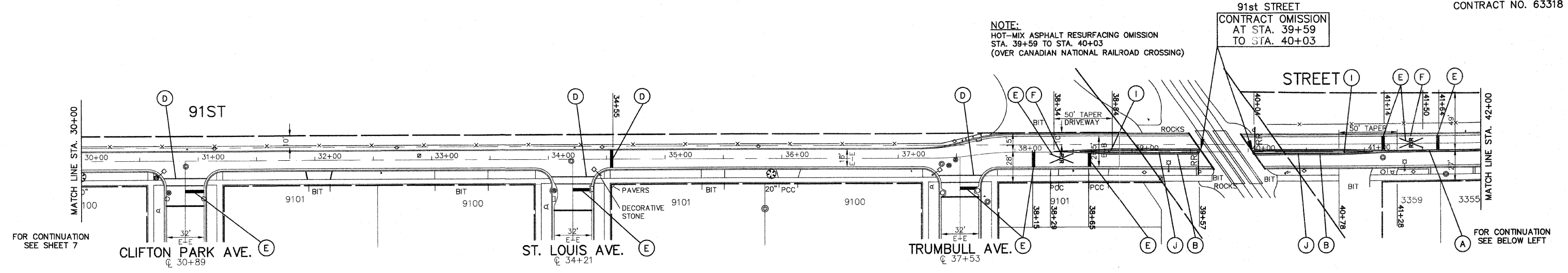


FAU RTE	SECTION	COUNTY	TOTAL SHEETS	SHEET NO.
FAU 3776	08-00088-00-RS	COOK	14	8
F.H.W.A. REG.	ILLINOIS	PROJECT	M-9003(156)	

CONTRACT NO. 63318



THERMOPLASTIC STRIPING CODE

- (A) PROPOSED DOUBLE SOLID YELLOW THERMOPLASTIC PAVEMENT MARKING - CENTER LINE 4", 11" O/C
- (B) PROPOSED SOLID WHITE THERMOPLASTIC PAVEMENT MARKING - LINE 4"
- (C) PROPOSED SOLID YELLOW THERMOPLASTIC PAVEMENT MARKING - LINE 4" (EDGE LINE)
- (D) PROPOSED SOLID WHITE THERMOPLASTIC PAVEMENT MARKING - LINE 6" (CROSSWALK LINE)
- (E) PROPOSED SOLID WHITE THERMOPLASTIC PAVEMENT MARKING - LINE 24" (STOP & RAILROAD BAR)
- (F) PROPOSED SOLID WHITE THERMOPLASTIC PAVEMENT MARKING - LETTERS & SYMBOLS

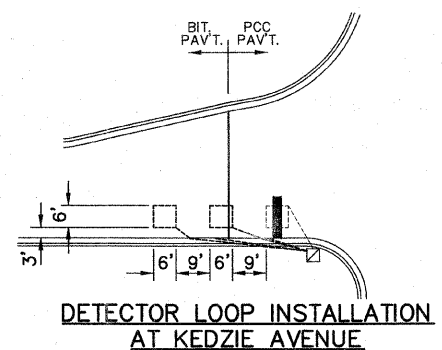
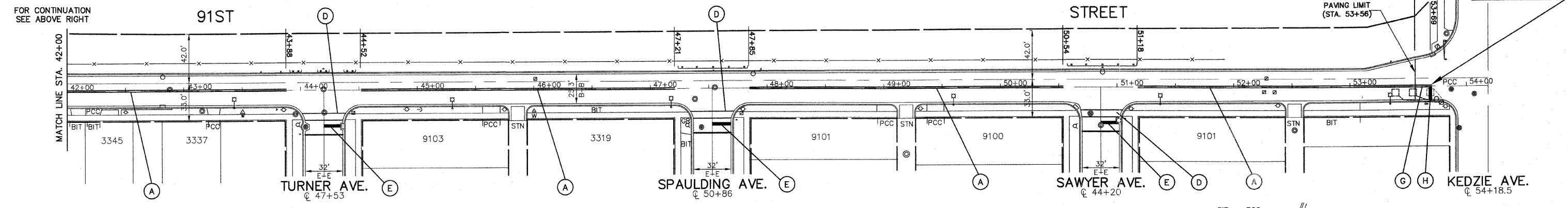
PAINT STRIPING CODE

- (G) PROPOSED DOUBLE SOLID YELLOW PAINT PAVEMENT MARKING - CENTER LINE 4", 11" O/C
- (H) PROPOSED SOLID WHITE PAINT PAVEMENT MARKING - LINE 24" (STOP BAR)
- (I) PROPOSED SOLID YELLOW PAINTED PAVEMENT MARKING - (CURB)

CURB PAINTING

- (J) PROPOSED SOLID YELLOW PAINTED CURB MARKING

NOTE:
PROPOSED DOUBLE SOLID YELLOW THERMOPLASTIC PAVEMENT MARKING - CENTER LINE 4", 11" O/C (NOTE: (A)) IS MEASURED PER LINE. TOTAL QUANTITY AND PAYMENT LENGTH IS FOR EACH LINEAR FOOT OF SINGLE 4" STRIPE INSTALLED.



IMPORTANT!
FULL SIZE PLANS HAVE BEEN PREPARED USING STANDARD ENGINEERING SCALES. REDUCED SIZED PLANS WILL NOT CONFORM TO STANDARD SCALES INDICATED IN TITLE BLOCK.

REVISIONS				
NO.	BY	DATE	DESCRIPTION	
1	THK	10/19/09	PER I.D.O.T. REVIEW	

PLAN:
91ST STREET-
PULASKI AVE. TO KEDZIE AVE.
(PAVEMENT MARKING)

PROJECT NO. 08199	SCALE 1"=40'	SHEET 8 OF 14 SHEETS
DRAWN/DESIGNED JEP-JFP/THK	DATE AUG., 2009	
CHECKED/APPROVED THK/THK	FIELD BOOK NO. FILE	