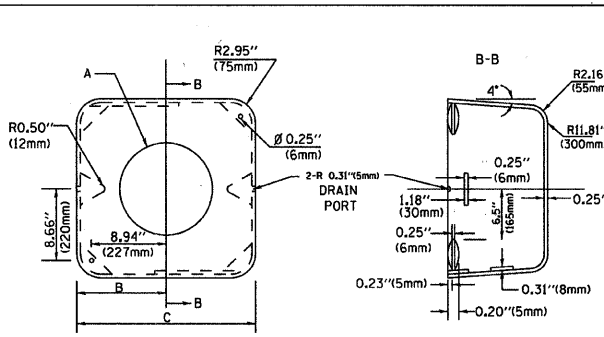


F.A.U. RY:	SECTION	COUNTY	TOTAL SHEETS	SHEET NO.
320	07-00138-26-TL	WILL	19	11
STA.	TO STA.			
FED. ROAD DIST. NO.	ILLINOIS		FED. AID PROJECT	

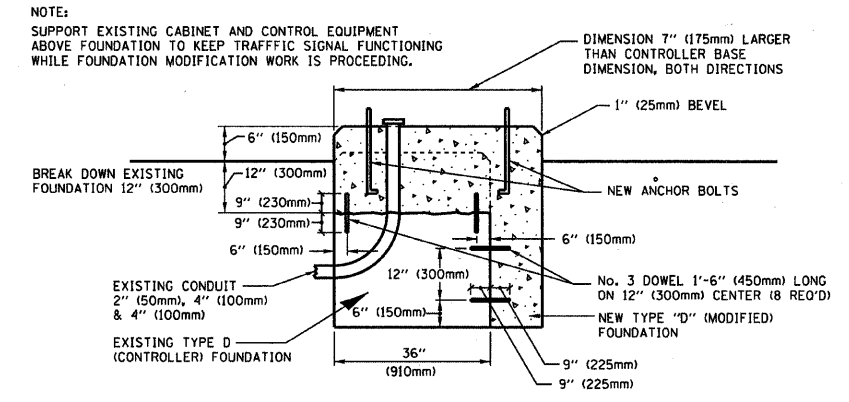
C-91-405-08  
CONTRACT NO. 63329

MATERIAL:  
- ASTM A48 CLASS 30 GREY IRON  
- ASTM A123 HOT DIPPED GALVANIZED



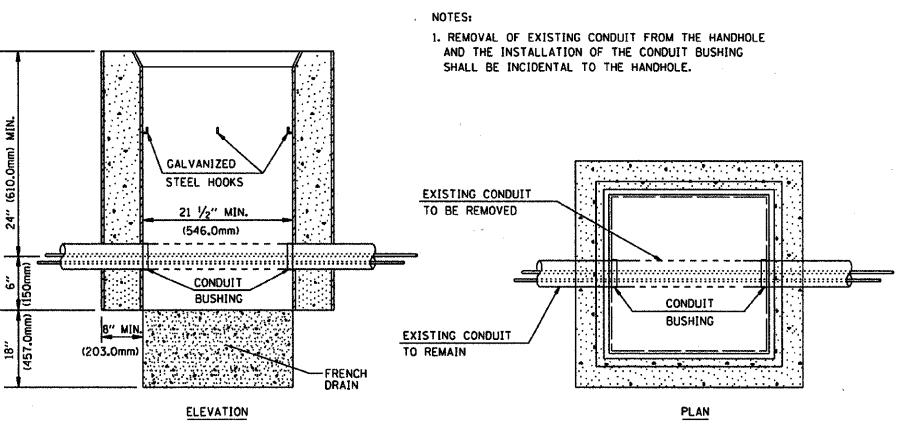
TYPE	A	B	C	HEIGHT	WEIGHT
I	Ø 10.125" (257mm)	9.5" (241mm)	19" (483mm)	12" (300mm)	24kg
II	Ø 11.125" (283mm)	10.75" (273mm)	21.5" (546mm)	12" (300mm)	26kg

SHROUD DETAIL



MODIFY EXISTING TYPE "D" FOUNDATION

(NOT TO SCALE)

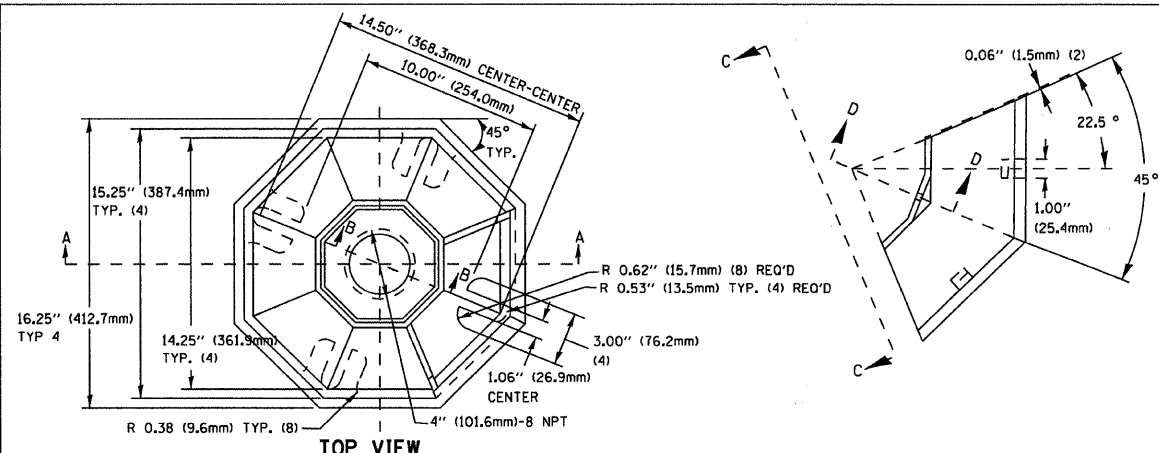


DETAIL HANDHOLE TO INTERCEPT EXISTING CONDUIT

ILLINOIS DEPARTMENT OF TRANSPORTATION  
DISTRICT 1  
STANDARD TRAFFIC SIGNAL DESIGN DETAILS

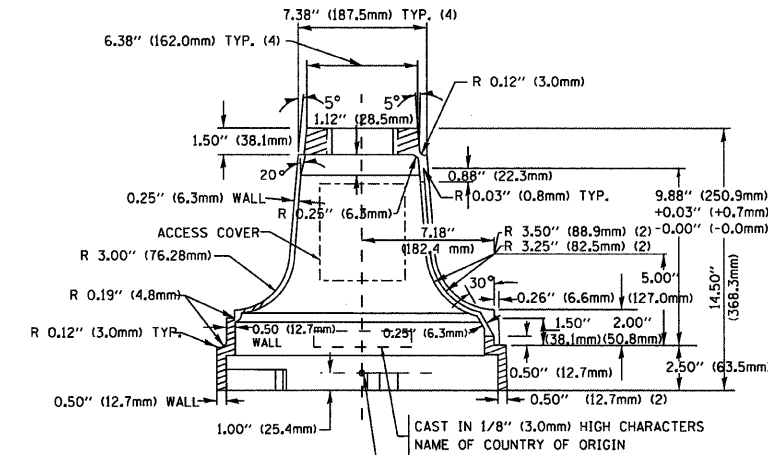
SCALE: VERT. NONE  
DATE 1-01-02

DRAWN BY: RWP  
DESIGNED BY: DAD  
CHECKED BY: DAZ  
SHEET 4 OF 4

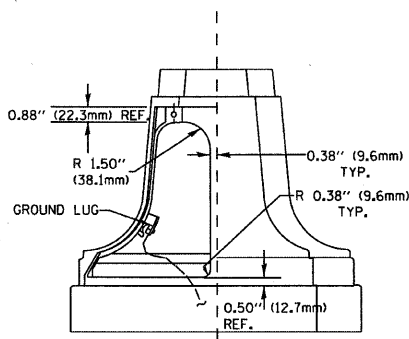


SECTION B-B

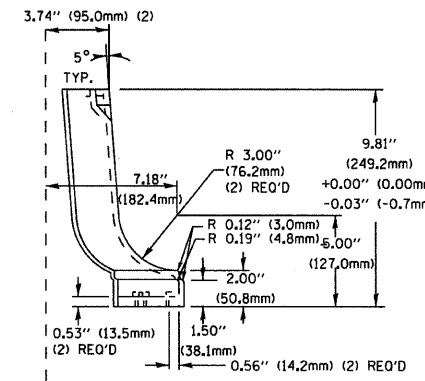
SECTION D-D



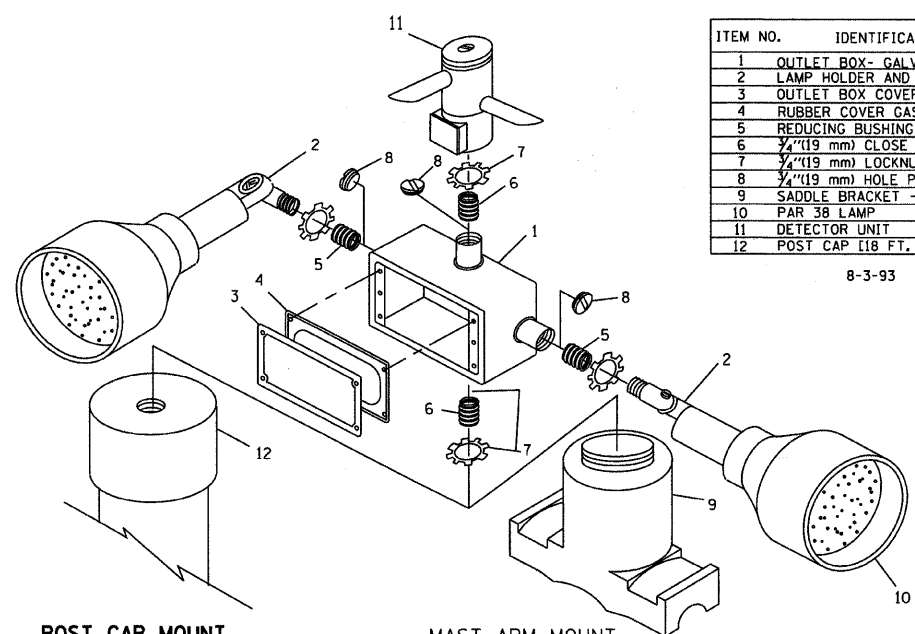
SECTION A-A



VIEW C-C



TRAFFIC SIGNAL POST - MOUNTING BASE - TYPE A

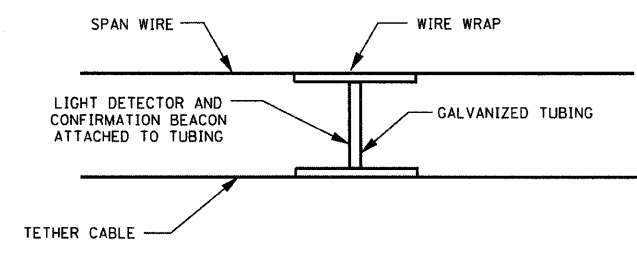


POST CAP MOUNT  
MAST ARM MOUNT  
EMERGENCY VEHICLE DETECTOR WITH CONFIRMATION BEACON MOUNTING DETAIL

ITEM NO.	IDENTIFICATION
1	OUTLET BOX - GALV. 21 CU. IN. (0.000344 CU. M)
2	LAMP HOLDER AND COVER
3	OUTLET BOX COVER
4	RUBBER COVER GASKET
5	REDUCING BUSHING
6	3/4" (19 mm) CLOSE NIPPLE
7	3/4" (19 mm) LOCKNUT
8	3/4" (19 mm) HOLE PLUG
9	SADDLE BRACKET - GALV.
10	PAR 38 LAMP
11	DETECTOR UNIT
12	POST CAP [18 FT. (5.4 m) POST MIN.]

8-3-93

- NOTES:
- ALL ELECTRICAL ITEMS, EXCEPT ITEMS #2 AND #11 SHALL BE ALUMINUM OR GALVANIZED
  - ITEM #1- OZ/GEDNEY FSX-1-50 OR EQUIVALENT  
ITEM #2- MULBERRY CON-O-SHADE LAMP SHIELD OR EQUIVALENT  
ITEM #9- "BAND-IT" SADDLE BRACKET OR EQUIVALENT
  - WHEN POST MOUNTING IS SPECIFIED, ITEM #9 SHALL NOT BE REQUIRED. THE DETECTION UNIT SHALL BE MOUNTED DIRECTLY ON TOP OF THE CAP BY DRILLING AND TAPPING A 3/4" (19 mm) HOLE WITH PIPE THREADS. THE POST CAP SHALL EITHER BE SCREWED TO THE TOP OF THE POST OR A MINIMUM OF 3 TIGHTENING SCREWS SHALL BE REQUIRED ON EACH CAP.



LIGHT DETECTOR AND CONFIRMATION BEACON MOUNTING FOR TEMPORARY TRAFFIC SIGNALS  
(NOT TO SCALE)

REVISIONS	
NAME	DATE

C:\p\boxwood.com\p\objects\mckenzie\071621-L\ry.ctb\PCADD-SURVEY\DRAWINGS\071621-TS-Dist1Det.sht

DATE-TIME  
DGN-SPEC

TS05