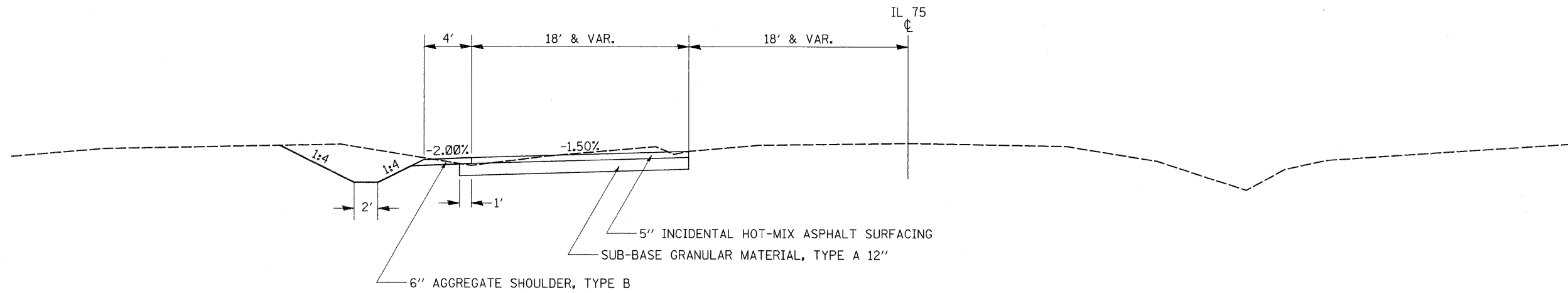
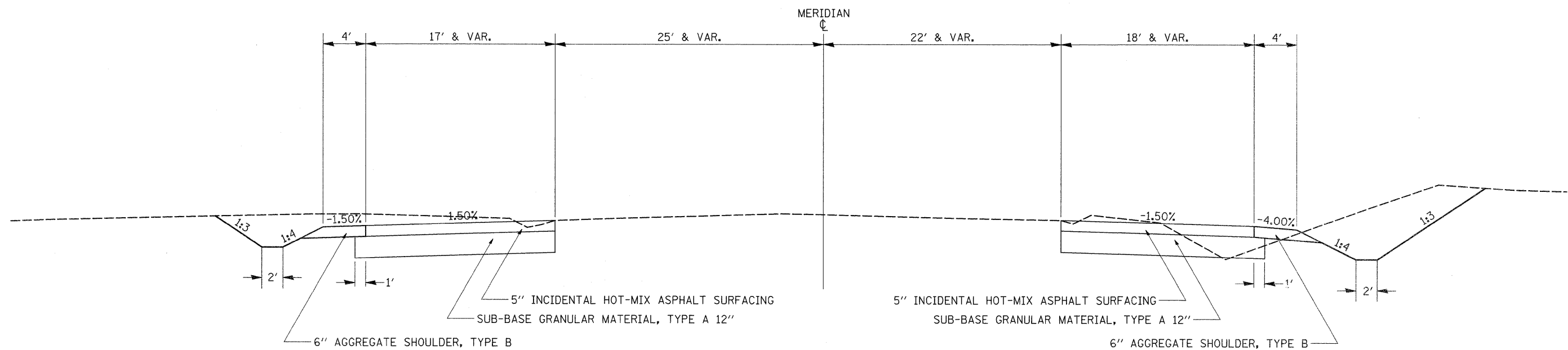


# TYPICAL SECTIONS

## STA 621+50 TO 623+50



## STA 700+25 TO 702+50



NOTE: 5" INCIDENTAL TO BE PLACED IN 2 LIFTS  
BOTTOM LIFT 3" TOP LIFT 2"

FILE NAME =	USER NAME = goffjl	DESIGNED -	REVISED -	<b>STATE OF ILLINOIS DEPARTMENT OF TRANSPORTATION</b>	<b>DETOUR TYPICAL SECTION</b>				F.A.P. RTE.	SECTION	COUNTY	TOTAL SHEETS	SHEET NO.
os:\pw\work\p\dot\goffjl\48142284\48438	detour-tpd.dgn	DRAWN -	REVISED -						505	115T	WINNEBAGO	120	10
PLOT SCALE = 50.0000' / IN.	CHECKED -	REVISED -	REVISED -		SCALE: SHEET NO. OF SHEETS STA. TO STA.				CONTRACT NO. 64E89				
PLOT DATE = Fri Oct 09 12:01:36 2009	DATE -	REVISED -	REVISED -		FED. ROAD DIST. NO. ILLINOIS FED. AID PROJECT								