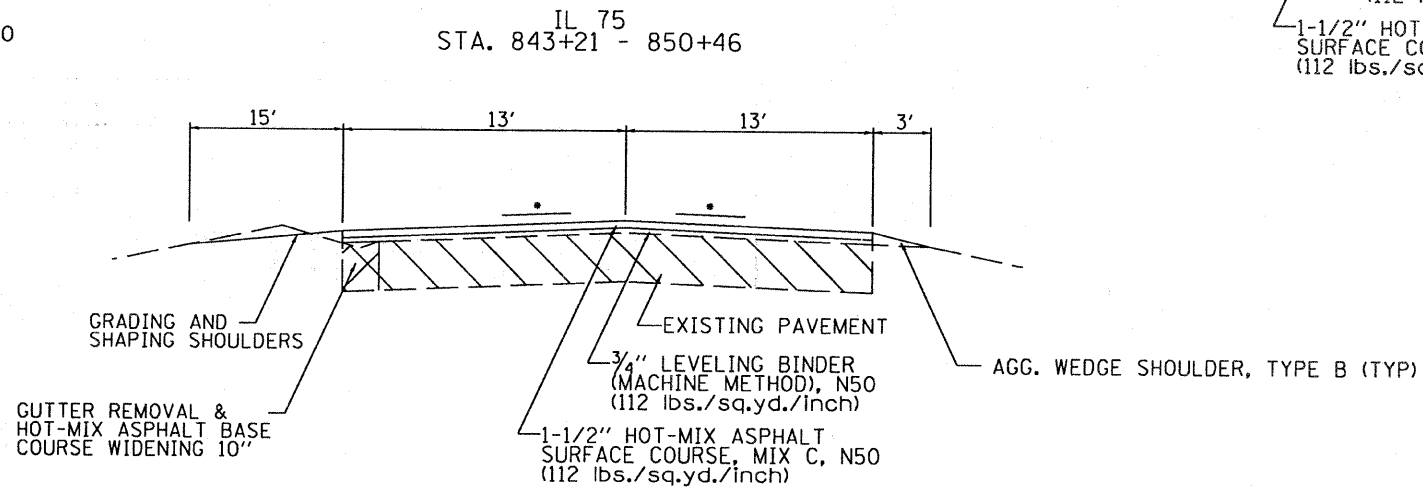
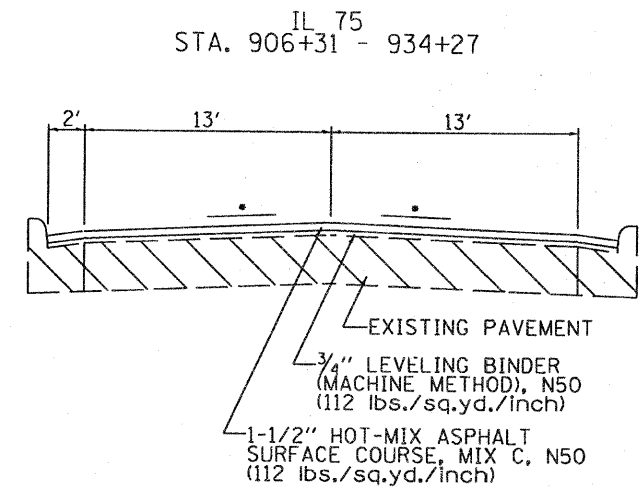
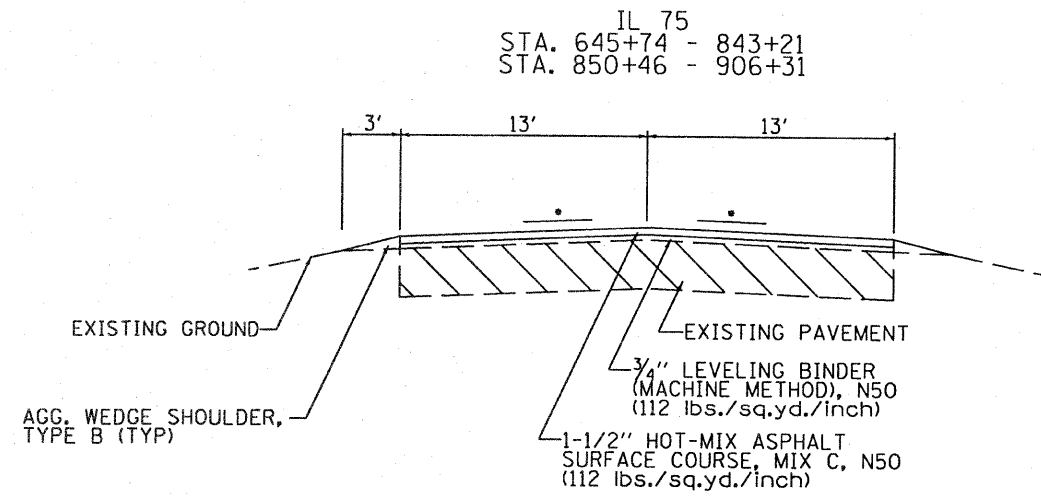
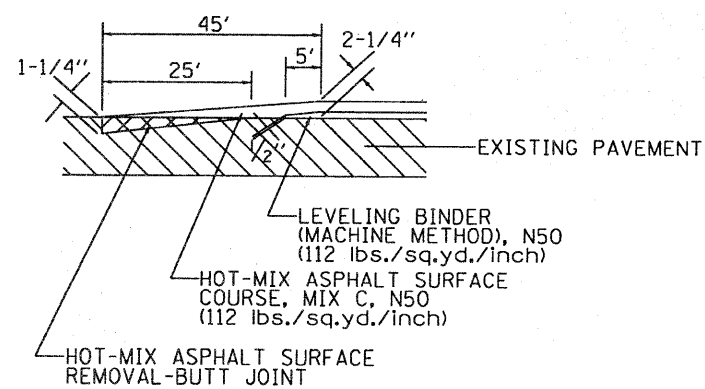


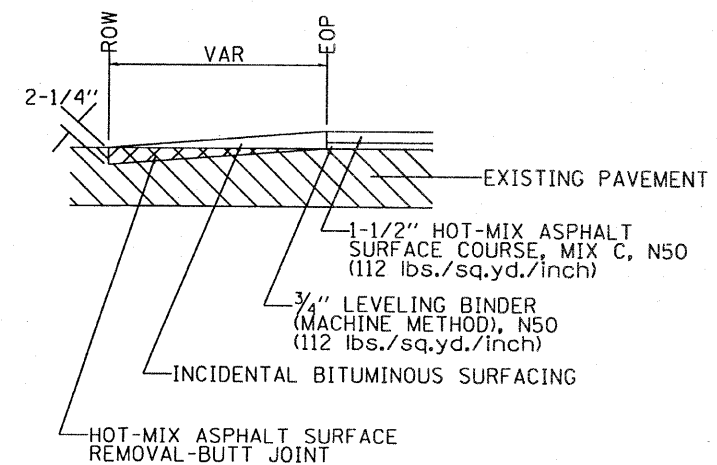
# TYPICAL SECTIONS



BITUMINOUS BUTT JOINT  
IL 75  
STA. 645+74 - STA. 646+19  
STA. 933+82 - STA. 934+27



BITUMINOUS BUTT JOINT  
IL 75  
SIDE ROADS



• MATCH EXISTING SLOPE  
(MIN. 1/8" / FT CROSS SLOPE)

FILE NAME =	USER NAME = nicklaus	DESIGNED -	REVISED -	<b>STATE OF ILLINOIS DEPARTMENT OF TRANSPORTATION</b>	SCALE: _____ SHEET NO. _____ OF _____ SHEETS STA. _____ TO STA. _____	F.A.P. RTE.	SECTION	COUNTY	TOTAL SHEETS	SHEET NO.	
D:\Projects\Winnebago\64E89 IL 75 Culver	ts and 3P combined\Lance\IL75typicals\8.dgn	DRAWN -	REVISED -			505	11SR5-2	WINNEBAGO	120	13	
	PLOT SCALE = 1/8" = 1' / IN.	CHECKED -	REVISED -			CONTRACT NO. 64E89					
	PLOT DATE = Fri Oct 09 11:15:36 2009	DATE -	REVISED -			ILLINOIS FED. AID PROJECT					