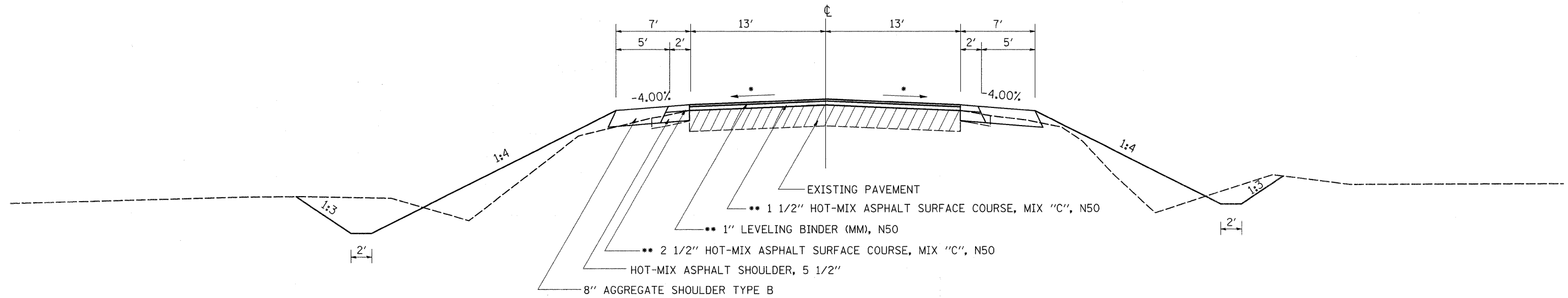


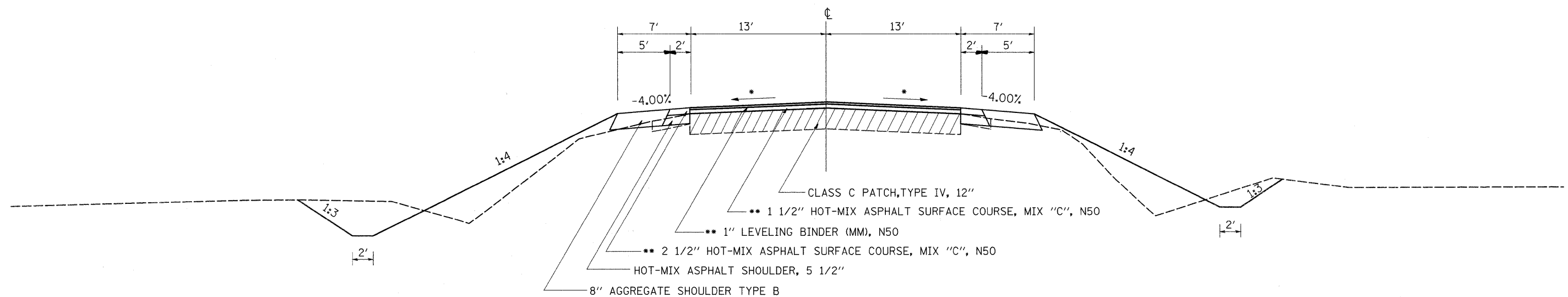
TYPICAL SECTIONS

STA 791+50 TO 793+28

STA 793+90 TO 796+00



STA 793+28 TO 793+90



* MATCH EXISTING SLOPE
 ** LEVEL BINDER AND SURFACE COURSE 112 LBS / SQ YD / IN

FILE NAME =	USER NAME = goffjl	DESIGNED -	REVISED -	STATE OF ILLINOIS DEPARTMENT OF TRANSPORTATION	TYPICAL SECTIONS				F.A.P. RTE.	SECTION	COUNTY	TOTAL SHEETS	SHEET NO.		
c:\pwork\pwork\goffjl\08142202\08430	typ.dgn	DRAWN -	REVISED -		SCALE:	SHEET NO.	OF	SHEETS	STA.	TO STA.	505	115RS-2	WINNEBAGO	120	15
	PLOT SCALE = 50.0000' / IN.	CHECKED -	REVISED -						CONTRACT NO. 64E89						
	PLOT DATE = Fri Oct 09 12:01:28 2009	DATE -	REVISED -						ILLINOIS FED. AID PROJECT						