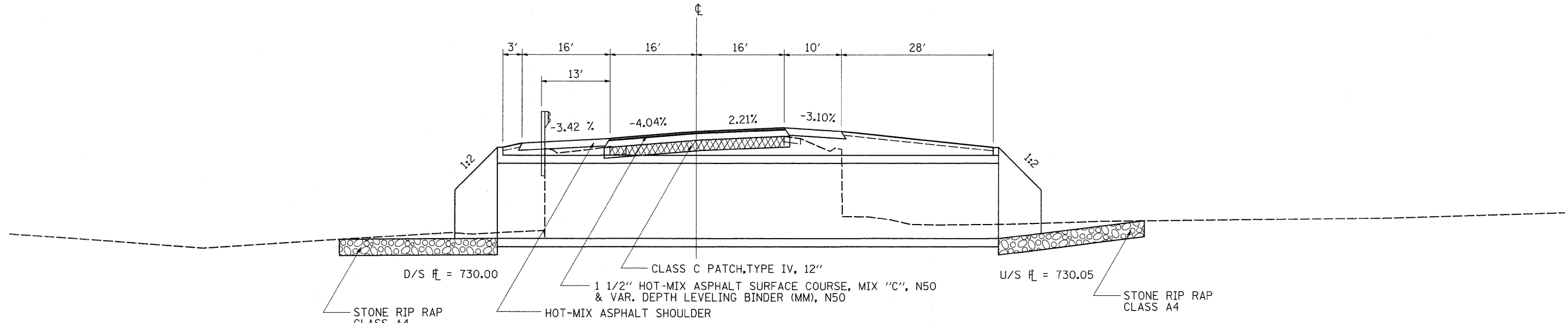
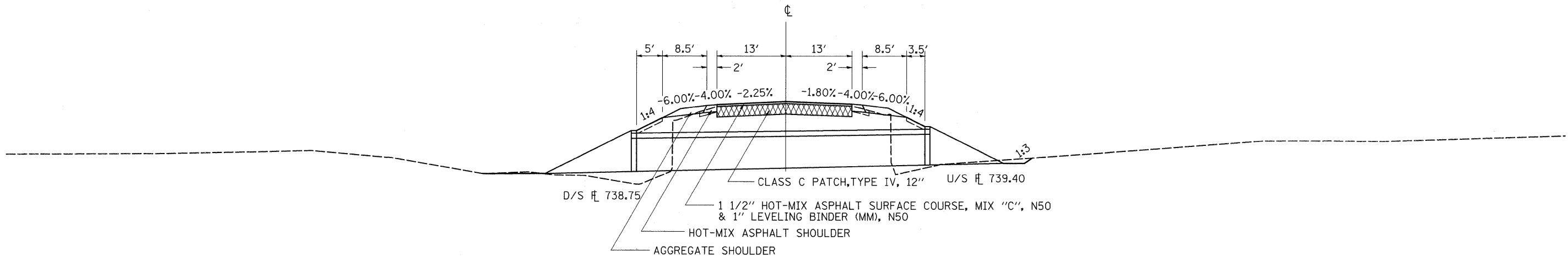


# TYPICAL SECTIONS

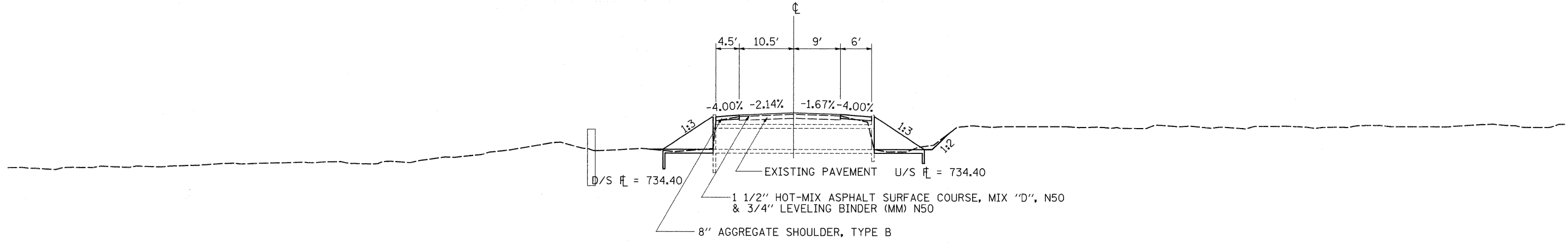
**STA 846 + 55.21**



**STA 793 + 59.84**



**STA 781 + 92.53**



FILE NAME =	USER NAME = goffjl	DESIGNED -	REVISED -	<b>STATE OF ILLINOIS DEPARTMENT OF TRANSPORTATION</b>	<b>TYPICAL SECTIONS</b>				F.A.P. RTE.	SECTION	COUNTY	TOTAL SHEETS	SHEET NO.
o:\pwork\pwork\goffjl\0142282\d0438\typ.dgn		DRAWN -	REVISED -		505	11SR5-2	WINNEBAGO	120	17				
PLOT SCALE = 50.0000' / IN.		CHECKED -	REVISED -		SCALE: SHEET NO. OF SHEETS STA. TO STA.				FED. ROAD DIST. NO.	ILLINOIS FED. AID PROJECT	CONTRACT NO. 64E89		
PLOT DATE = Fri Oct 09 12:01:29 2009		DATE -	REVISED -										