

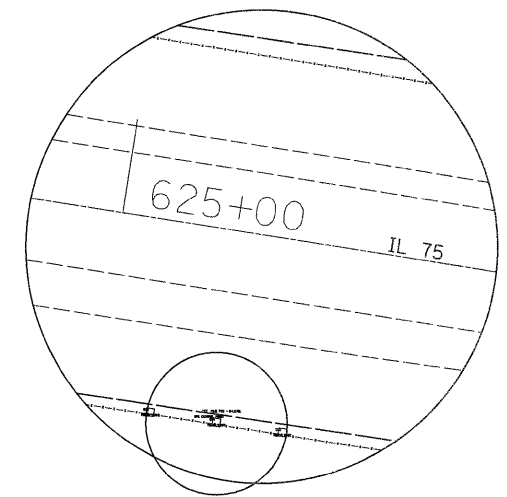
MERIDIAN RD

710

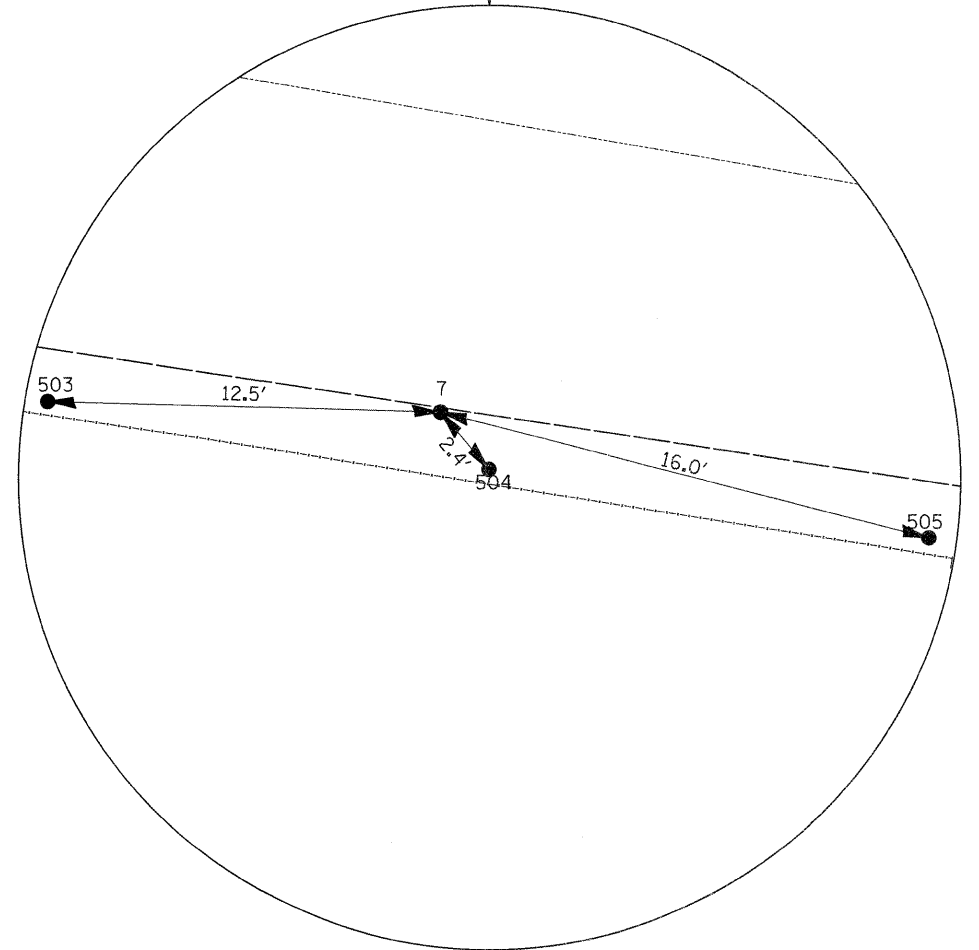
MERIDIAN RD

700

REFERENCE TIES				
POINT	CHAIN	STATION	OFFSET	DESCRIPTION
503	EXIL75	625+12.27	40.8619' RT	FENCE POST
504	EXIL75	625+26.51	40.7922' RT	FENCE POST
505	EXIL75	625+40.70	40.7408' RT	FENCE POST



SEE EXPANDED FOR DIMENSIONS



HORIZONTAL CONTROL POINT No. 7

