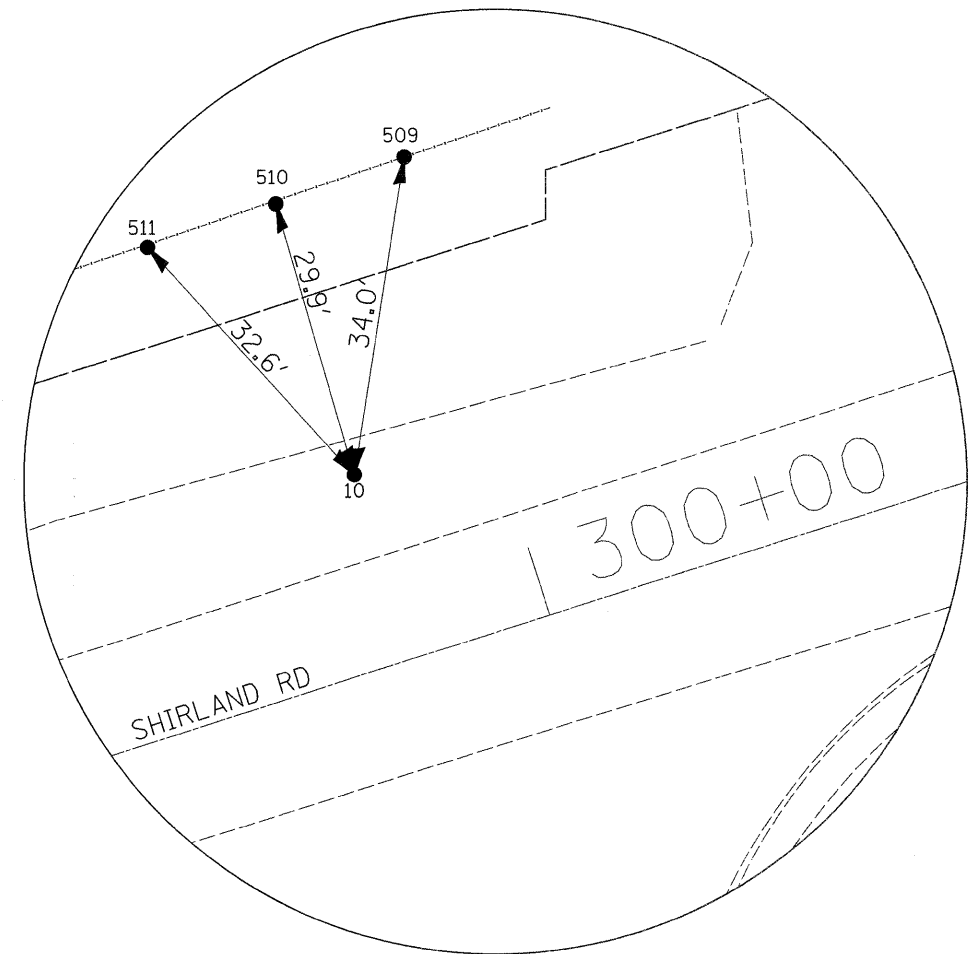




REFERENCE TIES				
POINT	CHAIN	STATION	OFFSET	DESCRIPTION
509	BL_SHRLND	300+00.08	50.8572' LT	FENCE POST
510	BL_SHRLND	299+85.61	50.2981' LT	FENCE POST
511	BL_SHRLND	299+71.25	50.0985' LT	FENCE POST



HORIZONTAL CONTROL
POINT No. 10

Chain BL_SHRLND contains:
76 CUR 250 91

Beginning chain BL_SHRLND description

Point 76 N 2,106,322.2471 E 2,561,599.7100 Sta 271+84.33

Course from 76 to PC 250 71° 51' 12.64" Dist 668.0411'

Curve Data

Curve 250

P.I. Station 288+98.64 N 2,106,856.1643 E 2,563,228.7547

Delta = 0° 22' 01.63" (RT)

Degree = 0° 01' 03.16"

Tangent = 1,046.2676'

Length = 2,092.5280'

Radius = 326,578.2998'

External = 1.6760'

Long Chord = 2,092.5244'

Mid. Ord. = 1.6760'

P.C. Station 278+52.38 N 2,106,530.3069 E 2,562,234.5250

P.T. Station 299+44.90 N 2,107,175.6447 E 2,564,225.0519

C.C. N 1,796,194.9200 E 2,663,946.5378

Course from PT 250 to 91 72° 13' 14.27" Dist 1,422.3510'

Point 91 N 2,107,609.9631 E 2,565,579.4706 Sta 313+67.25

Ending chain BL_SHRLND description

FILE NAME =	USER NAME = goffjl	DESIGNED -	REVISED -	STATE OF ILLINOIS DEPARTMENT OF TRANSPORTATION	HORIZONTAL & VERTICAL CONTROL IL 75			F.A.P. RTE.	SECTION	COUNTY	TOTAL SHEETS	SHEET NO.
ct:\pwork\pwork\goffjl\0142222\0430\hvo.dgn	PLOT SCALE = 100.0000' / IN.	DRAWN -	REVISED -					505	115RS-2	WINNEBAGO	120	22
	PLOT DATE = Fri Oct 09 12:00:54 2009	CHECKED -	REVISED -		SCALE:	SHEET NO.	OF	SHEETS	STA.	TO STA.	CONTRACT NO. 64E89	
		DATE -	REVISED -		ILLINOIS FED. AID PROJECT							