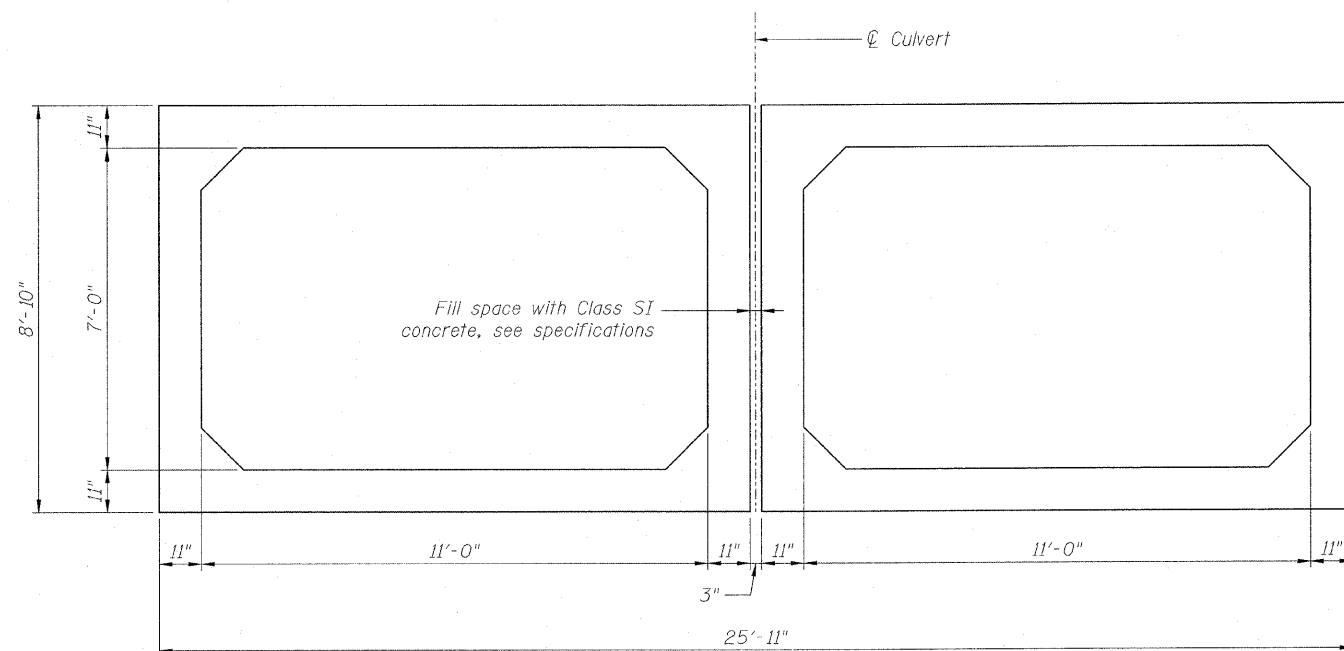
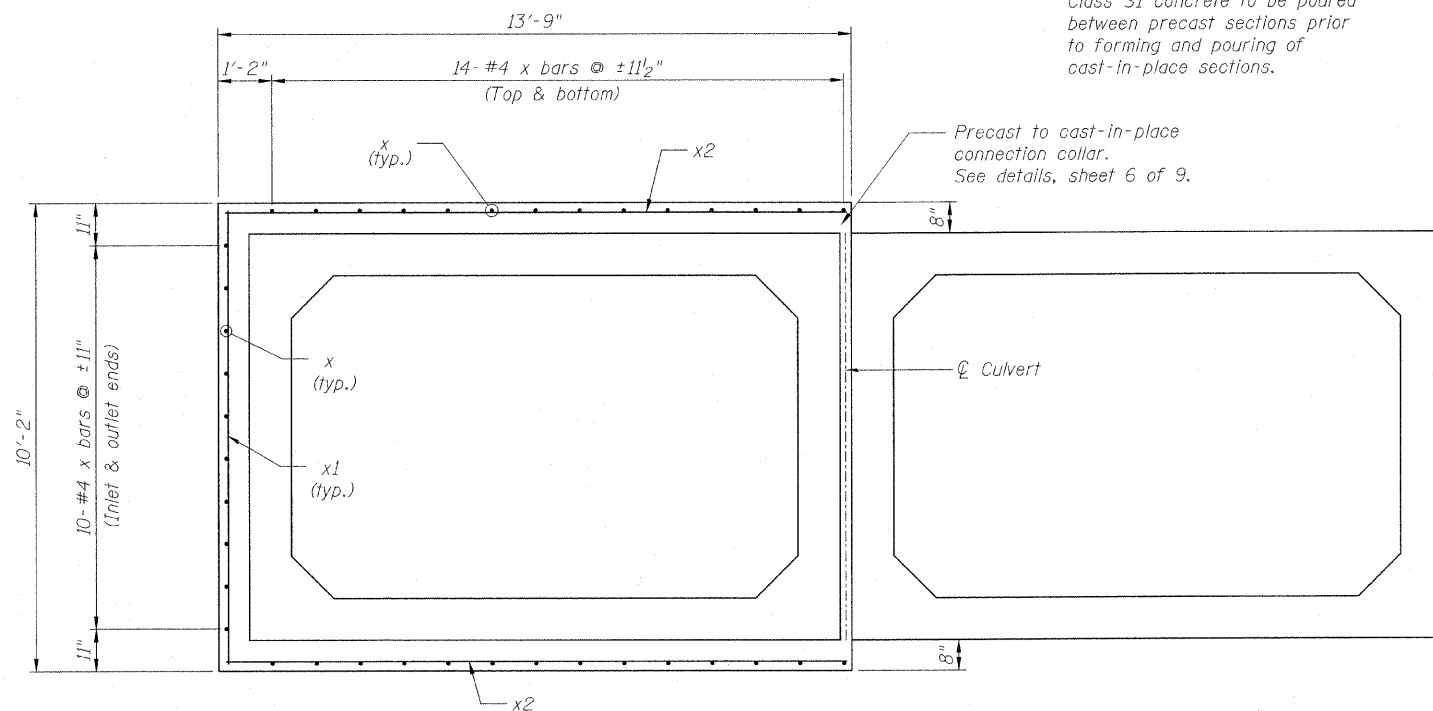


STATE OF ILLINOIS
DEPARTMENT OF TRANSPORTATION



PRECAST TYPICAL SECTION

Note:
Class SI concrete to be poured
between precast sections prior
to forming and pouring of
cast-in-place sections.



SECTION A-A & A1-A1

SECTIONS I
STRUCTURE NO. 101-1084

DESIGNED	BJM
CHECKED	MAS
DRAWN	TMF / JNH
CHECKED	BRT



Wight & Company
2500 North Frontage Road Darien, IL 60561
630.969.7000 630.969.7979 fax
Design Firm Registration 184-000451

SHEET NO. 4 9 SHEETS	F.A.P. RTE.	SECTION	COUNTY	TOTAL SHEETS	SHEET NO.
	505	115RS-2	WINNEBAGO	120	46
STA. 791+50 TO		STA. 796+00	CONTRACT NO. 64E89		
FED. ROAD DIST. NO.		ILLINOIS	FED. AID PROJECT		