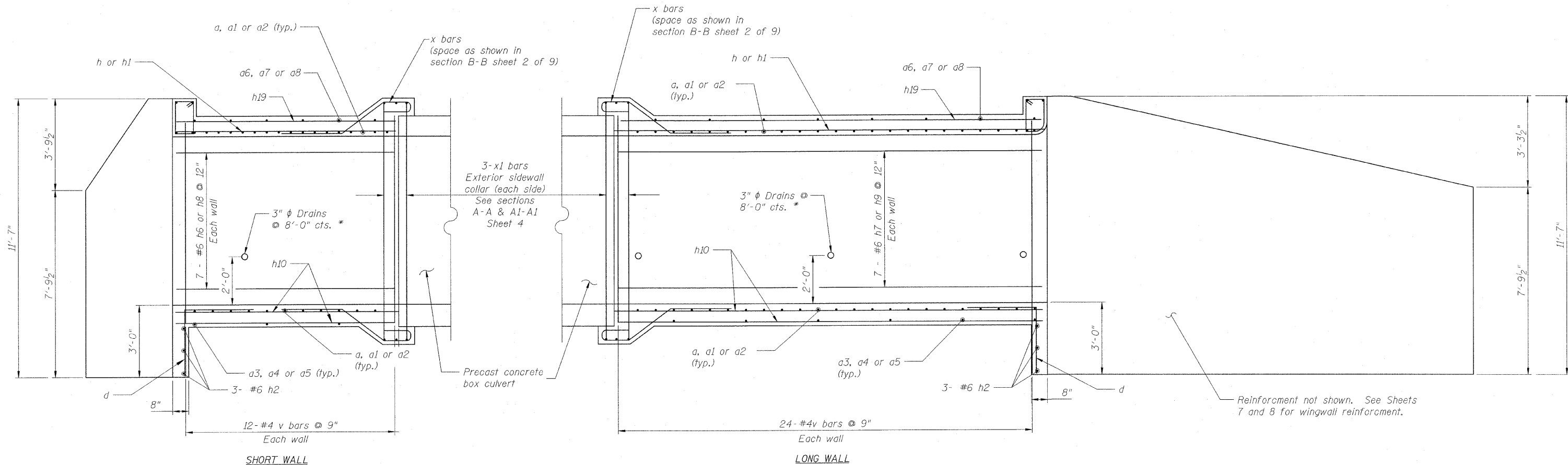
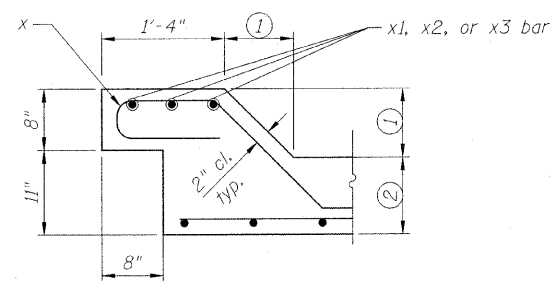


STATE OF ILLINOIS  
DEPARTMENT OF TRANSPORTATION



ELEVATION

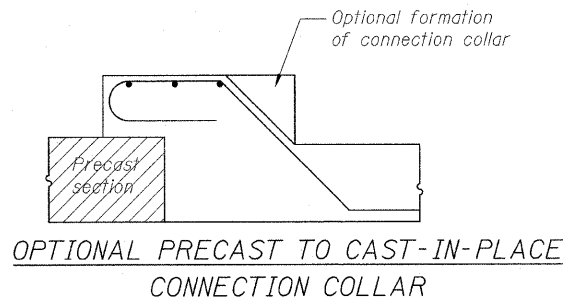
\* Drains shall be located in exterior walls only.



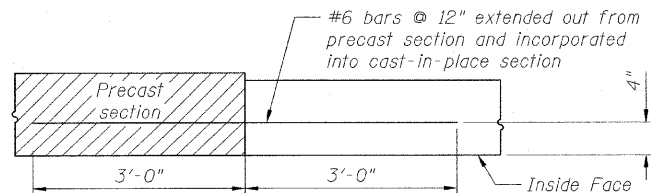
COLLAR TABLE		
	①	②
Top slab	9"	10"
Sidewalls	12"	7"
Bottom slab	8"	11"

PRECAST TO CAST-IN-PLACE  
CONNECTION COLLAR

(Barrel reinforcement not shown unless otherwise noted)



(Barrel reinforcement not shown unless otherwise noted)

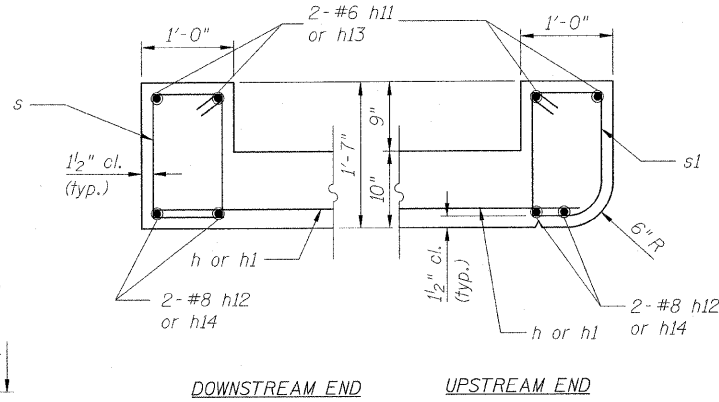


OPTIONAL PRECAST TO CAST-IN-PLACE CONNECTION

(Barrel reinforcement not shown unless otherwise noted)

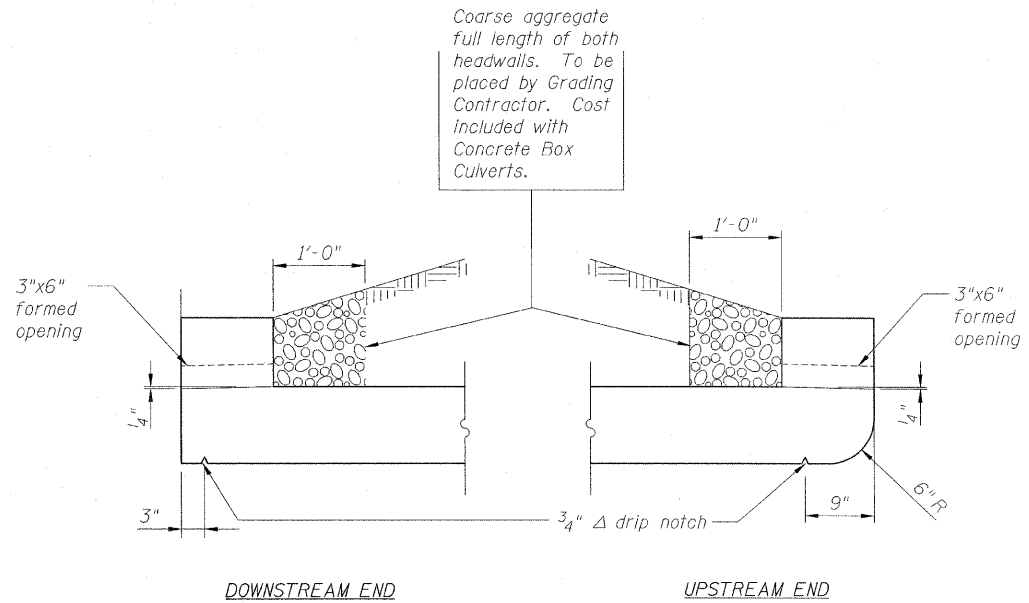
Connection Collar Notes:

- Additional concrete used for the optional collar formation will be provided at the contractor's expense.
- In lieu of cast-in-place collar, the reinforcement may be extended out of the last precast section and incorporated into the cast-in-place section (See detail).



HEADWALL DETAILS

(Barrel reinforcement not shown unless otherwise noted)



DRAIN DETAILS

ELEVATION & DETAILS  
STRUCTURE NO. 101-1084



Wight & Company  
2500 North Frontage Road . Darien . IL 60561  
630.969.7000 630.969.7979 fax  
Design Firm Registration 184-000451

SHEET NO. 6 9 SHEETS	F.A.P. RTE.	SECTION	COUNTY	TOTAL SHEETS	SHEET NO.
	505	115RS-2	WINNEBAGO	120	48
STA. 791+50 TO STA. 796+00		CONTRACT NO. 64E89			
FED. ROAD DIST. NO.		ILLINOIS FED. AID PROJECT			

G:\ENG\08-6790-13\_TASK 8\_IL 75 Structural Plans\civ\Shr\1011084\_64E89\_006\_Rev01.dgn 7/14/2009 4:20:24 PM Default