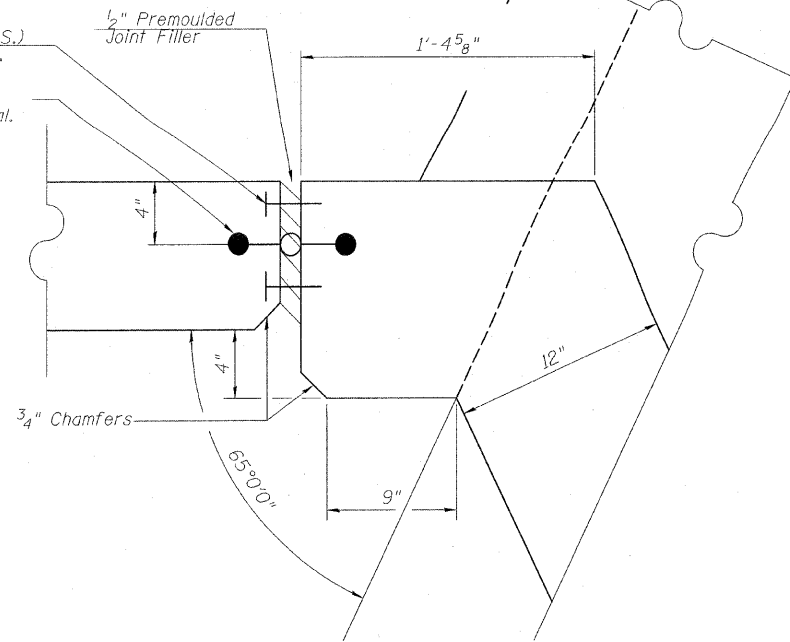


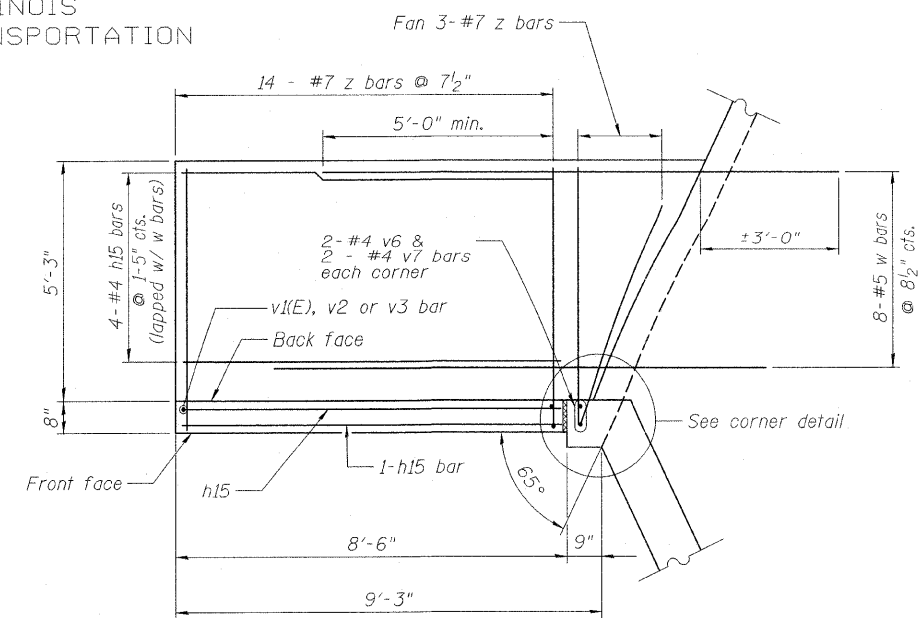
STATE OF ILLINOIS  
DEPARTMENT OF TRANSPORTATION

Concrete Nails (Flat Hd. C.S.)  
1" long at 12" cts. vertical.

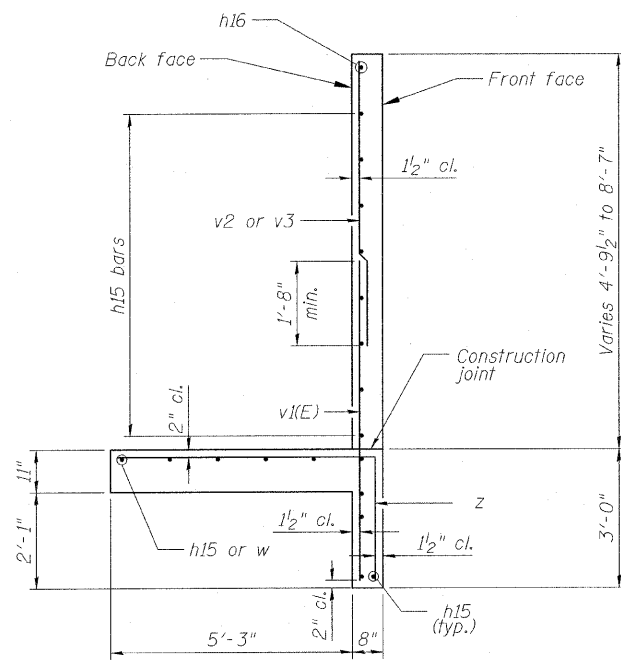
6" Hollow bulb type  
nonmetallic water seal.  
(6" from top of wall  
to top of footing)



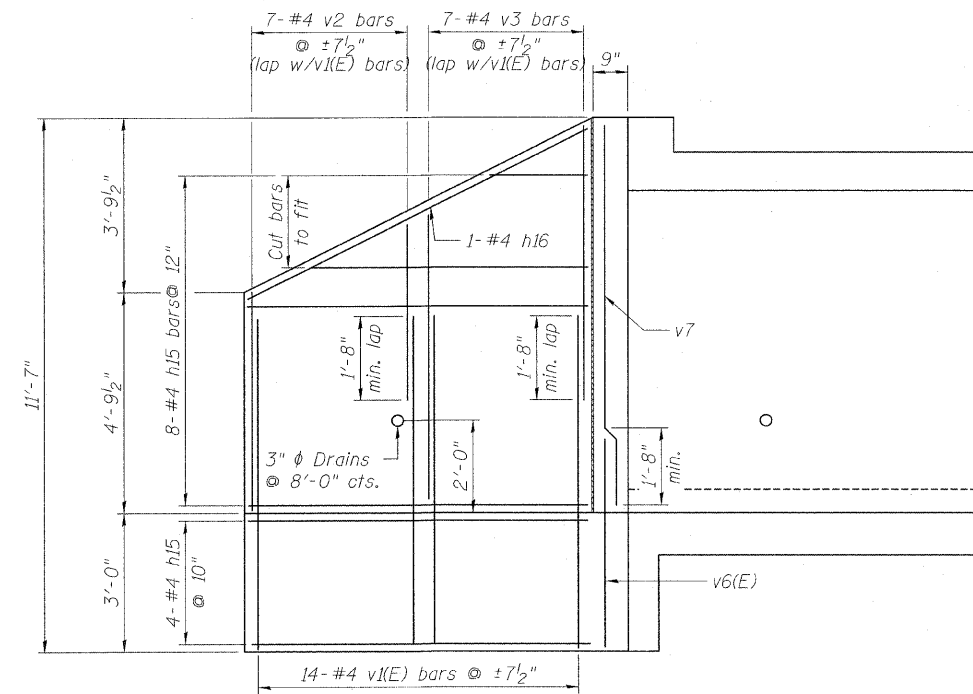
CORNER DETAIL



WINGS A & D PLAN



WINGS A & D TYPICAL ELEVATION



WINGS A & D ELEVATION

LEGEND  
B.F. = Back face  
F.F. = Front face  
E.F. = Each face

Allowable Bearing Pressure = 6000 psf  
Maximum Soil Pressure = 2900 psf

7/14/2009 4:20:31 PM Default G:\ENGIN\06-6790-13-TASK 8.LL 75 Structural Plans\SH\1011084\_64E89\_007\_Wingwall\_1.dgn

DESIGNED	BJM
CHECKED	MAS
DRAWN	TMF / JNH
CHECKED	BRT



Wight & Company  
2500 North Frontage Road . Darien . IL 60561  
630.969.7000 630.969.7979 fax  
Design Firm Registration 184-000451

SHEET NO. 7 9 SHEETS	F.A.P. RTE.	SECTION	COUNTY	TOTAL SHEETS	SHEET NO.
	505	115RS-2	WINNEBAGO	120	49
STA. 791+50 TO STA. 796+00		CONTRACT NO. 64E89			
FED. ROAD DIST. NO.		ILLINOIS	FED. AID PROJECT		

WINGWALLS A & D  
STRUCTURE NO. 101-1084