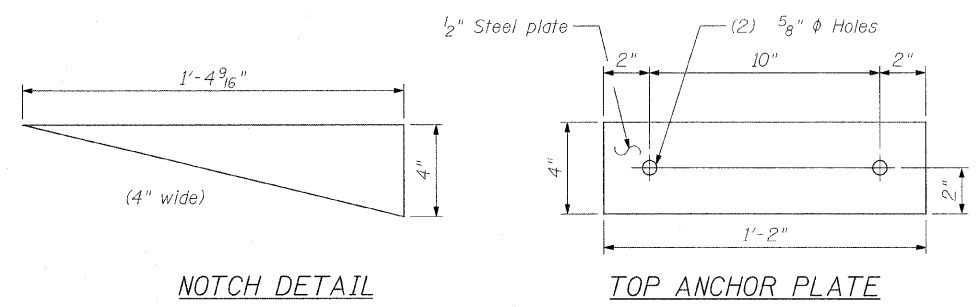
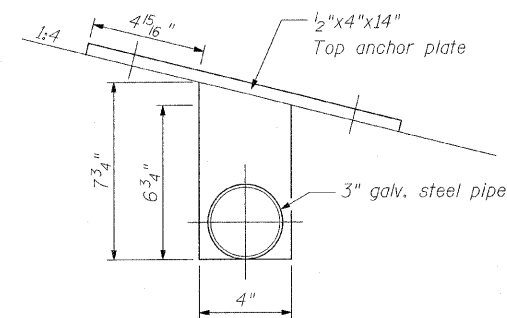
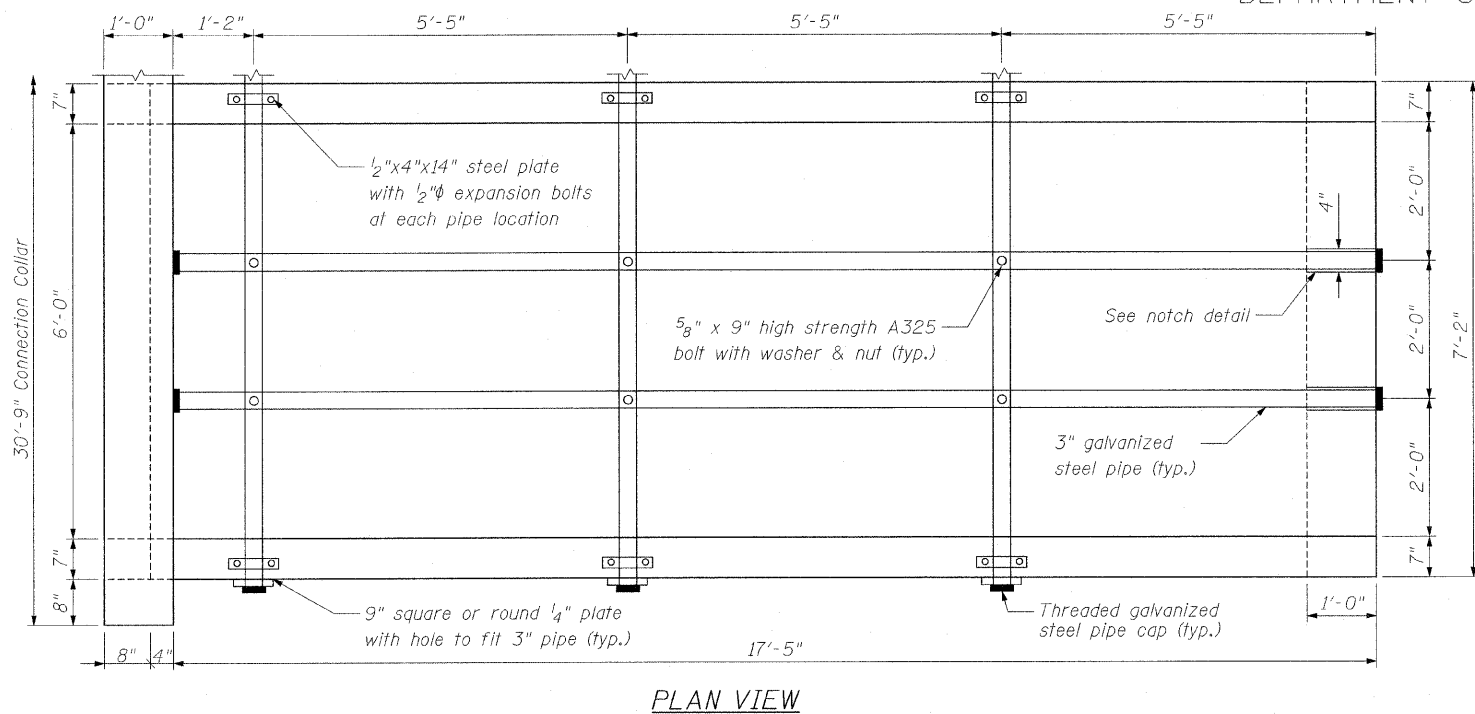


STATE OF ILLINOIS  
DEPARTMENT OF TRANSPORTATION



**\*\*GRATED CULVERT EXTENSION, NO. 1  
BILL OF MATERIALS FOR ONE EXTENSION**

BAR	NO.	SIZE	LENGTH	SHAPE	LBS
a	3	4	6'-11"	—	13.9
d	8	4	4'-8"	—	25.0
h	5	4	17'-6"	—	58.5
h1	8	4	17'-6"	—	93.5
h2	6	4	5'-3"	—	21.0
v	13	4	5'-0"	—	43.4
u	19	4	11'-3"	—	142.8
TOTAL					398.1

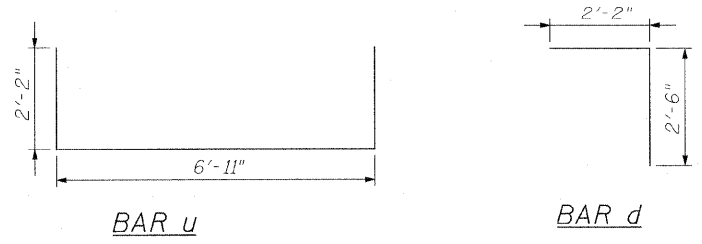
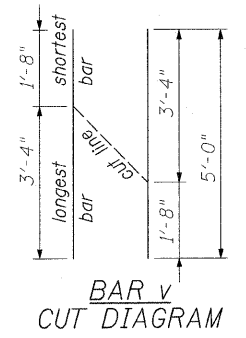
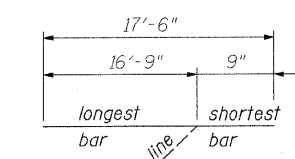
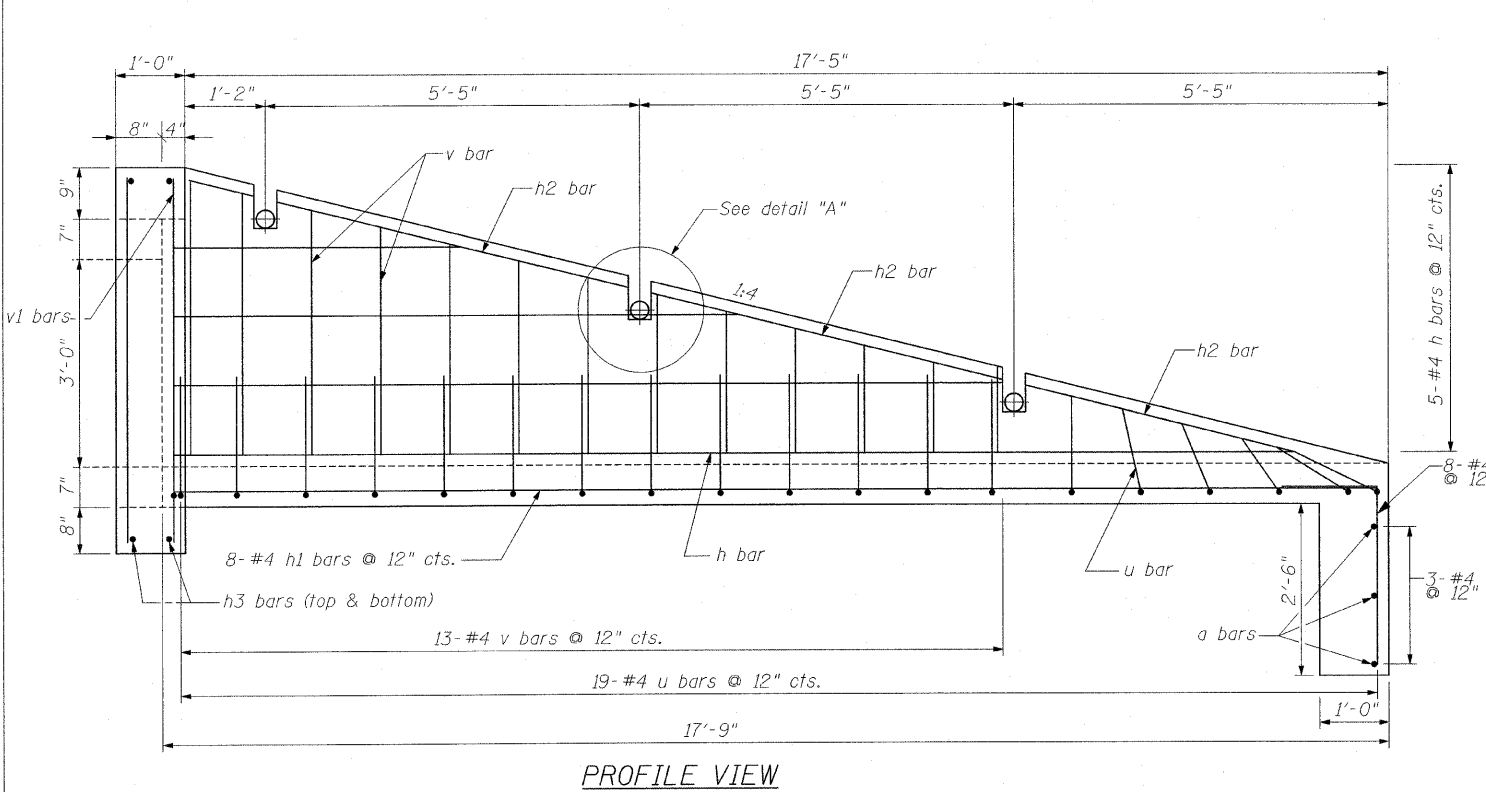
  

DESCRIPTION	UNIT	QTY
Concrete Box Culverts	Cu Yd	5.0
Reinforcement Bars	Pounds	398.1
3" I.D. Galvanized Steel Pipe	3 @	29'-9"
	2 @	18'-0"
3" Galvanized Pipe Caps	Each	10
5/8" x 9" Galvanized Steel Bolts	Each	6
1/4" Galvanized Steel Plate (9" Nominal)	Each	6
1/2" x 4" x 14" Galvanized Steel Plates	Each	6
Expansion Bolts 1/2"	Each	12

**\*CONNECTION COLLAR  
BILL OF MATERIALS**

BAR	NO.	SIZE	LENGTH	SHAPE	LBS
h3	4	4	30'-6"	—	81.5
v1	8	4	5'-4"	—	28.5
TOTAL					110.0

\*For informational purposes only. cost to be included in the bid item "Grated Culvert Extension, No. 1"



**GENERAL NOTES:**

- Slope flow line of the extension at the same rate as the flow line of the box.
- Exposed edges shall be beveled 3/4"
- Reinforcement bars shall conform to the requirements of ASTM A706 Gr. 60. See Special Provisions.
- Bolts, nuts, and washers shall be in accordance with article 1006.08 of the standard specification and shall be galvanized.
- The contract unit price "Each" for Grated Culvert Extension, No. 1 shall include the expansion bolts, galvanized pipe and caps, plates, Class S1 concrete, reinforcement bars, bolts, nuts, washers, installation on the proposed culvert, earth excavation where required, and any necessary grading to fit inlet as shown in the cross sections or to the slope.
- Steel pipes shall conform to A.S.T.M. A-53 (Type E or S) Grade B, schedule 40 and shall be galvanized conforming to A.S.T.M. A-120. Contractor shall field verify pipe length.
- Steel plates shall conform to AASHTO M-183 and shall be galvanized conforming to AASHTO M-111.
- See plan and profile sheet for more information.
- See culvert location plans for more information.

**GRATED CULVERT EXTENSION, NO. 1  
STRUCTURE NO. 101-1085  
STA. 793+59**

DESIGNED	BJM
CHECKED	MAS
DRAWN	TMF / JNH
CHECKED	BRT

**Wight & Company**  
2500 North Frontage Road . Darien . IL 60561  
630.969.7000 630.969.7979 fax  
Design Firm Registration 184-000451

SHEET NO. 1 1 SHEETS	F.A.P. RTE.	SECTION	COUNTY	TOTAL SHEETS	SHEET NO.
	505	115RS-2	WINNEBAGO	120	52
STA. 791+50 TO STA. 796+00		CONTRACT NO. 64E89			
FED. ROAD DIST. NO.		ILLINOIS FED. AID PROJECT			

G:\ENG\08-6790-13\_TASK & ILL 75 Structural Plans\GIS\Sh\1011085\_64E89\_001\_Created\_Extension.dgn 7/14/2003 4:20:40 PM Default