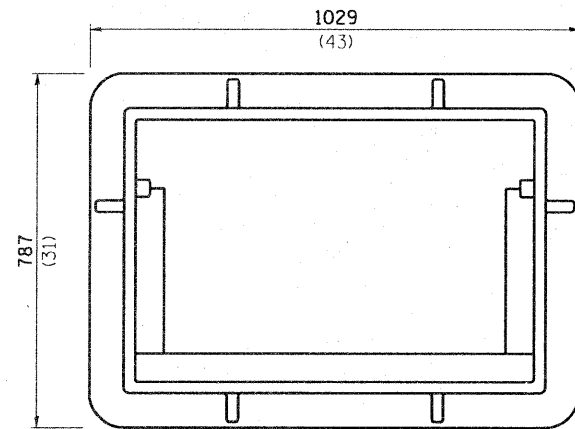
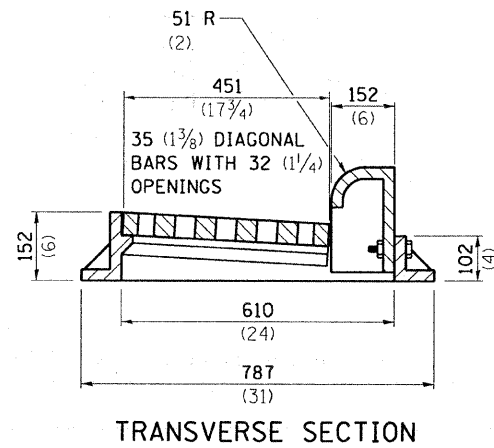


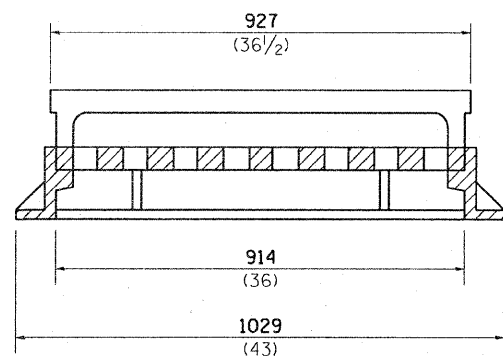
FRAME AND GRATE FOR INLET SPECIAL



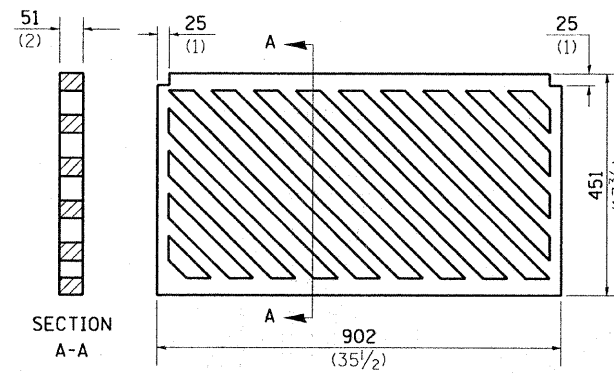
PLAN OF FRAME
WITHOUT GRATE AND CURB BOX



TRANSVERSE SECTION



LONGITUDINAL SECTION



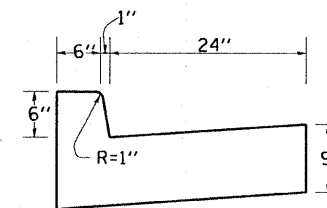
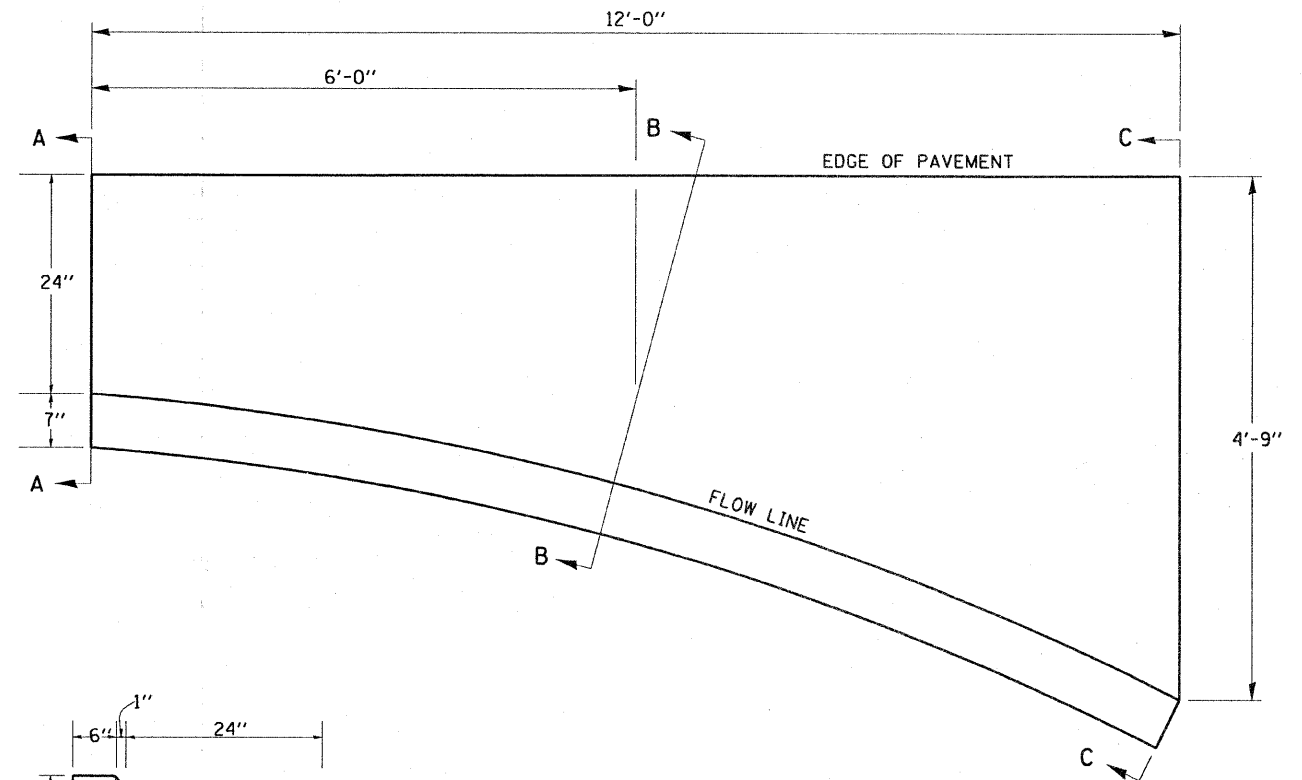
PLAN OF GRATE

ALL DIMENSIONS ARE IN MILLIMETERS (INCHES) UNLESS OTHERWISE NOTED.

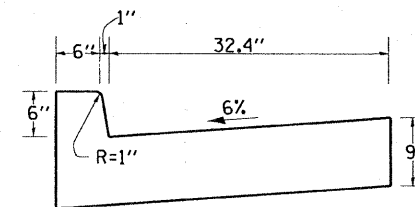
REVISED - 9-25-92

R 3067
APPROXIMATE WEIGHT - 231 Kg. (510 LBS.)

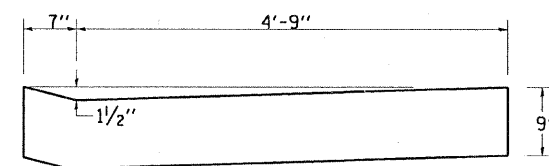
STANDARD INLET FOR CURB & GUTTER TYPE B-6.24



SECTION A-A



SECTION B-B



SECTION C-C

NOTES

Class SI Concrete shall be used throughout.

The Curb and Gutter Inlet will be paid for at the contract unit price per cubic yard for Class SI Concrete (OUTLETS).

Joints shall be constructed in accordance with the requirements of Article 606.07 of the Standard Specifications.

When curb and gutter is constructed adjacent to flexible pavement, a 1" expansion joint shall be installed at construction joints.

- QUANTITY -

Section A-A to C-C
(1.23 Cu. Yds.)
Class SI Concrete

REVISED - 10-10-06	REGION 2 / DISTRICT 2 STANDARD	F.A.P. RTE. 505	SECTION 115 RS-2	COUNTY WINNEBAGO	TOTAL SHEETS 120	SHEET NO. 79
REVISED -	SCALE: 1/8" = 1'-0"	SHEET NO. OF SHEETS STA. TO STA.		CONTRACT NO. 64E89		
REVISED -	FED. ROAD DIST. NO. ILLINOIS FED. AID PROJECT					