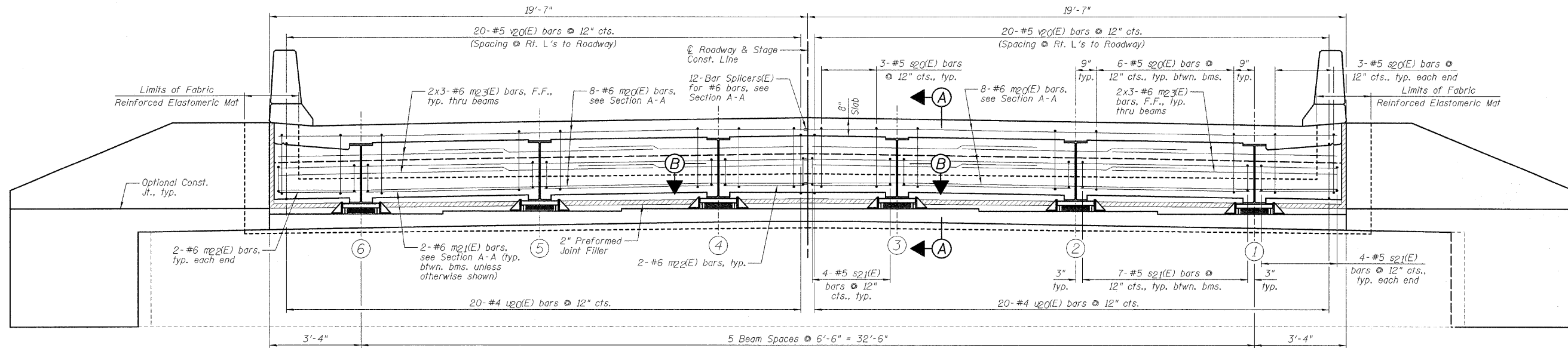


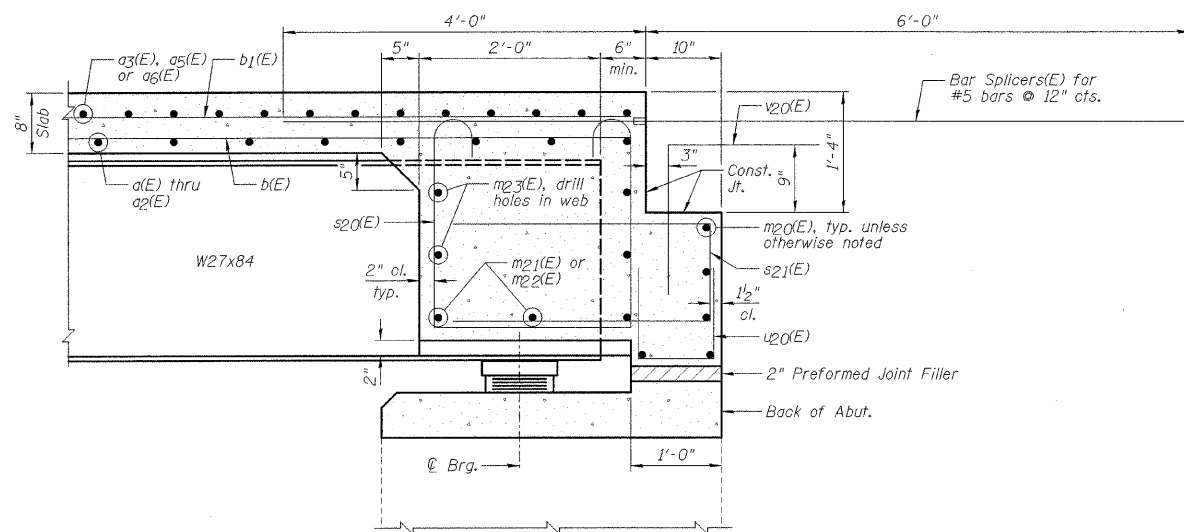
STATE OF ILLINOIS
DEPARTMENT OF TRANSPORTATION

STAGE I

STAGE II

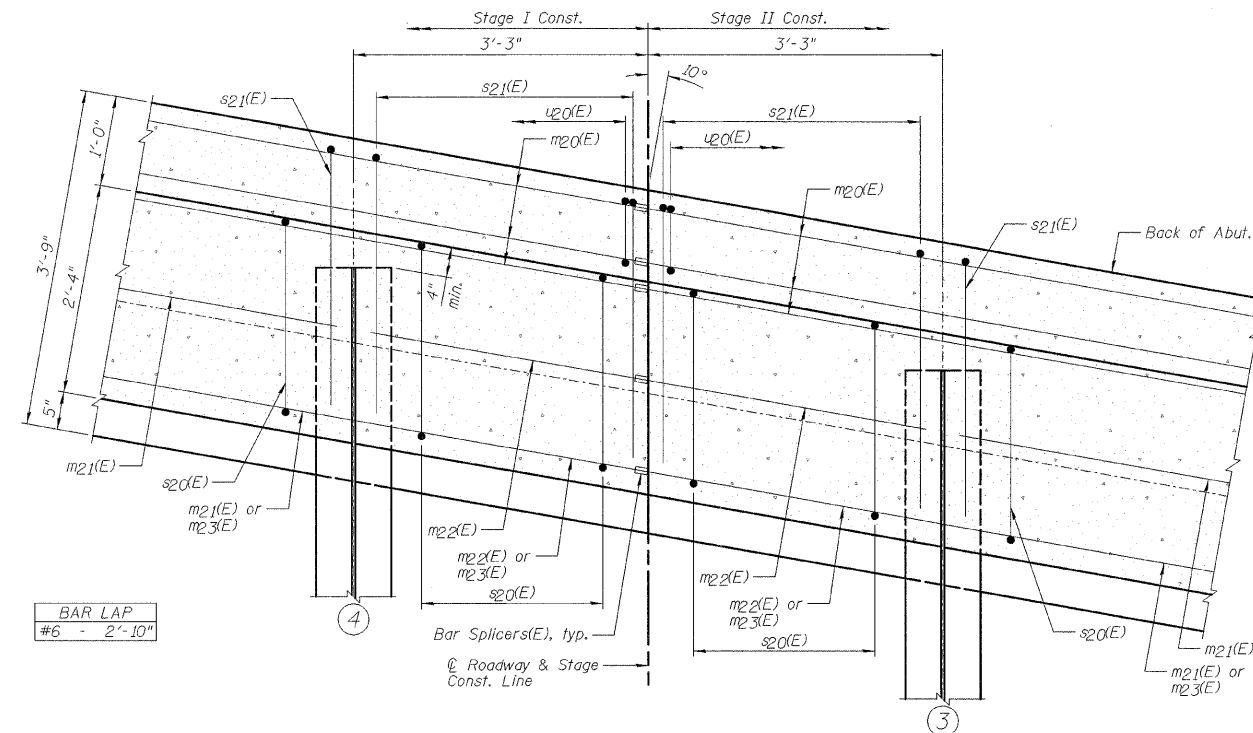


ELEVATION OF DIAPHRAGM AT WEST ABUTMENT
(Looking West)



SECTION A-A

Dimensions @ Rt. L's except as noted.



SECTION B-B

NOTES:

- 1.) See Sheet B12 for Superstructure Details and Bill of Material.
- 2.) See Sheet B19 for abutment bearing details.
- 3.) F.F. denotes Front Face.
- 4.) See Sheet B33 for Bar Splicer Details.
- 5.) Bars indicated thus 2x3-#6 etc. indicates 2 lines of bars with 3 lengths per line.

DESIGNED	SDH
CHECKED	JML
DRAWN	JWK/DJM
CHECKED	MSW

DATE 10/07/09

FARNSWORTH GROUP, INC.

CONSULTING ENGINEERS - 2709 MCGRAW DRIVE BLOOMINGTON, ILLINOIS 61704 (309) 663-8435 / (309) 663-1571 FAX

WEST ABUTMENT
DIAPHRAGM DETAILS
STRUCTURE NO. 053-0150

SHEET NO. B13	F.A.P. RTE.	SECTION	COUNTY	TOTAL SHEETS	SHEET NO.
	41	15BR-2	LIVINGSTON	64	29
34 SHEETS	CONTRACT NO. 66691				
FED. ROAD DIST. NO.		ILLINOIS FED. AID PROJECT			