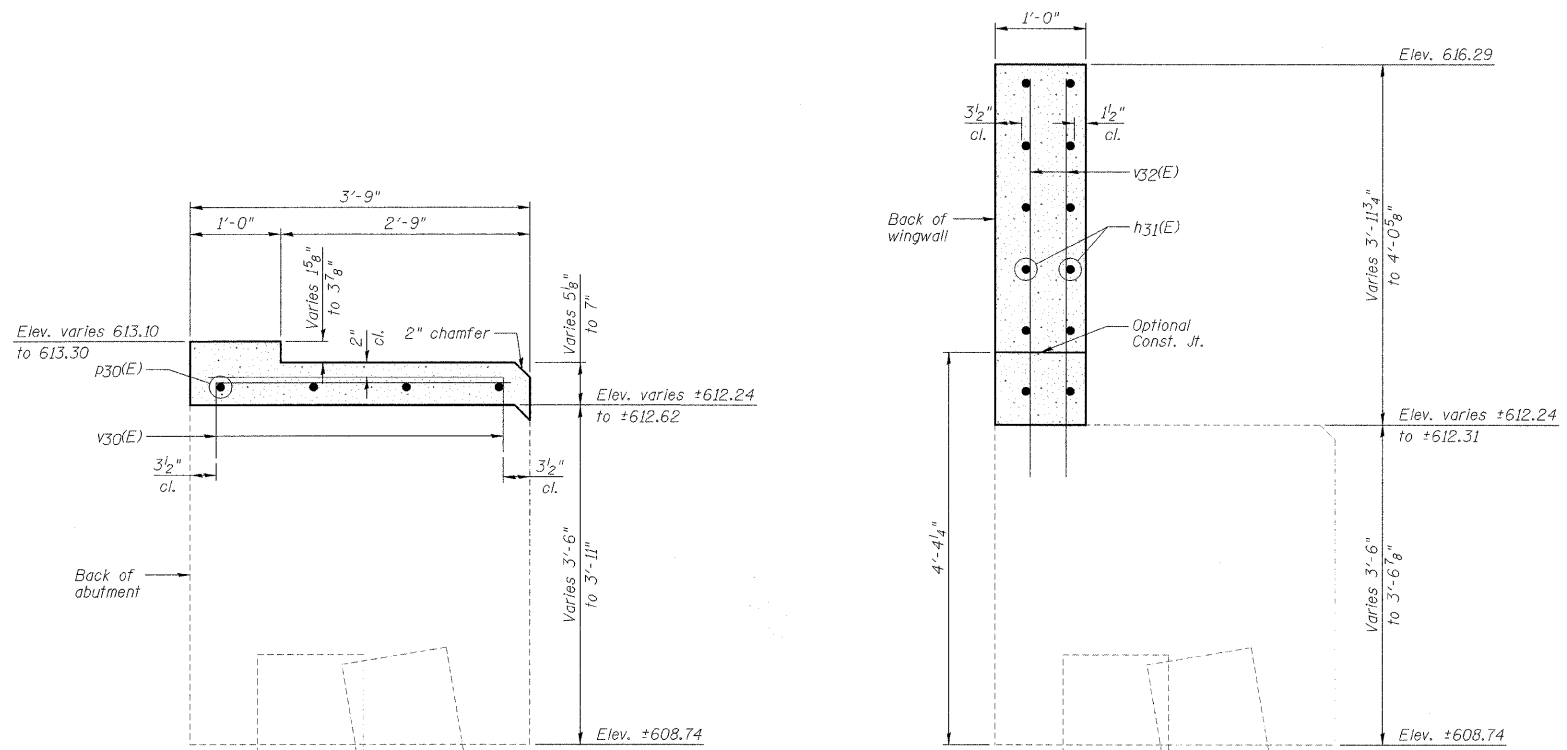
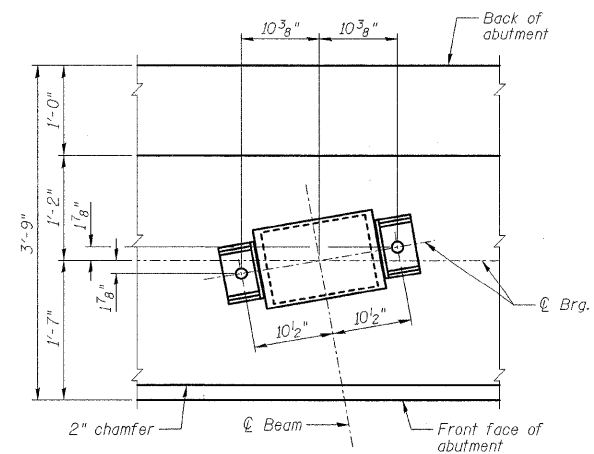


STATE OF ILLINOIS
DEPARTMENT OF TRANSPORTATION



SECTION A-A

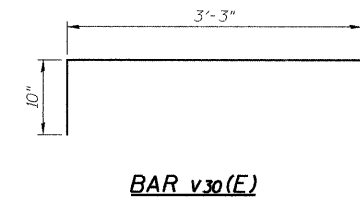
SECTION B-B



TYPICAL ANCHOR BOLT
PLACEMENT DETAIL

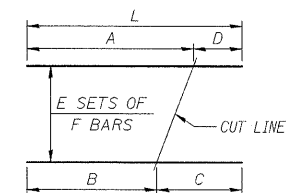
WEST ABUTMENT
BILL OF MATERIAL

Bar	No.	Size	Length	Shape
h30(E)	24	#5	5'-2"	—
h31(E)	24	#5	8'-8"	—
p30(E)	8	#4	19'-6"	—
v30(E)	80	#4	4'-1"	—
v31(E)	10	#5	11'-2"	—
v32(E)	16	#5	4'-5"	—
Item	Unit	Quantity		
Porous Granular Embankment, Special	Cu. Yd.	72		
Structure Excavation	Cu. Yd.	72		
Concrete Structures	Cu. Yd.	6.5		
Reinforcement Bars, Epoxy Coated	Pound	860		
Bar Splicers	Each	4		
Geocomposite Wall Drain	Sq. Yd.	42		
Pipe Underdrains For Structures 4"	Foot	70		



BAR v30(E)

BAR CUTTING DIAGRAM



BAR	A	B	C	D	E	F	L
v31(E)	6'-5"	4'-9"	6'-5"	4'-9"	2	5	11'-2"

NOTES:

- See Sheet B22 for location of Section A-A and Section B-B.
- Drill & epoxy grout v30(E) & v32(E) bars in appropriate drilled holes according to Section 584 of the Standard Specifications. The type of epoxy grout shall be approved by the Engineer.
- Space reinforcement in cap to miss anchor bolts.

DESIGNED	SDH
CHECKED	JML
DRAWN	JWK/DJM
CHECKED	MSW

DATE 10/07/09

FARNSWORTH GROUP, INC.

CONSULTING ENGINEERS - 2709 MCGRAW DRIVE BLOOMINGTON, ILLINOIS 61704 (309) 663-8435 / (309) 663-1571 FAX

WEST ABUTMENT
STRUCTURE NO. 053-0150

SHEET NO. B23	F.A.P. RTE.	SECTION	COUNTY	TOTAL SHEETS	SHEET NO.
34 SHEETS	41	15BR-2	LIVINGSTON	44	39
FED. ROAD DIST. NO.			ILLINOIS	FED. AID PROJECT	
CONTRACT NO. 66691					