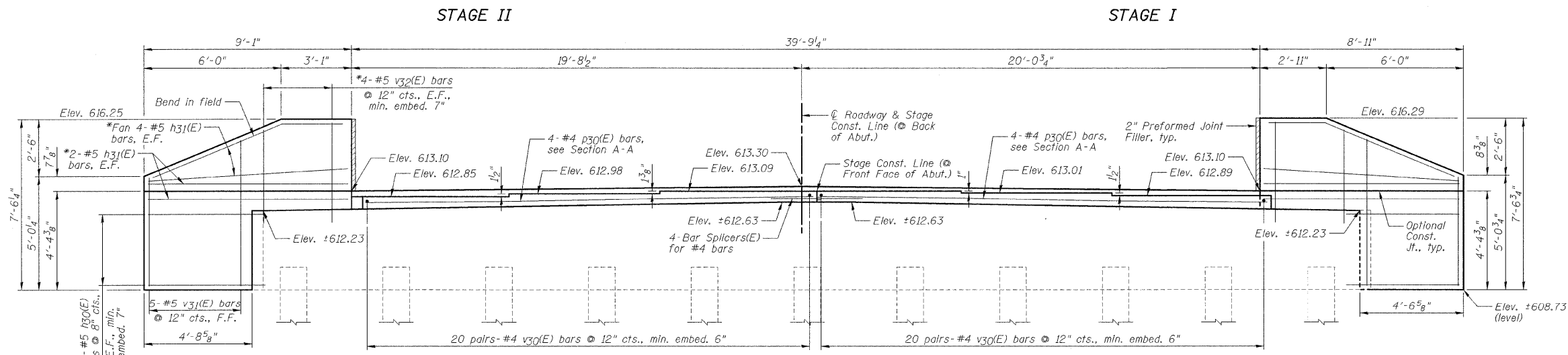
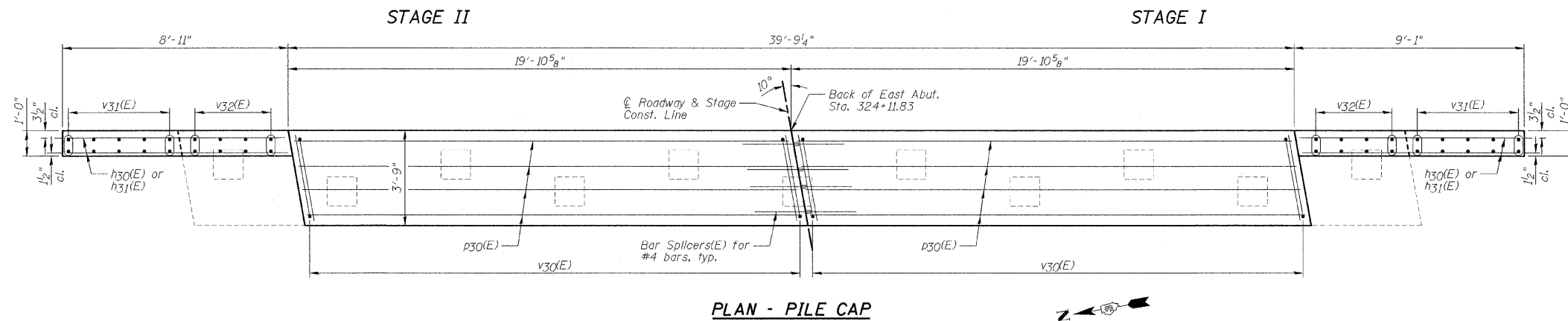
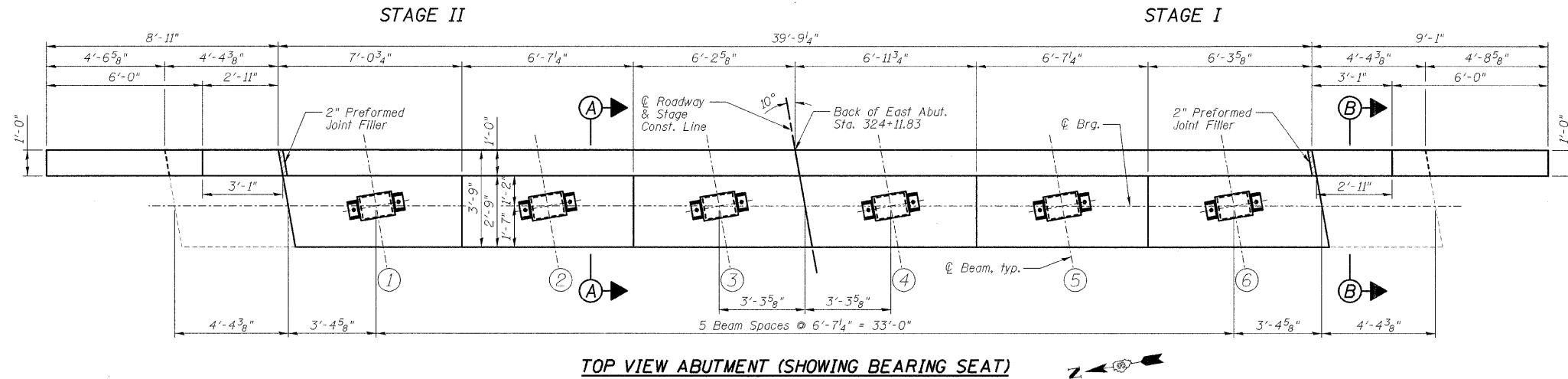


STATE OF ILLINOIS
DEPARTMENT OF TRANSPORTATION



ELEVATION
(Looking East)

NOTES:

- 1.) See Sheet B26 for Section A-A and Section B-B.
- 2.) See Sheet B26 for Bill of Material and Bar Cutting Diagram. Order v31(E) bars full length. Cut according to Bar Cutting Diagram on Sheet B26. Use remainder of bars in back face.
- 3.) Drill & epoxy grout h30(E), v30(E) & v32(E) bars in appropriate drilled holes according to Section 584 of the Standard Specifications. The type of epoxy grout shall be approved by the Engineer.
- 4.) Space reinforcement in cap to miss anchor bolts.
- 5.) E.F. denotes Each Face, F.F. denotes Front Face.
- 6.) See Sheet B33 for Bar Splicer Details.

**EAST ABUTMENT
STRUCTURE NO. 053-0150**

DESIGNED	SDH
CHECKED	JML
DRAWN	JWK/DJM
CHECKED	MSW

DATE 10/07/09

FARNSWORTH GROUP, INC.

CONSULTING ENGINEERS - 2709 MCGRAW DRIVE BLOOMINGTON, ILLINOIS 61704 (309) 663-8435 / (309) 663-1571 FAX

SHEET NO. B25	F.A.P. RTE.	SECTION	COUNTY	TOTAL SHEETS	SHEET NO.
	41	15BR-2	LIVINGSTON	64	41
34 SHEETS	CONTRACT NO. 66691		ILLINOIS FED. AID PROJECT		