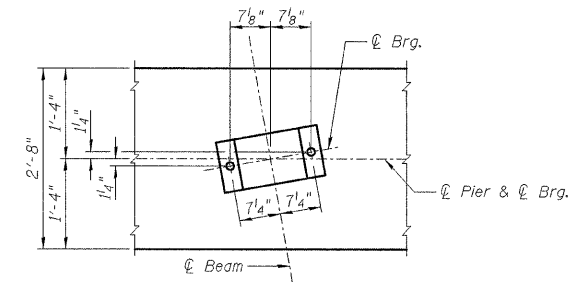
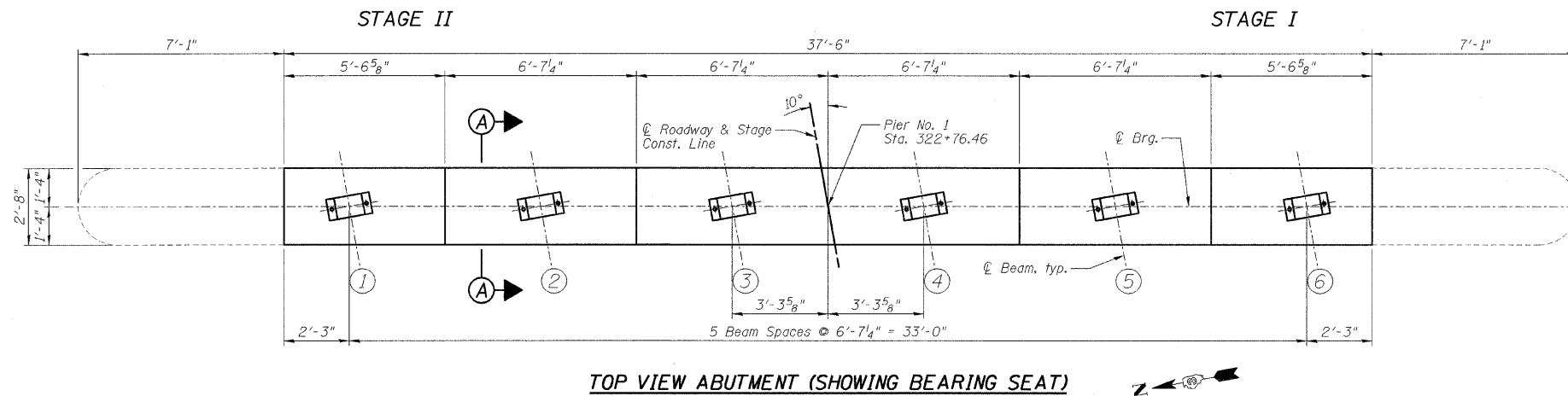
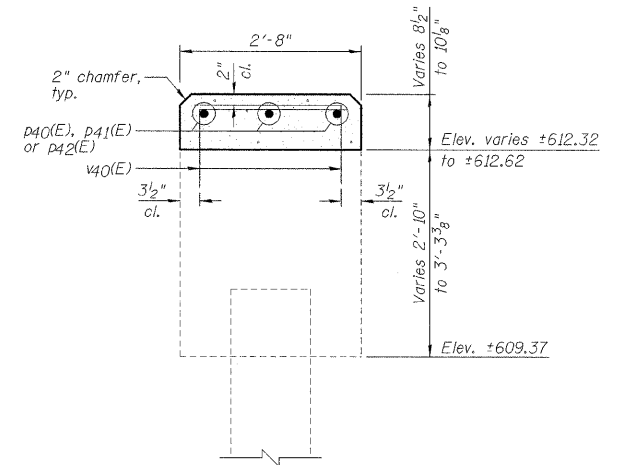
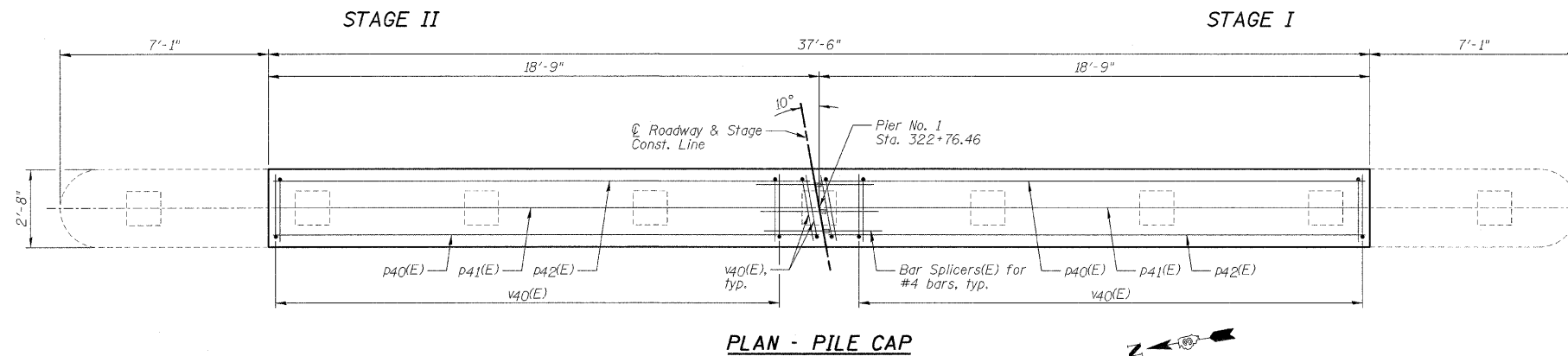


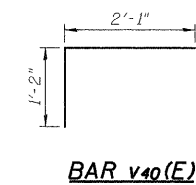
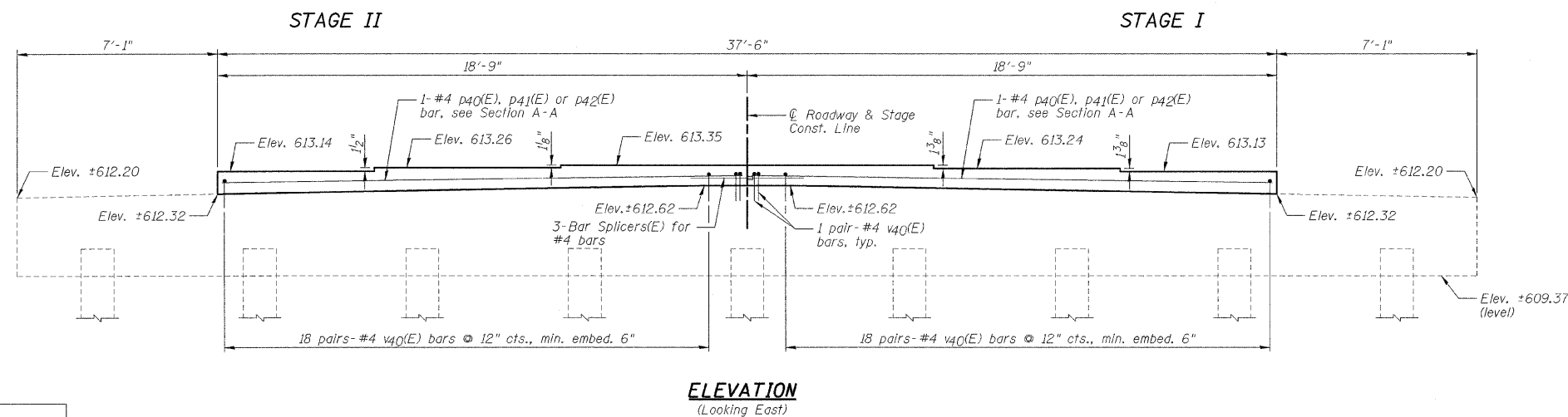
STATE OF ILLINOIS
DEPARTMENT OF TRANSPORTATION



TYPICAL ANCHOR BOLT
PLACEMENT DETAIL



SECTION A-A



PIER NO. 1
BILL OF MATERIAL

Bar	No.	Size	Length	Shape
P40(E)	2	#4	18'-7"	—
P41(E)	2	#4	18'-5"	—
P42(E)	2	#4	18'-3"	—
V40(E)	76	#4	3'-3"	—
Item	Unit	Quantity		
Concrete Structures	Cu. Yd.	2.9		
Reinforcement Bars, Epoxy Coated	Pound	240		
Bar Splicers	Each	3		

PIER NO. 1
STRUCTURE NO. 053-0150

DESIGNED	SDH
CHECKED	JML
DRAWN	JWK/DJM
CHECKED	MSW

DATE 10/07/09

FARNSWORTH GROUP, INC.

NOTES:

- 1.) Drill & epoxy grout V40(E) bars in appropriate drilled holes according to Section 584 of the Standard Specifications. The type of epoxy grout shall be approved by the Engineer.
- 2.) Space reinforcement in cap to miss anchor bolts.
- 3.) See Sheet B33 for Bar Splicer Details.

SHEET NO. B28	F.A.P. RTE.	SECTION	COUNTY	TOTAL SHEETS	SHEET NO.
34 SHEETS	41	15BR-2	LIVINGSTON	44	44
CONTRACT NO. 66691					
FED. ROAD DIST. NO. ILLINOIS FED. AID PROJECT					