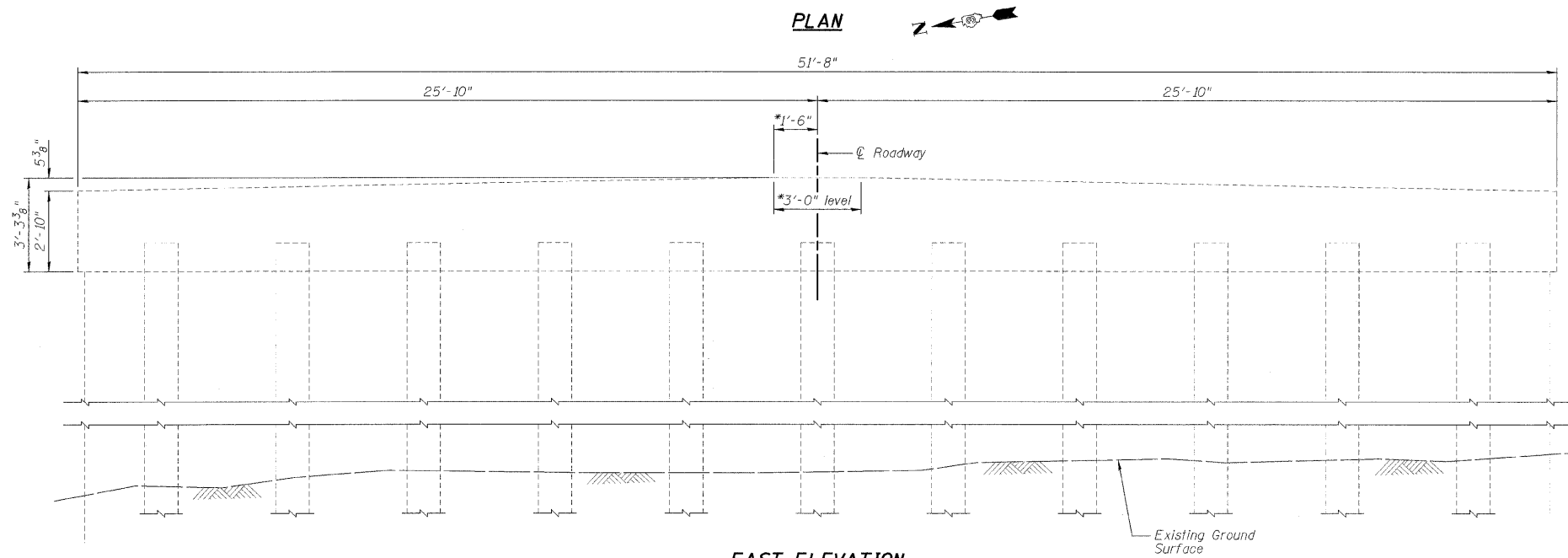
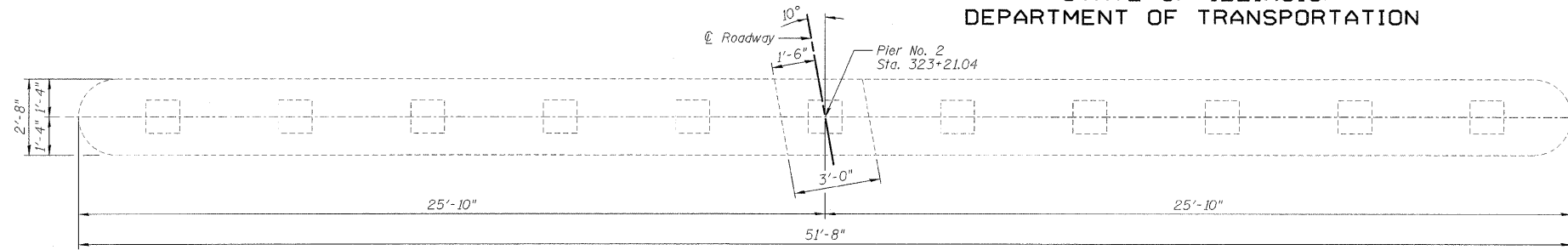
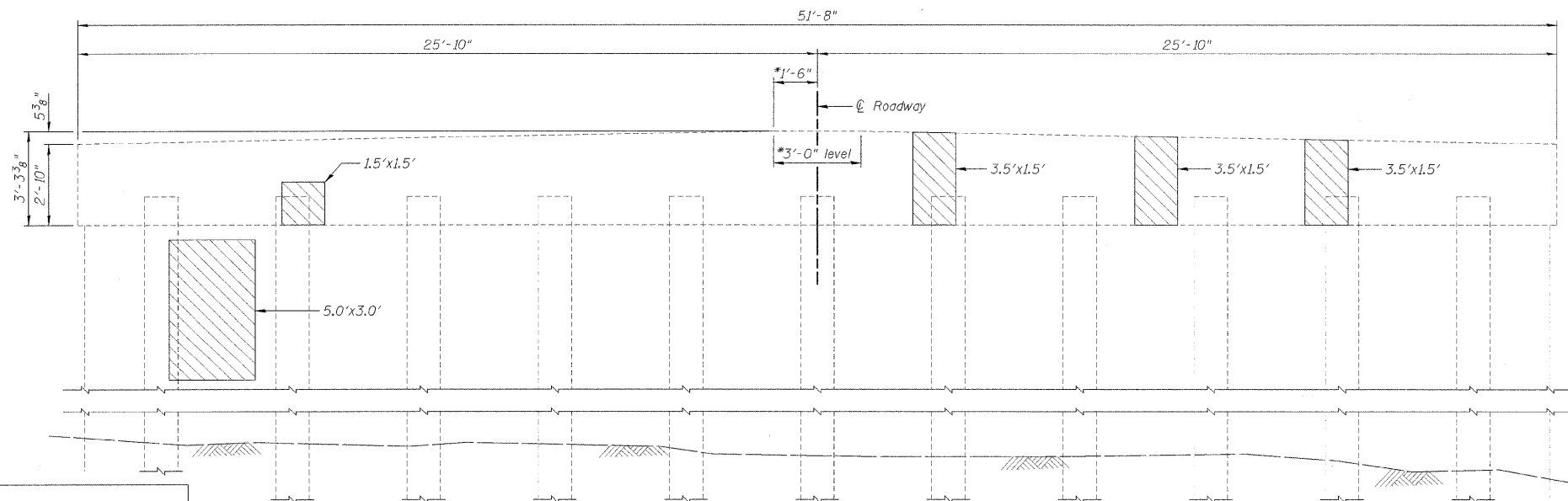
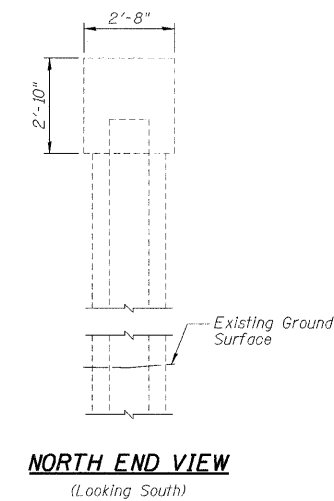


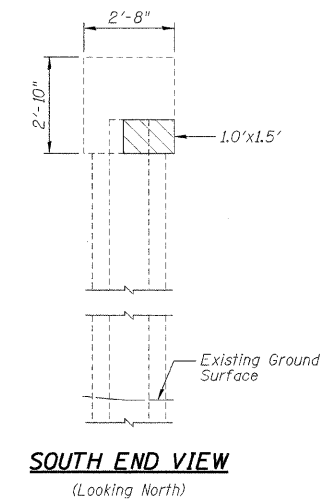
STATE OF ILLINOIS
DEPARTMENT OF TRANSPORTATION



*Dimensions @ Rt. L's to Roadway.



*Dimensions @ Rt. L's to Roadway.



BILL OF MATERIAL

Item	Unit	Total
Structural Repair of Concrete (Depth Equal to or Less Than 5 Inches)	Sq. Ft.	35

LEGEND

Structural Repair of Concrete
(Depth Equal to or Less Than 5 Inches)

DESIGNED	SDH
CHECKED	JML
DRAWN	JWK/DJM
CHECKED	MSW

DATE 10/07/09

FARNSWORTH GROUP, INC.

CONSULTING ENGINEERS - 2709 MCGRAW DRIVE BLOOMINGTON, ILLINOIS 61704 (309) 663-8435 / (309) 663-1571 FAX

PIER NO. 2 REPAIR
STRUCTURE NO. 053-0150

SHEET NO. B29	F.A.P. RTE. 41	SECTION 15BR-2	COUNTY LIVINGSTON	TOTAL SHEETS 44	SHEET NO. 45
34 SHEETS			CONTRACT NO. 66691		
FED. ROAD DIST. NO.		ILLINOIS	FED. AID PROJECT		