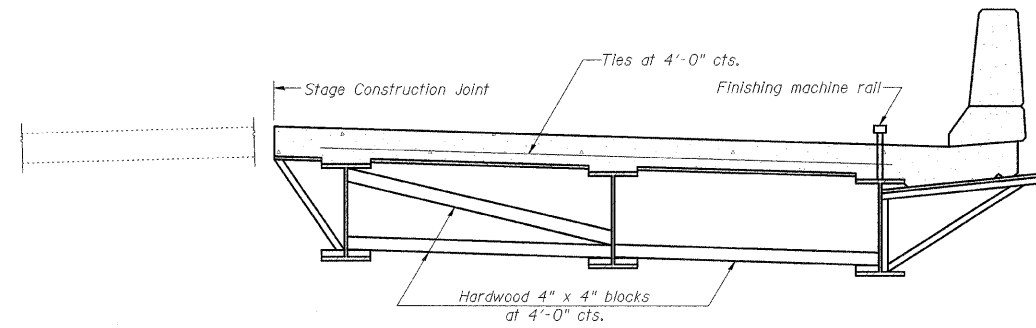
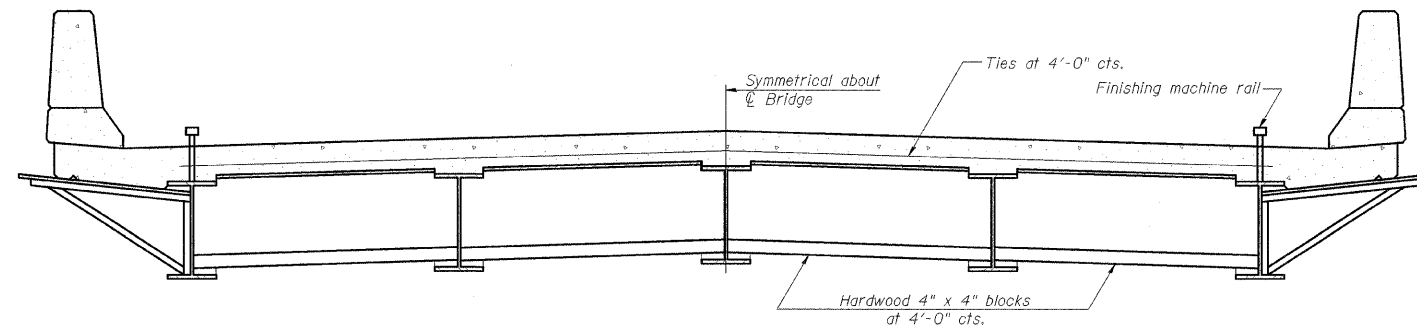


STATE OF ILLINOIS  
DEPARTMENT OF TRANSPORTATION



**FORM BRACES FOR  
STAGE CONSTRUCTION**

When cantilever forming brackets are used, the work shall be done according to Article 503.06(b) of the Standard Specifications, except as modified below and in the details shown on this sheet.  
The finishing machine rails shall be placed on the top flange of the exterior beams.  
The beams or girders, supporting cantilever forming brackets, shall be tied together at 4 foot intervals.  
For Standard construction, or Stage Construction the Hardwood bracing materials shall be placed as shown between webs of beams in each bay.



**FORM BRACES FOR  
STANDARD CONSTRUCTION**

**CANTILEVER FORMING BRACKETS  
FOR SUPERSTRUCTURES WITH  
W27 BEAMS AND SMALLER  
STRUCTURE NO. 053-0150**

DESIGNED	SDH
CHECKED	JML
DRAWN	JWK/DJM
CHECKED	MSW

DATE 10/07/09

SB-1

10-1-08

SHEET NO. B34	F.A.P. RTE.	SECTION	COUNTY	TOTAL SHEETS	SHEET NO.
	41	15BR-2	LIVINGSTON	64	50
34 SHEETS	CONTRACT NO. 66691				
FED. ROAD DIST. NO.		ILLINOIS FED. AID PROJECT			