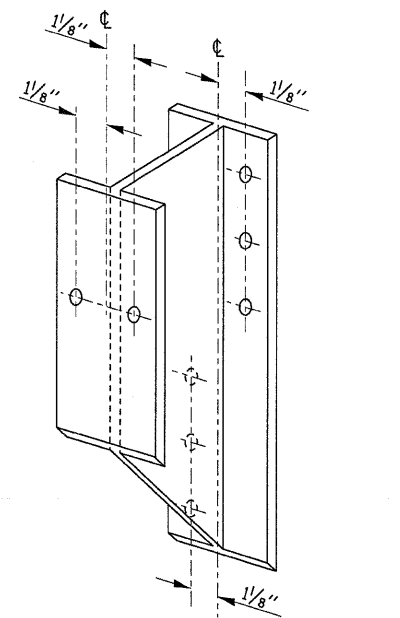
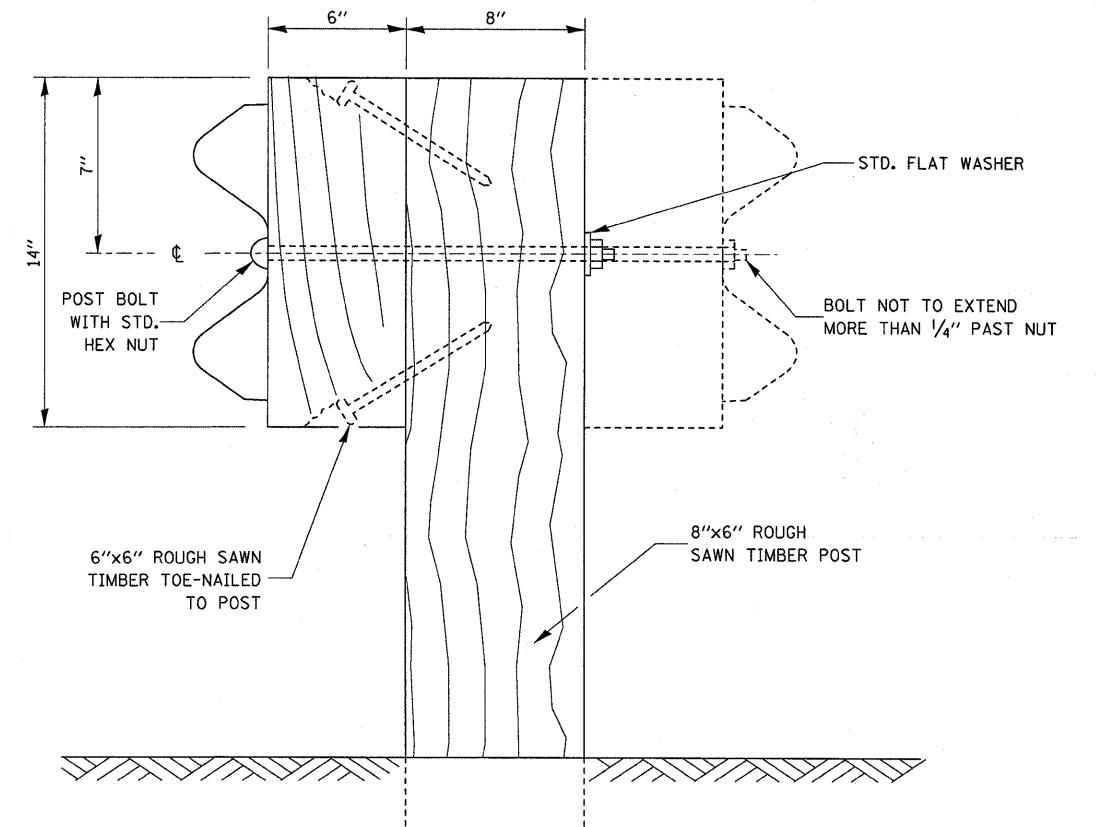


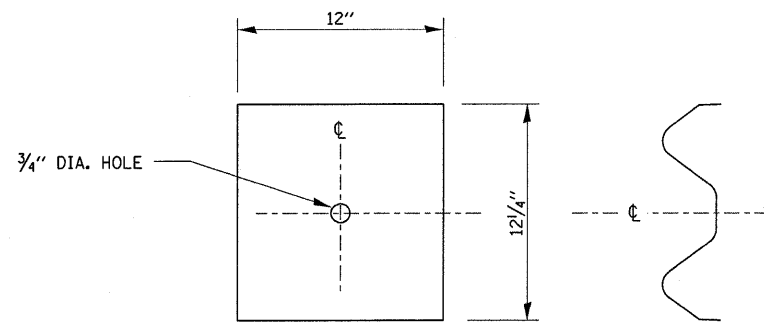
STEEL POST CONSTRUCTION



STEEL BLOCK-OUT DETAIL

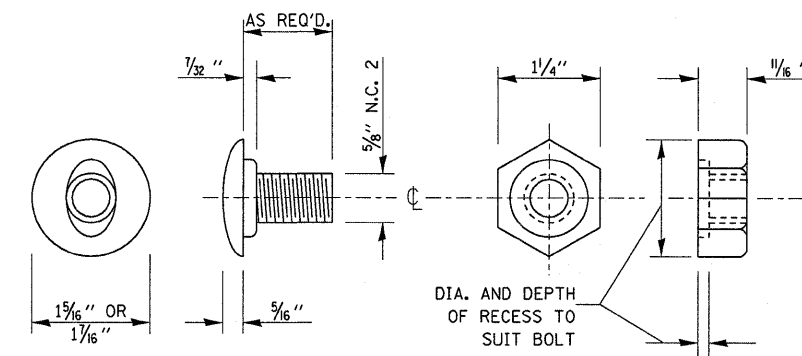


WOOD POST CONSTRUCTION



NOTE:
 PLATE A SHALL BE PLACED BETWEEN RAIL
 ELEMENT AND BLOCK-OUT AT NON-SPLICE
 MOUNTING POINTS ONLY WHEN STEEL
 BLOCK-OUTS ARE USED.

PLATE A



POST OR SPLICE BOLT & NUT

FILE NAME =	USER NAME = schworkerg	DESIGNED -	REVISED -	STATE OF ILLINOIS DEPARTMENT OF TRANSPORTATION	REMOVE AND REERECT STEEL PLATE BEAM GUARDRAIL	F.A.P. RTE.	SECTION	COUNTY	TOTAL SHEETS	SHEET NO.	
ci:\pw_work\pwidot\schworkerg\dms73146\d	tei1a.dgn	DRAWN -	REVISED -			41	15BR-2	LIVINGSTON	64	56	
	PLOT SCALE = 50.0000' / IN.	CHECKED -	REVISED -			CONTRACT NO. 66691					
	PLOT DATE = Oct 16, 2009 - 03:00:29 PM	DATE -	REVISED -			SCALE:	SHEET NO. 2 OF 4 SHEETS	STA.	TO STA.	FED. ROAD DIST. NO.	ILLINOIS FED. AID PROJECT