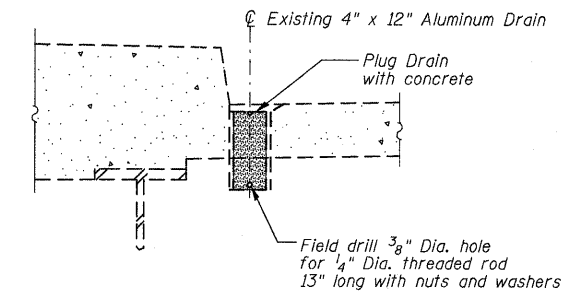
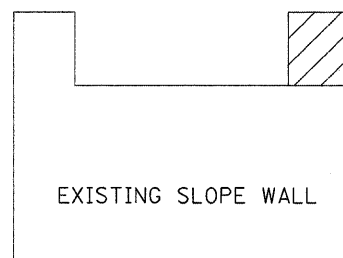


ABUTMENT/SLOPE WALL REPAIR DETAIL



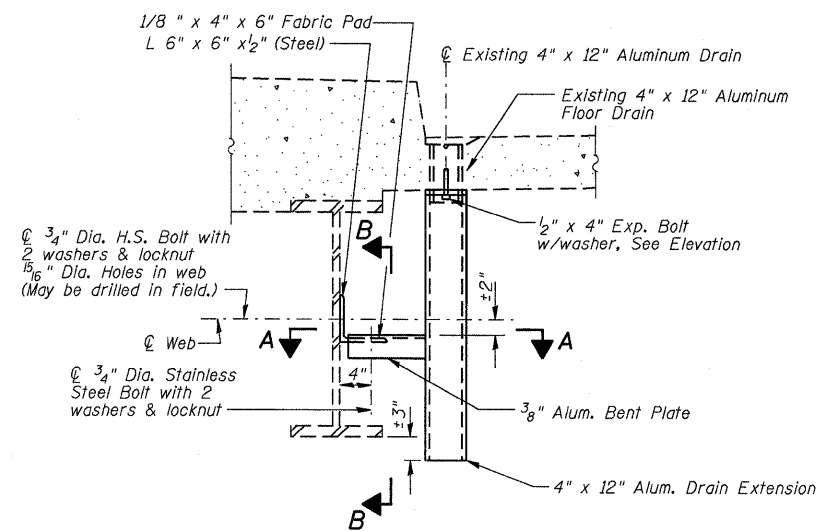
DRAIN ELIMINATION DETAIL

REMOVE & REPLACE SLOPEWALL AS DESCRIBED IN THE SPECIAL PROVISION. EXISTING FABRIC SHALL BE LAPPED A MINIMUM OF 6" BY NEW FABRIC.

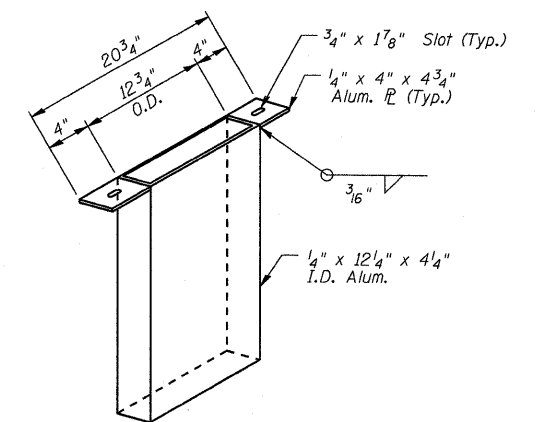


— SLOPE WALL REPAIR

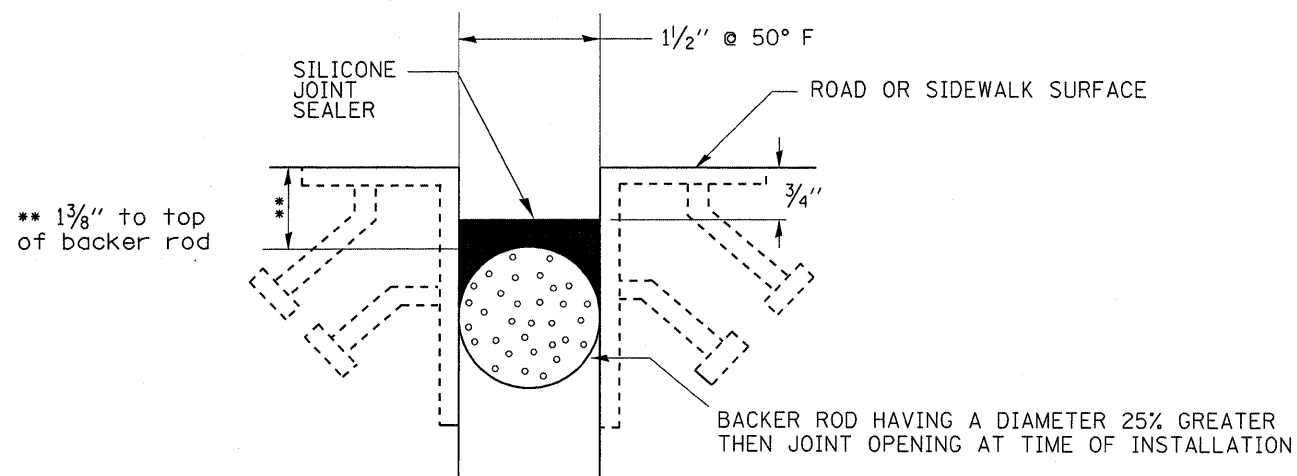
SLOPE WALL REPAIR DETAIL



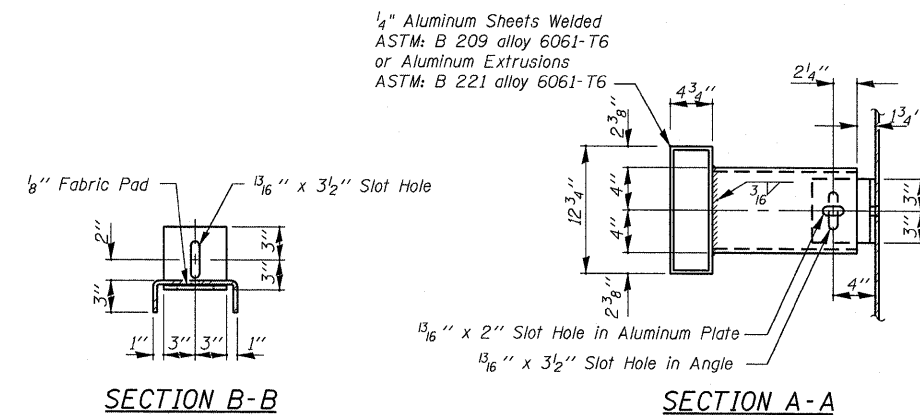
SECTION AT DRAIN



ELEVATION



SILICONE JOINT SEAL



SECTION B-B

SECTION A-A

DRAIN EXTENSION DETAIL

Note: Expansion bolts, nuts, angles, bolts, & plate will not be paid for separately but shall be included in the cost for "Floor Drain Extension."

FILE NAME =	USER NAME = duncenbd	DESIGNED - HJL	REVISED -
c:\pwork\pwidot\duncanbd\dms38392\ep5185-sht-bridgerepairs.DGN	5185-sht-bridgerepairs.DGN	DRAWN - BDD	REVISED -
PLOT SCALE = 50.0000' / IN.		CHECKED - BDD	REVISED -
PLOT DATE = Oct 21, 2009 - 08:57:08 AM		DATE - 10/19/2009	REVISED -

**STATE OF ILLINOIS
DEPARTMENT OF TRANSPORTATION**

SN 038-0127 REPAIRS

SCALE: SHEET NO. OF SHEETS STA. TO STA.

F.A.I. RTE.	SECTION	COUNTY	TOTAL SHEETS	SHEET NO.
57	(38-1,2)RS-2 & I	IROQUOIS	263	49
				CONTRACT NO. 66981
ILLINOIS FED. AID PROJECT				