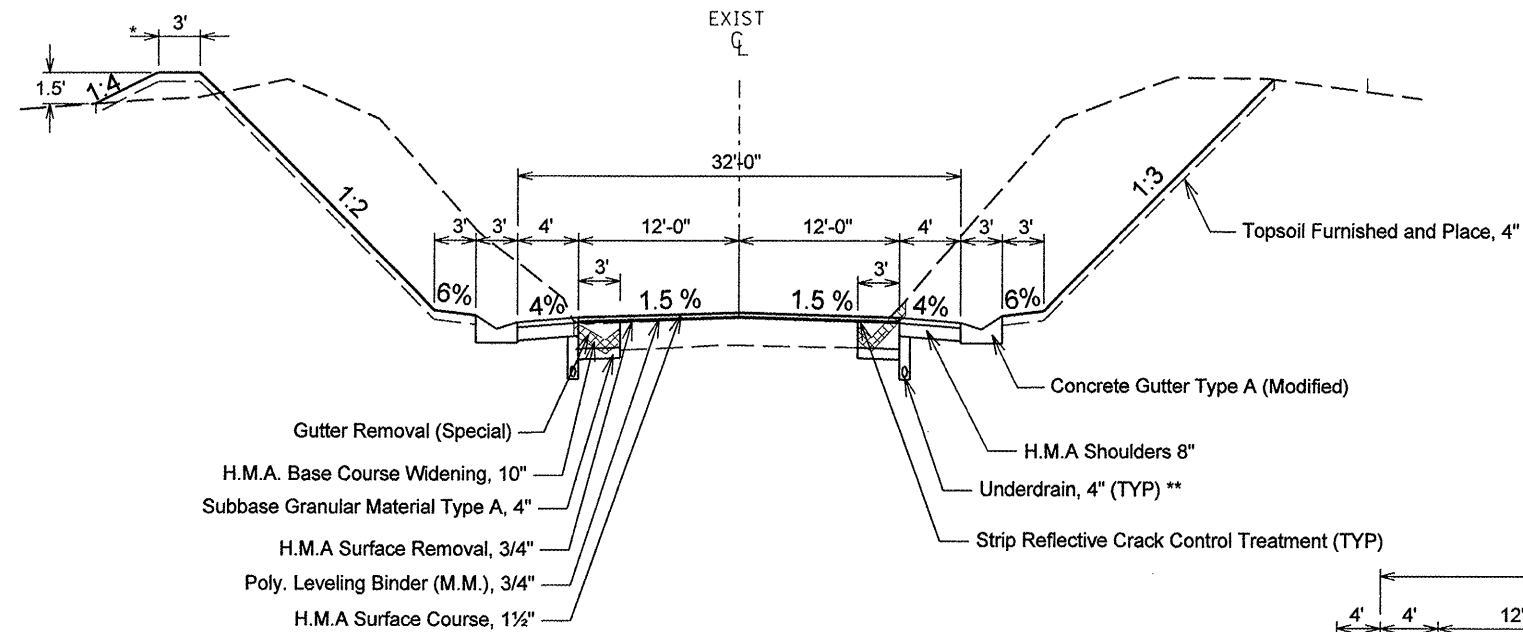


• PROPOSED BERM
 LT STA. 557+50.00 TO STA. 562+50.00
 RT STA. 558+50.00 TO STA. 559+50.00

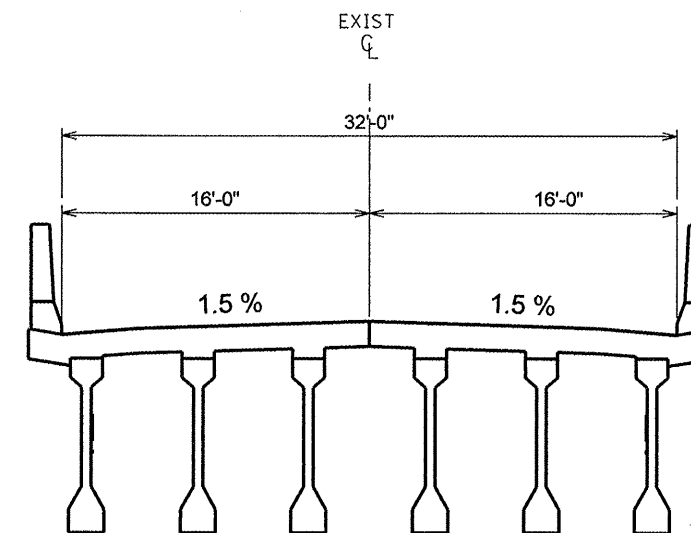


STA. 557+50 TO STA. 563+00

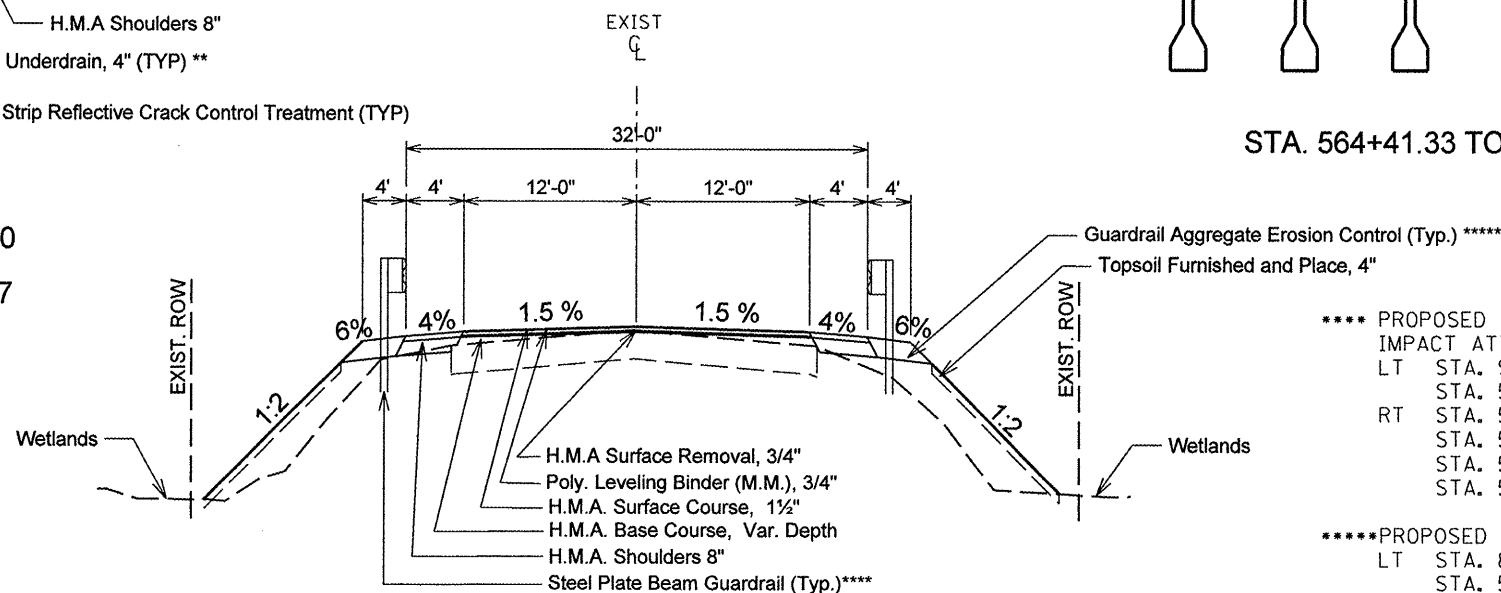
STA. 580+50 TO STA. 585+17

•• PROPOSED UNDERDRAIN, 4"
 LT STA. 557+50.00 TO STA. 563+20.60
 STA. 578+90.90 TO STA. 585+05.96
 RT STA. 557+50.00 TO STA. 563+20.00
 STA. 580+16.82 TO STA. 585+17.00

••• PROPOSED STRIP REFLECTIVE CRACK CONTROL TREATMENT
 LT STA. 557+50.00 TO STA. 564+08.74
 STA. 580+20.00 TO STA. 585+21.43
 RT STA. 557+50.00 TO STA. 564+01.92
 STA. 580+49.98 TO STA. 585+20.10



STA. 564+41.33 TO STA. 565+36.00

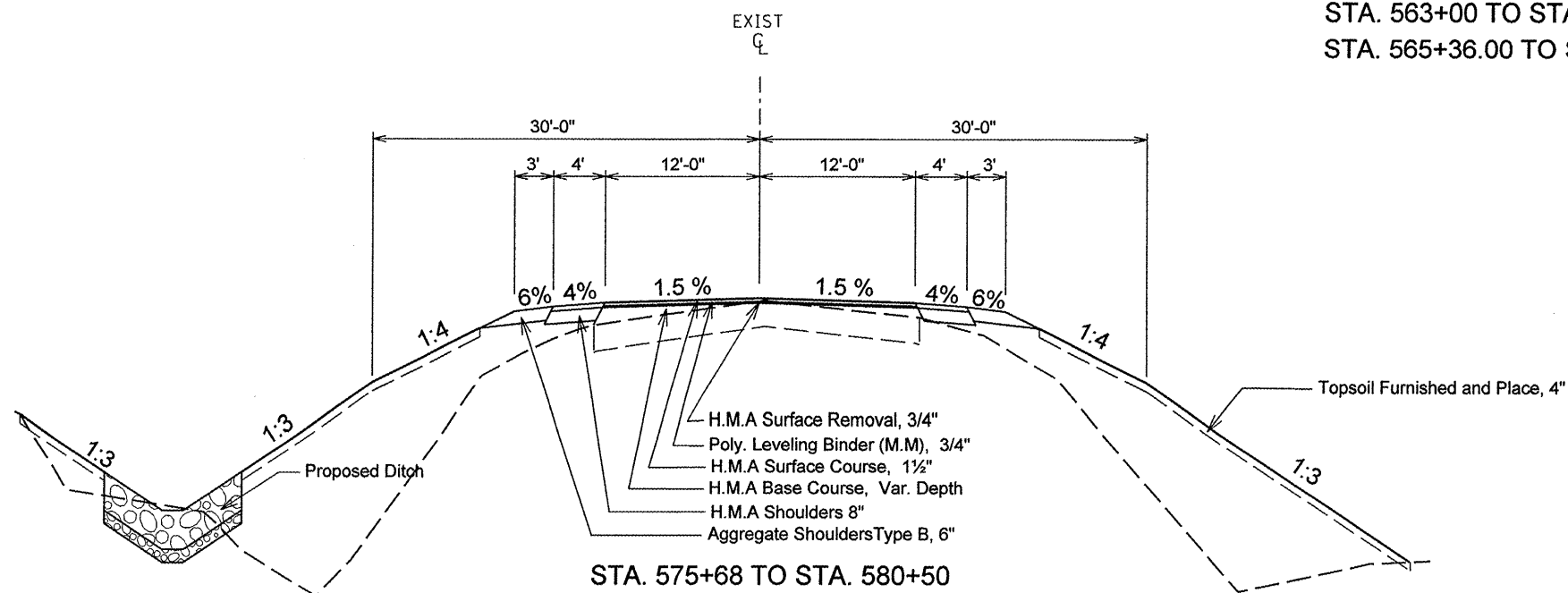


STA. 563+00 TO STA. 564+41.33

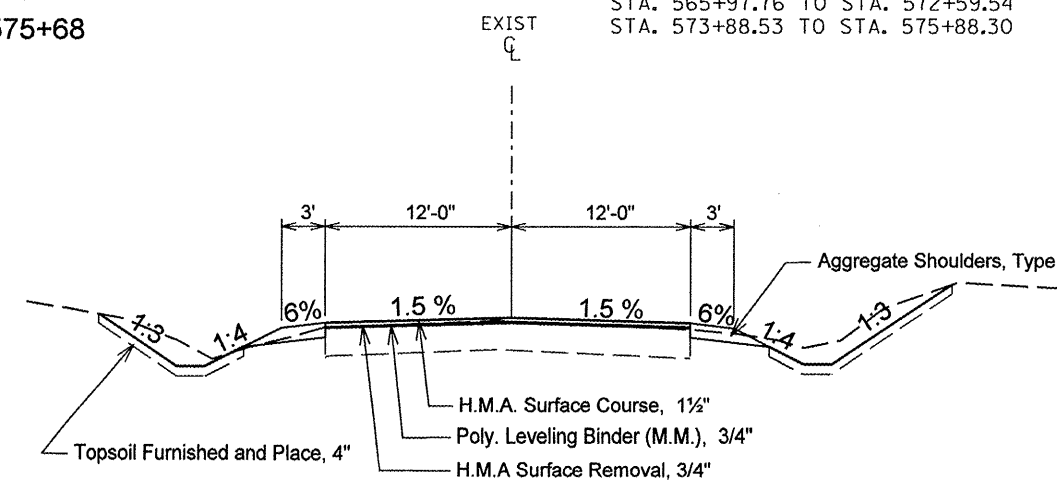
STA. 565+36.00 TO STA. 575+68

•••• PROPOSED GUARDRAIL, TRAFFIC BARRIER TERMINAL, IMPACT ATTENUATOR
 LT STA. 9+07.81 (E 2400) TO STA. 564+36.57
 STA. 565+51.19 TO STA. 575+59.73
 RT STA. 563+17.00 TO STA. 564+25.75
 STA. 565+45.80 TO STA. 565+66.80
 STA. 566+06.76 TO STA. 572+31.54
 STA. 573+97.53 TO STA. 575+72.30

••••• PROPOSED G.R. AGG. EROSION CONTROL - 8"
 LT STA. 8+76.66 (E 2400) TO STA. 564+47.83
 STA. 565+41.71 TO STA. 575+76.95
 RT STA. 563+03.25 TO STA. 564+35.61
 STA. 565+29.26 TO STA. 565+75.34
 STA. 565+97.76 TO STA. 572+59.54
 STA. 573+88.53 TO STA. 575+88.30



STA. 575+68 TO STA. 580+50



STA. 585+17 TO STA. 588+70

NOTES:

- SEE BRIDGE PLANS FOR BRIDGE APPROACH SLAB DETAILS (STA. 564+11.33 - STA. 564+41.33 & STA. 565+36.00 - STA. 565+66.00)
- SEE STANDARD 420401 FOR ADDITIONAL DETAILS OF BRIDGE APPROACH PAVEMENT CONNECTOR (FLEXIBLE)

EFK•Moen, LLC
 Civil Engineering Design

FILE NAME =	USER NAME = jd	DESIGNED -	REVISD -
Z:\08856.Shaw.Creek\ dgn\Design\Final\PI\ sheets\07-D468352-sht-typical2.dgn		DRAWN - JD	REVISD -
PLOT SCALE = 10.0000' / IN.		CHECKED - SD	REVISD -
PLOT DATE = 10/16/2009		DATE - 10/15/09	REVISD -

STATE OF ILLINOIS
 DEPARTMENT OF TRANSPORTATION

TYPICAL SECTIONS

SCALE: N.T.S. SHEET NO. 2 OF 2 SHEETS

F.A.P. RTE.	SECTION	COUNTY	TOTAL SHEETS	SHEET NO.
685	37BR-1	MCDONOUGH	138	7
CONTRACT NO. 68352				
FED. ROAD DIST. NO. ILLINOIS FED. AID PROJECT				