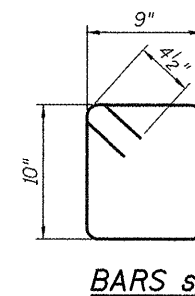
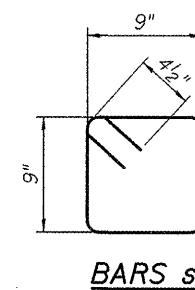
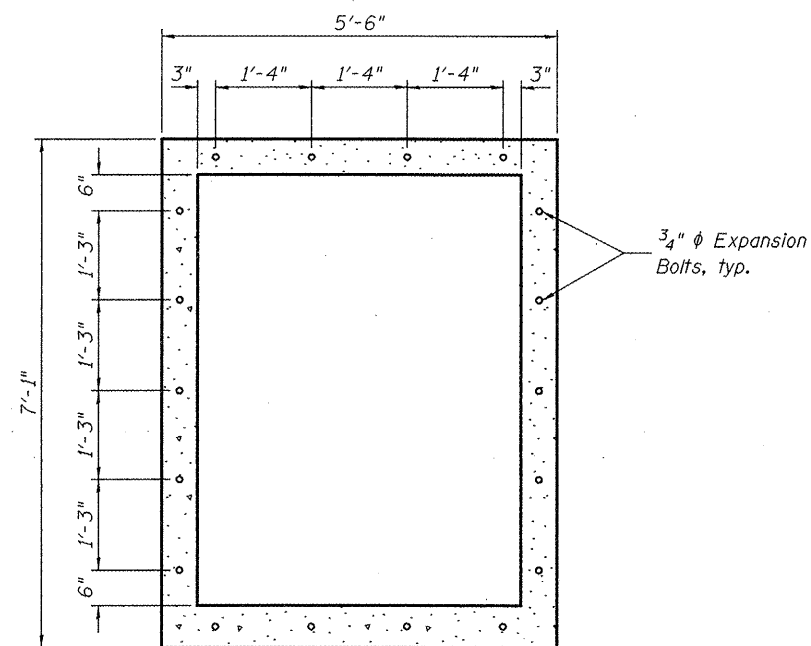
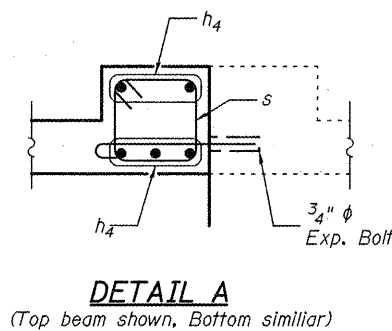
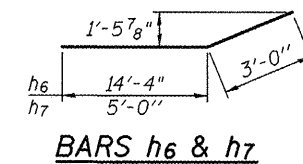
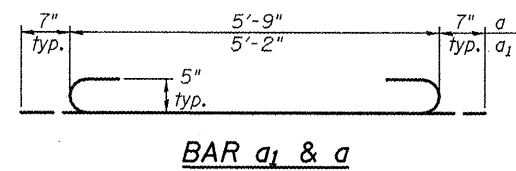
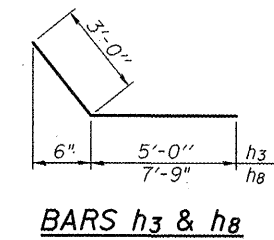
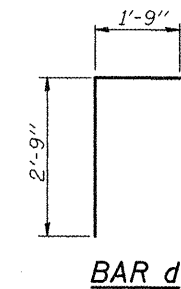


SECTION THRU BARREL



EFK Moen, LLC
Civil Engineering Design

FILE NAME =	USER NAME = SEC	DESIGNED - PMM	REVISED -
#FILE#		DRAWN - DP	REVISED -
	PLOT SCALE = NTS	CHECKED -	REVISED -
	PLOT DATE = 9/23/2009	DATE - 9/23/09	REVISED -

STATE OF ILLINOIS
DEPARTMENT OF TRANSPORTATION

BOX CULVERT EXTENSION STA. 574 + 65.49
DETAILS

F.A.S. RTE.	SECTION	COUNTY	TOTAL SHEETS	SHEET NO.
685	37BR-1	MCDONOUGH	138	41
CONTRACT NO. 68352			ILLINOIS FED. AID PROJECT	

SCALE: N.T.S. SHEET NO. 3 OF 6 SHEETS STA. TO STA.