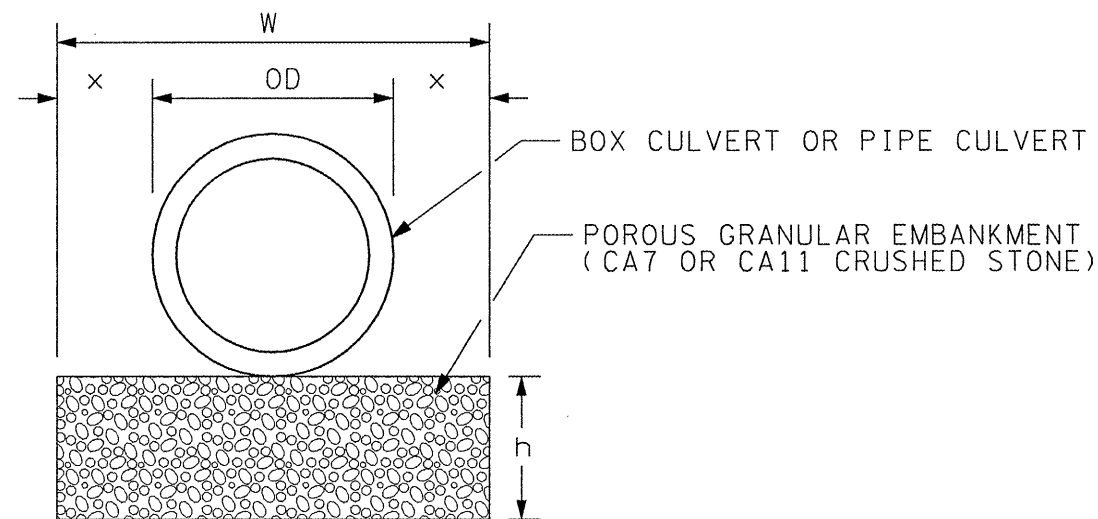
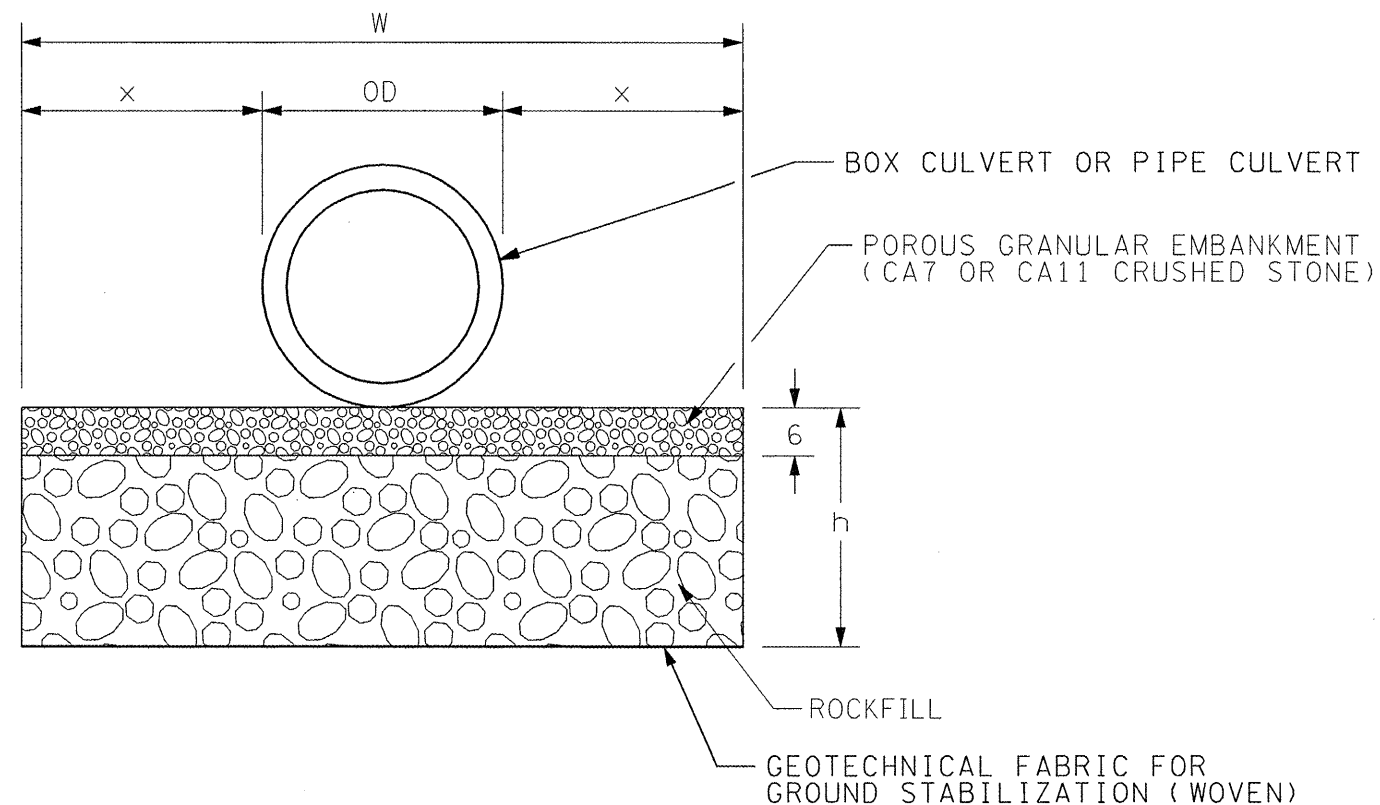


DESIGNER NOTES: 1. CHECK WITH THE DISTRICT GEOTECHNICAL ENGINEER FOR USE OF THIS DRAWING AND FOR UNDERCUT DEPTHS IF NOT PROVIDED OR SHOWN IN PROJECT SOILS REPORT.
 2. ASSURE TREATMENT AREAS ARE SHOWN IN PLANS AND ON CROSS SECTIONS.
 3. INCLUDE SOIL BORINGS FOR TREATED AREAS.



ALTERNATE I: FOR 12" TO 18" UNDERCUT



ALTERNATE II: FOR 18" TO 36" UNDERCUT

CULVERT LOCATION	UNDERCUT			
	DEPTH	WIDTH		
	h	x	OD	W
577+96.14	30"	30"	51"	111"

GENERAL NOTES:

- Undercut if the Dynamic Cone Penetrometer tests indicate soil strength is less than 1 ton/sq ft.
- DEFINITIONS:
 OD = Outside Diameter or outside width of box culvert
 h = Depth of undercut (for precast box culverts, the upper 6" is included in the cost of culvert).
 x = h or min. width specified in Sec. 542.04, which ever is greater for pipe culverts.
 x = h or minimum 2 feet, which ever is greater for box culverts.
 W = Width of undercut = 2x + OD
- For undercuts greater than 36", use Alternate II with undercut treatments as directed by the District Geotechnical Engineer.

All dimensions are in inches (millimeters) unless otherwise noted.

FILE NAME =	USER NAME = jd	DESIGNED -	REVISED -	STATE OF ILLINOIS DEPARTMENT OF TRANSPORTATION	UNSUITABLE EXCAVATION TREATMENT FOR CULVERTS	F.A.P. RTE.	SECTION	COUNTY	TOTAL SHEETS	SHEET NO.
Z:\08055_Shaw_Creek\dgn\Design\Final\Plotsheets\46-D468352-culvert_detail_sheet.dgn	DRAWN - LE	REVISED -	685			37BR-1	MCDONOUGH/FULTON	138	46	
PLOT SCALE = 2.0000 "/ IN.	CHECKED - SD	REVISED -	CONTRACT NO. 68352							
PLOT DATE = 10/15/2009	DATE - 10/15/09	REVISED -	SCALE: NTS			SHEET NO. 1 OF 1 SHEETS	STA. TO STA.	FED. ROAD DIST. NO.	ILLINOIS FED. AID PROJECT	