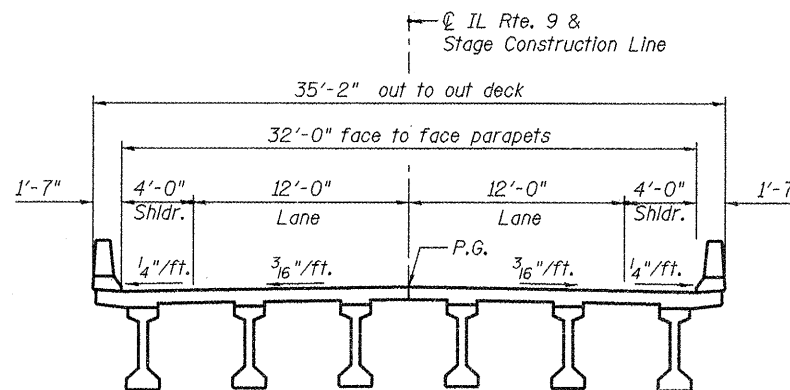
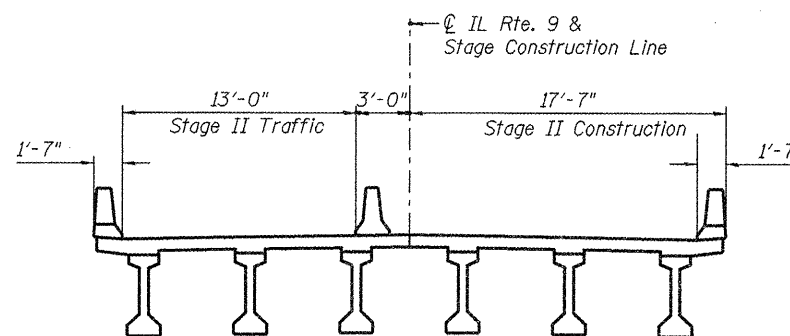
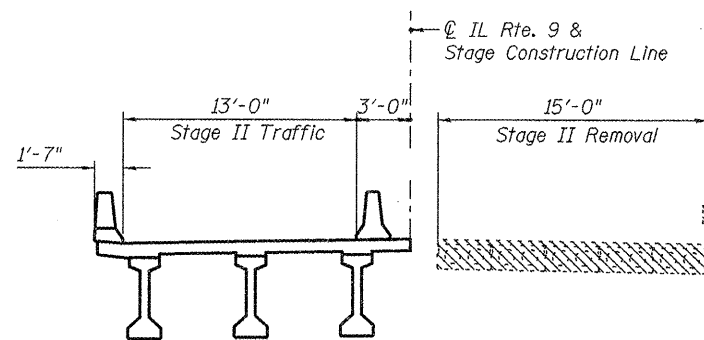
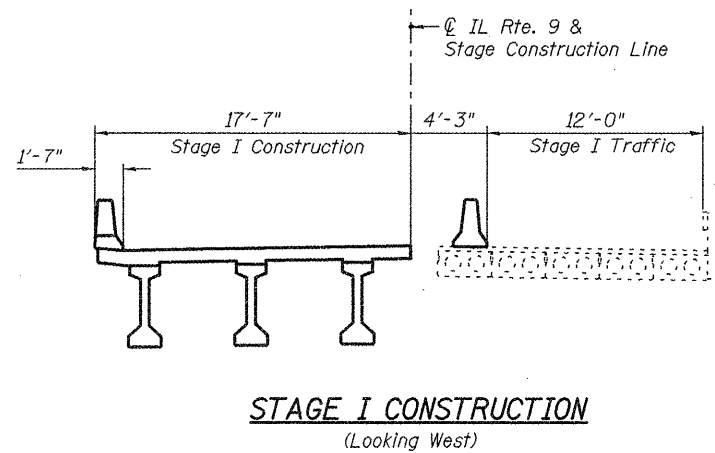
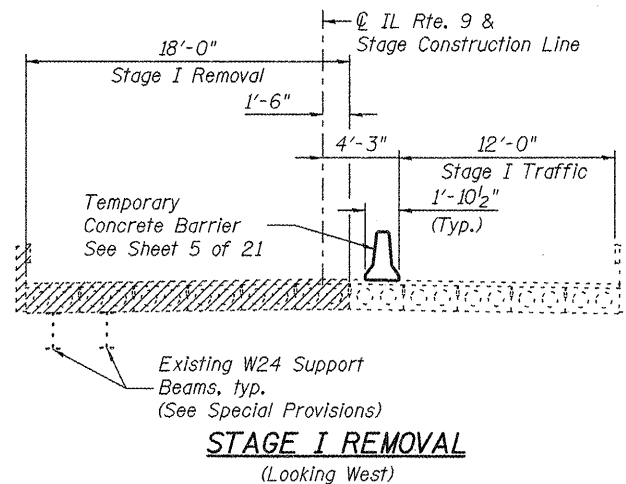


STATE OF ILLINOIS  
DEPARTMENT OF TRANSPORTATION



Notes:

Hatched area indicates Removal of Existing Structures.

For quantity and location of Temporary Construction Barrier, see Roadway Plans.

DESIGNED	PMM
CHECKED	SEC
DRAWN	PMM
CHECKED	SEC

STAGE CONSTRUCTION DETAILS				
STRUCTURE NO. 055-0079				
SHEET NO. 3	EFK • Moen, LLC Civil Engineering Design		331 Salem Place Suite 225 Fairview Heights, IL 62208	
	F.A.P. RTE. 685		SECTION 37BR-1	COUNTY MCDONOUGH
21 SHEETS	TOTAL SHEETS 138		SHEET NO. 58	
CONTRACT NO. 68352				
FED. ROAD DIST. NO.		ILLINOIS	FED. AID PROJECT	