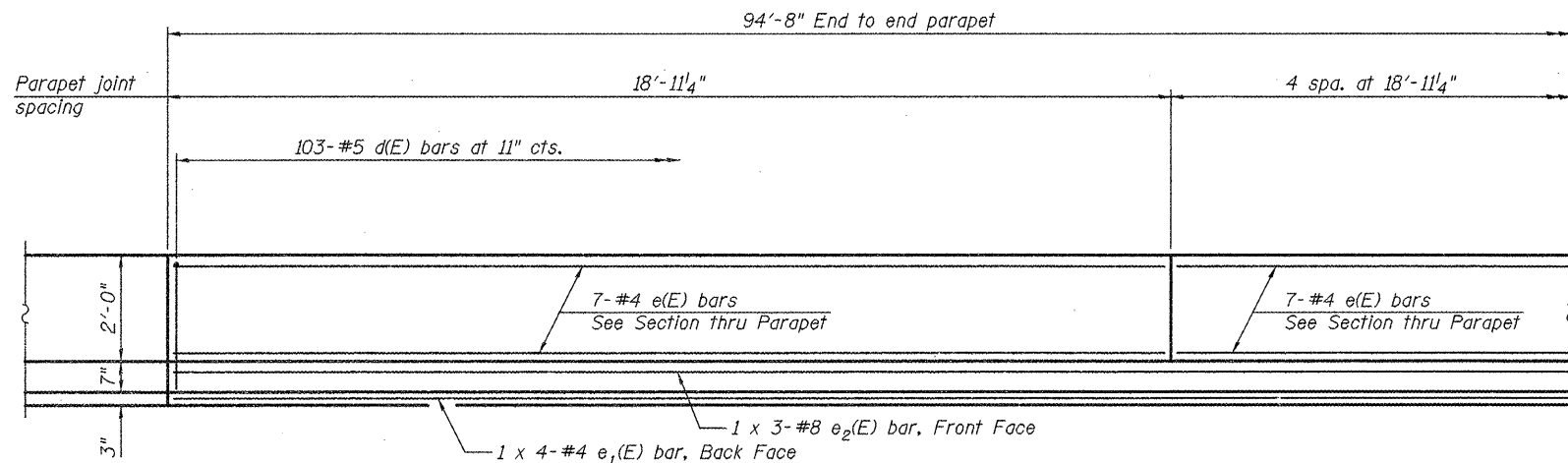
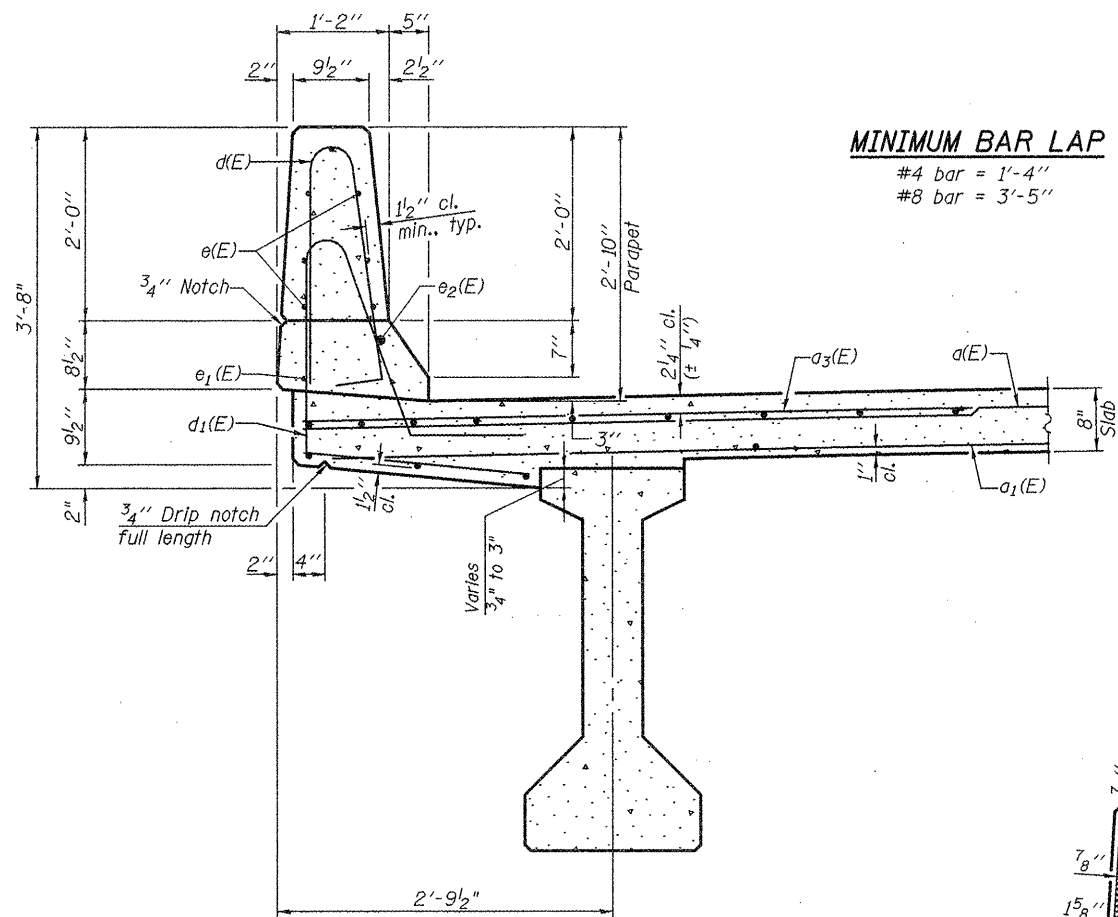


STATE OF ILLINOIS
DEPARTMENT OF TRANSPORTATION

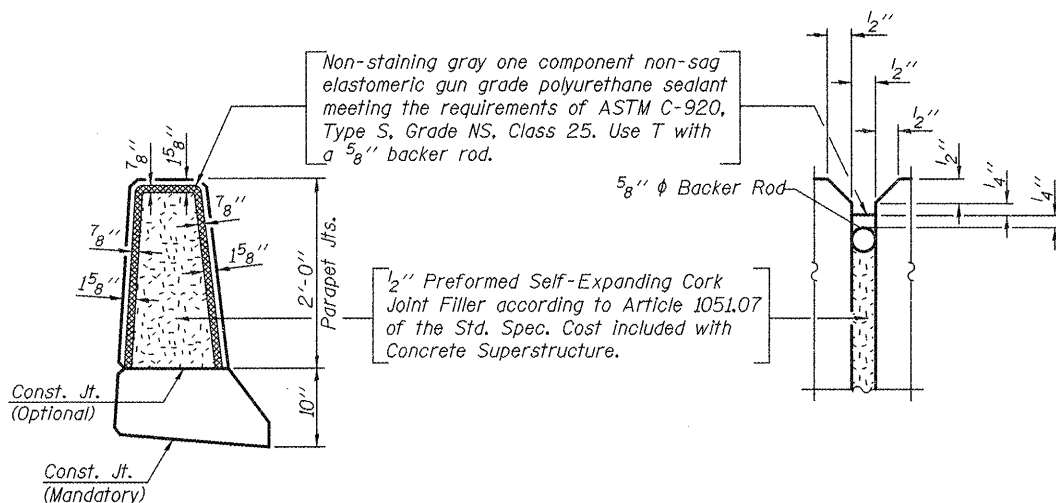


INSIDE ELEVATION OF PARAPET

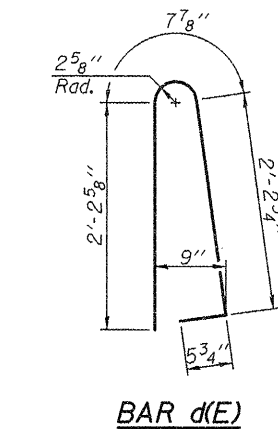


SECTION THRU PARAPET

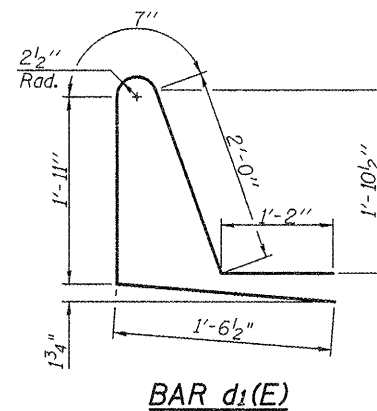
MINIMUM BAR LAP
#4 bar = 1'-4"
#8 bar = 3'-5"



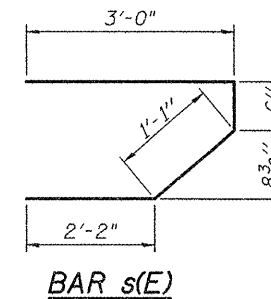
PARAPET JOINT DETAILS



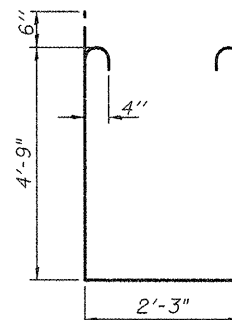
BAR d(E)



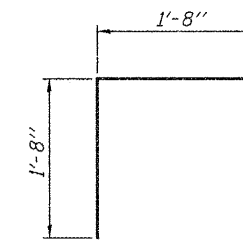
BAR d1(E)



BAR s(E)



BAR s1(E)



BAR v(E)

**SUPERSTRUCTURE
BILL OF MATERIAL**

Bar	No.	Size	Length	Shape
a(E)	322	#5	17'-1"	—
a1(E)	226	#5	16'-9"	—
a2(E)	8	#5	18'-0"	—
a3(E)	318	#6	6'-0"	—
b(E)	152	#5	25'-3"	—
b1(E)	160	#5	20'-8"	—
d(E)	206	#5	5'-7"	U
d1(E)	206	#5	7'-3"	U
e(E)	70	#4	18'-7"	—
e1(E)	8	#4	24'-9"	—
e2(E)	6	#8	33'-9"	—
m(E)	8	#6	18'-1"	—
m1(E)	20	#6	18'-1"	—
m2(E)	36	#6	8'-0"	—
m3(E)	8	#6	3'-11"	—
m4(E)	8	#6	1'-7"	—
s(E)	72	#5	6'-9"	T
s1(E)	64	#4	12'-9"	U
v(E)	72	#5	3'-4"	T
Reinforcement Bars, Epoxy Coated		Lbs.	27,030	
Concrete Superstructure		Cu. Yds.	141.7	

Bars indicated thus 20 x 3-#5 etc. indicates 20 lines of bars with 3 lengths per line.

**SUPERSTRUCTURE DETAILS
STRUCTURE NO. 055-0079**

DESIGNED SEC
CHECKED CTW
DRAWN SEC
CHECKED CTW

PI-I-D

10-1-08

SHEET NO. 10 21 SHEETS	EFK Moen, LLC Civil Engineering Design		331 Salem Place Suite 225 Fairview Heights, IL 62208		Phone 618-206-4250 Fax 618-206-4253	
	F.A.P. RTE.	SECTION	COUNTY	TOTAL SHEETS	SHEET NO.	
	685	37BR-1	MCDONOUGH	138	65	
FED. ROAD DIST. NO.			ILLINOIS	FED. AID PROJECT		
				CONTRACT NO. 68352		