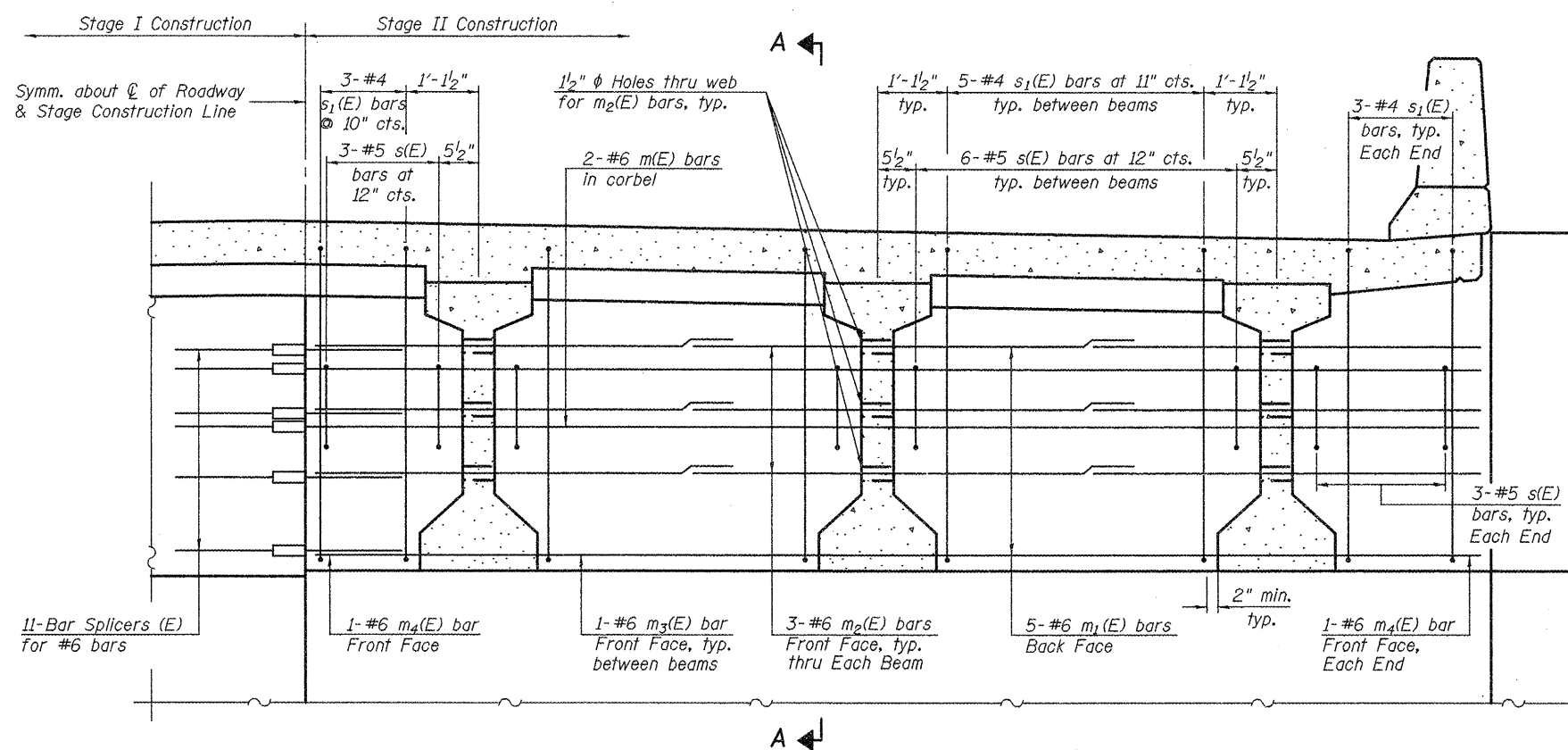
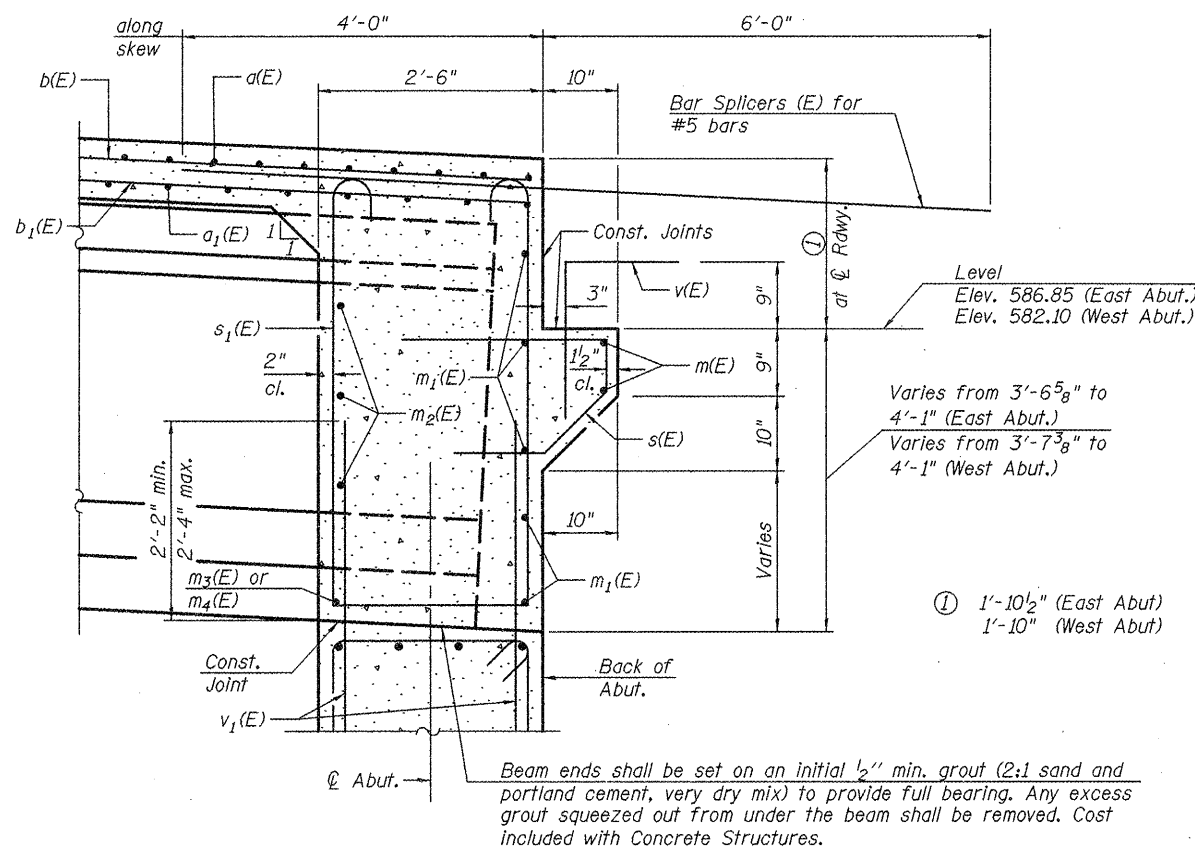


STATE OF ILLINOIS  
DEPARTMENT OF TRANSPORTATION



PART DIAPHRAGM ELEVATION AT ABUTMENT

Note:  
Vertical bars,  $v(E)$  and  $v_1(E)$ , not shown for clarity.

MIN. BAR LAP  
#6 bar = 2'-9"

Notes:  
Reinforcement bars in diaphragm are billed with superstructure on sheet 10 of 21.  
Concrete in diaphragm is included with Concrete Superstructure on sheet 10 of 21.  
For details of bars  $s(E)$  and  $s_1(E)$  see sheet 10 of 21.  
The  $s(E)$  and  $s_1(E)$  bars shall be placed parallel to the beams.  
Spacing for these bars shall be at right angles to the beams.

DESIGNED	SEC
CHECKED	CTW
DRAWN	SEC
CHECKED	CTW

DIAPHRAGM DETAILS		STRUCTURE NO. 055-0079				
SHEET NO. 11	21 SHEETS	<b>EFK Moen, LLC</b> Civil Engineering Design 331 Salem Place Suite 225 Fairview Heights, IL 62208 Phone 618-206-4250 Fax 618-206-4253				
		F.A.P. RTE.	SECTION	COUNTY	TOTAL SHEETS	SHEET NO.
		685	37BR-1	MCDONOUGH	138	66
		CONTRACT NO. 68352				
		FED. ROAD DIST. NO.	ILLINOIS FED. AID PROJECT			