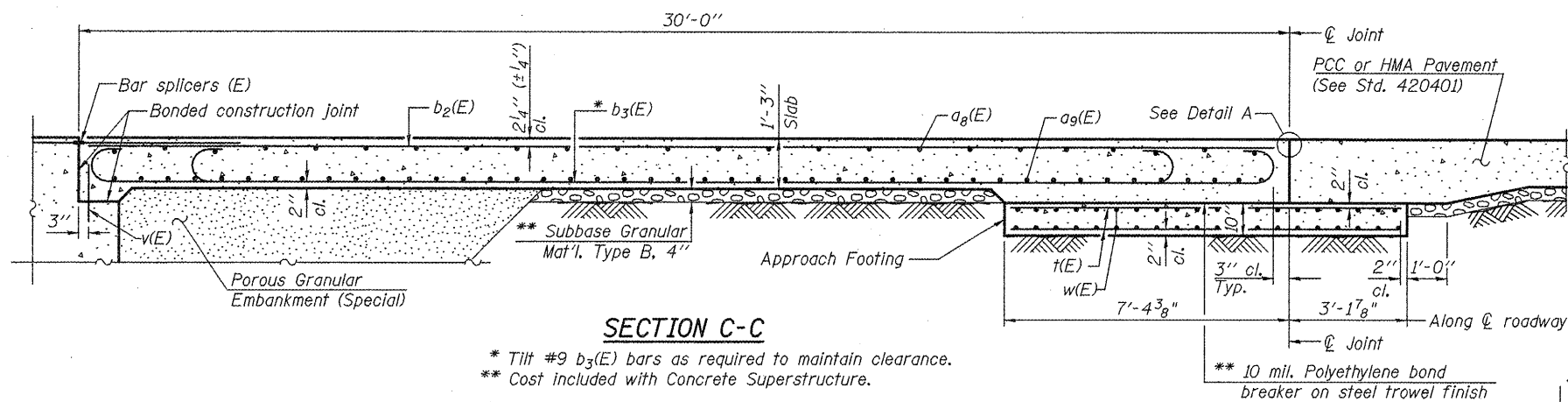


STATE OF ILLINOIS
DEPARTMENT OF TRANSPORTATION

Notes:

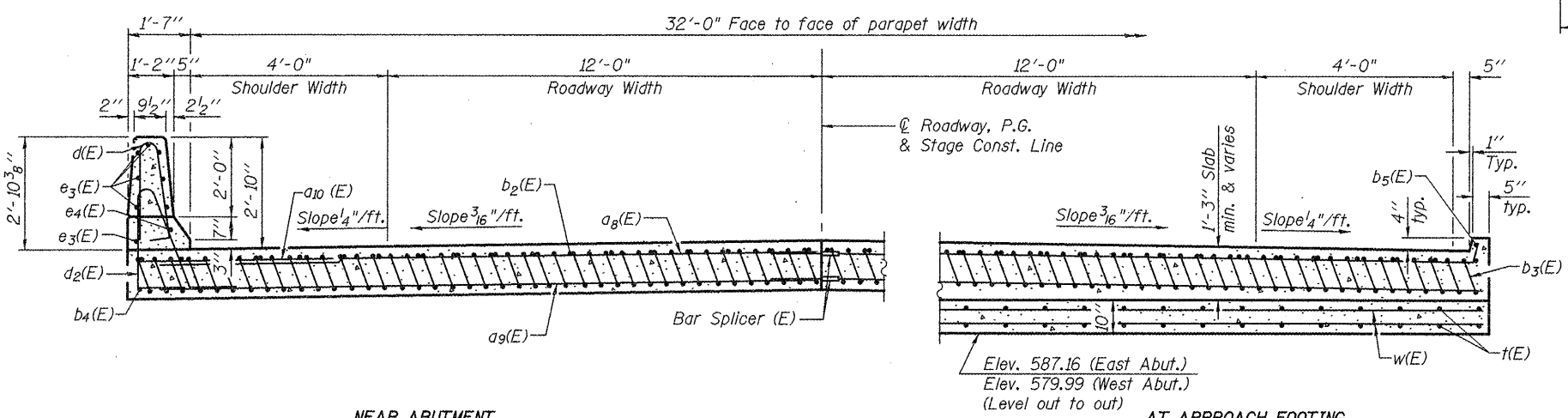
See sheet 12 of 21 for Detail A.
Approach slab and parapet concrete shall be paid for as Concrete Superstructure.
Approach footing concrete shall be paid for as Concrete Structures.
Reinforcement shall be paid for as Reinforcement Bars, Epoxy Coated.
For v(E) bar details, see sheet 10 of 21.
The approach footing maximum applied service bearing pressure (Qmax) = 2.0 ksf.
For bar splicer details, see sheet 20 of 21.
Cost of excavation for approach footing included with Concrete Structures.
For Porous Granular Embankment (Special) and drainage treatment details, see sheet 2 of 21.



SECTION C-C

* Tilt #9 b3(E) bars as required to maintain clearance.
** Cost included with Concrete Superstructure.

** 10 mil. Polyethylene bond breaker on steel trowel finish



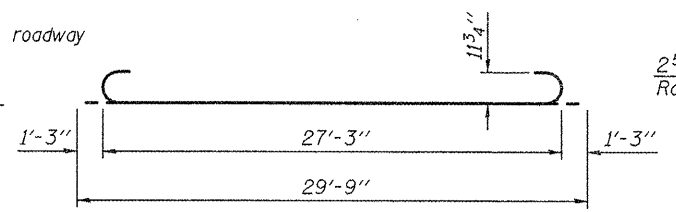
SECTION D-D

(See Plan for dimensions not shown)

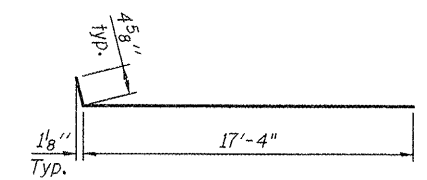
NEAR ABUTMENT

AT APPROACH FOOTING

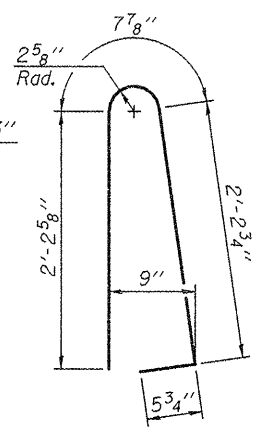
Elev. 587.16 (East Abut.)
Elev. 579.99 (West Abut.)
(Level out to out)



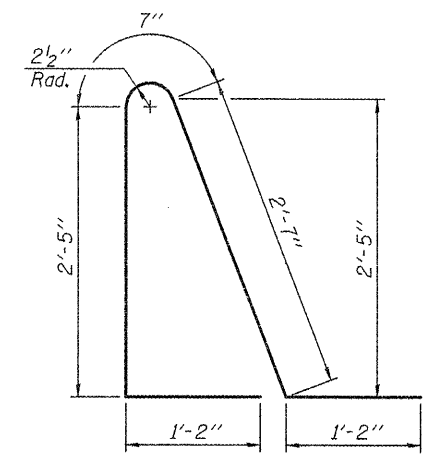
BAR b3(E)



BAR a8(E)



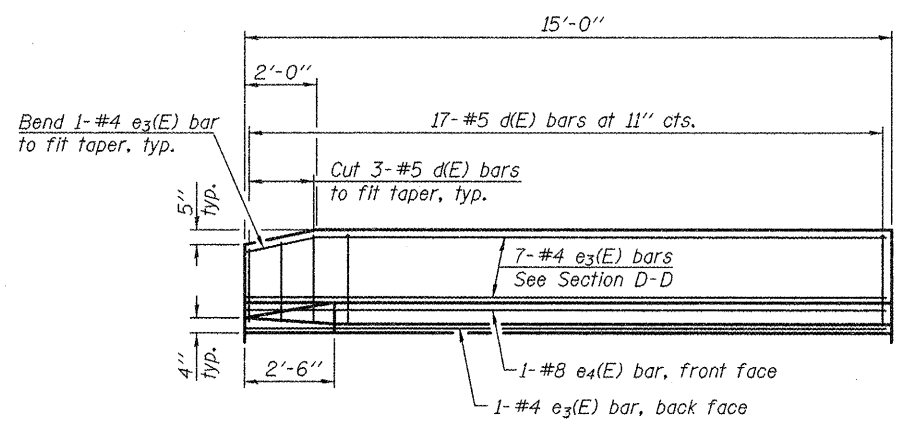
BAR d(E)



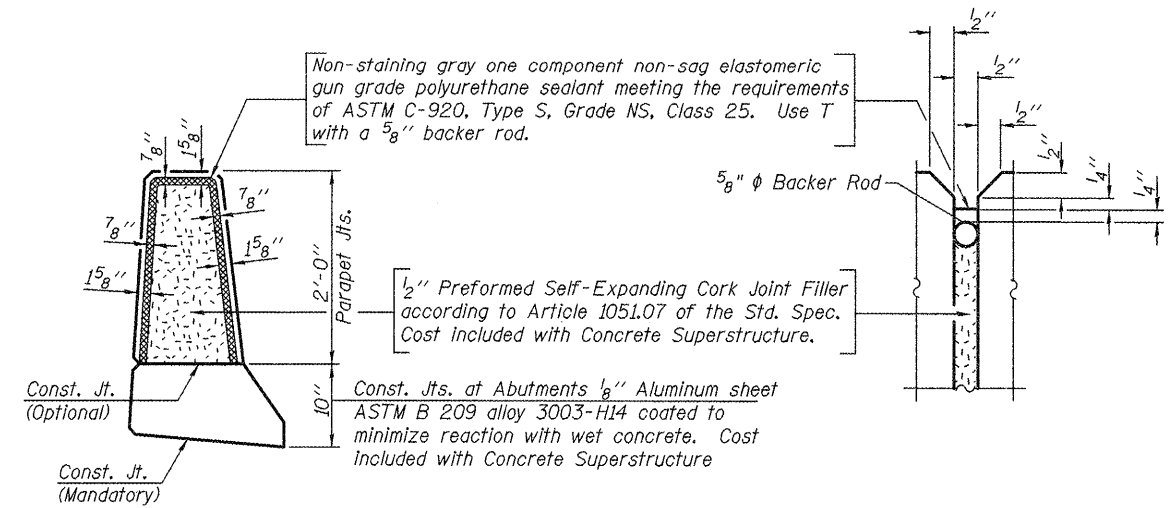
BAR d2(E)

TWO APPROACHES
BILL OF MATERIAL

Bar	No.	Size	Length	Shape
a8(E)	100	#4	17'-9"	—
a9(E)	184	#5	17'-5"	—
a10(E)	48	#6	6'-0"	—
b2(E)	68	#4	29'-8"	—
b3(E)	164	#9	29'-9"	—
b4(E)	4	#4	14'-8"	—
b5(E)	4	#4	14'-4"	—
d(E)	68	#5	5'-7"	▲
d2(E)	68	#5	7'-11"	▲
e3(E)	32	#4	14'-8"	—
e4(E)	4	#8	14'-8"	—
t(E)	144	#4	10'-2"	—
w(E)	160	#5	17'-5"	—
Concrete Superstructure		Cu. Yd.	116.4	
Concrete Structures		Cu. Yd.	22.0	
Reinforcement Bars, Epoxy Coated		Pound	28,300	



VIEW E-E



PARAPET JOINT DETAILS

DESIGNED SEC
CHECKED CTW
DRAWN SEC
CHECKED CTW

BA-L 10-31-08

(Sheet 2 of 2)
BRIDGE APPROACH SLAB DETAILS
STRUCTURE NO. 055-0079

SHEET NO. 13 21 SHEETS	EFK Moen, LLC Civil Engineering Design		331 Salem Place Suite 225 Fairview Heights, IL 62208		Phone 618-206-4250 Fax 618-206-4253	
	F.A.P. RTE.	SECTION	COUNTY	TOTAL SHEETS	SHEET NO.	
	685	37BR-1	MCDONOUGH	138	68	
FED. ROAD DIST. NO.			ILLINOIS		FED. AID PROJECT	
CONTRACT NO. 68352						