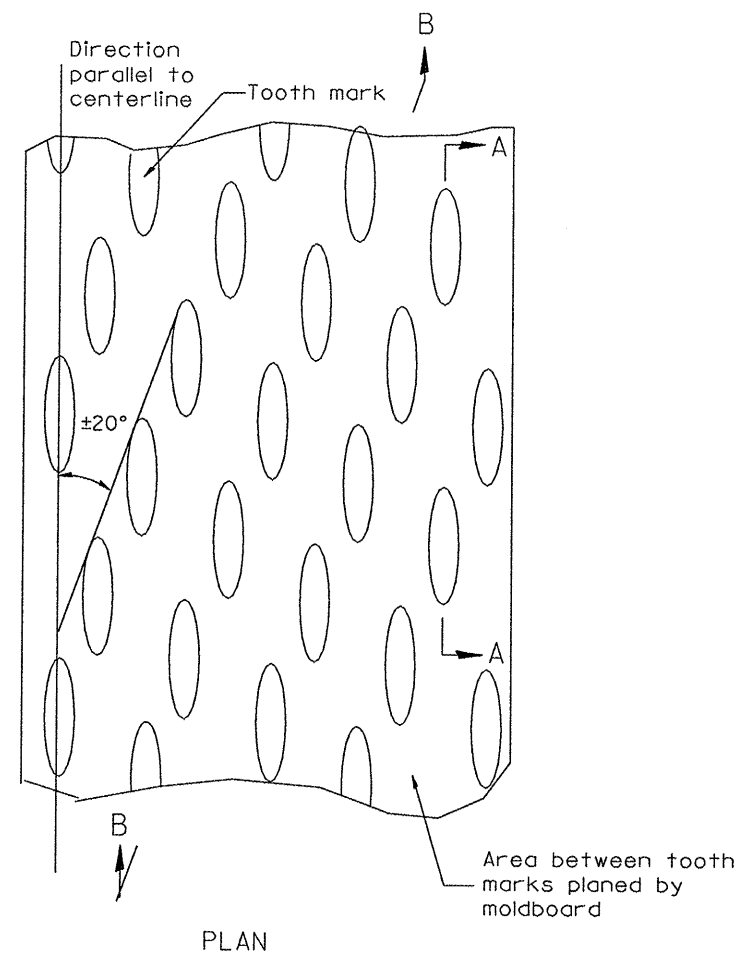
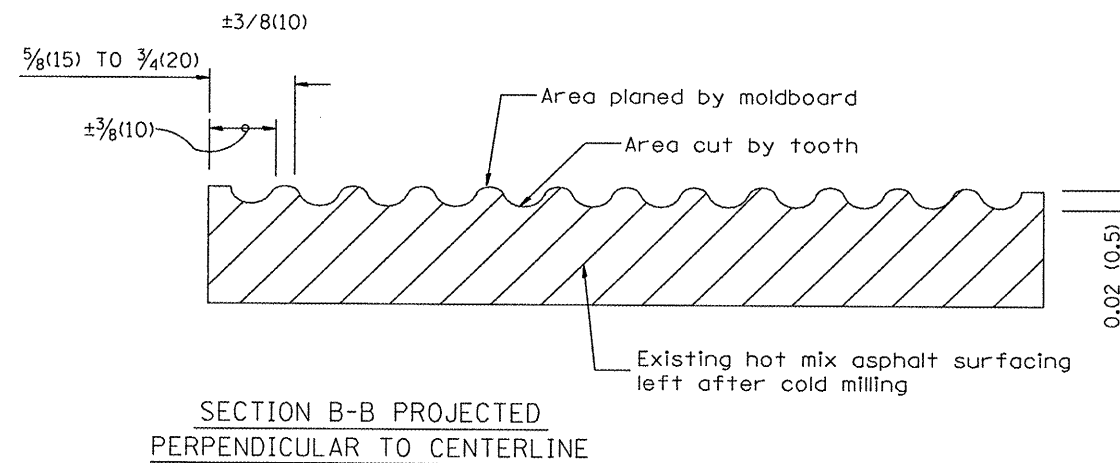
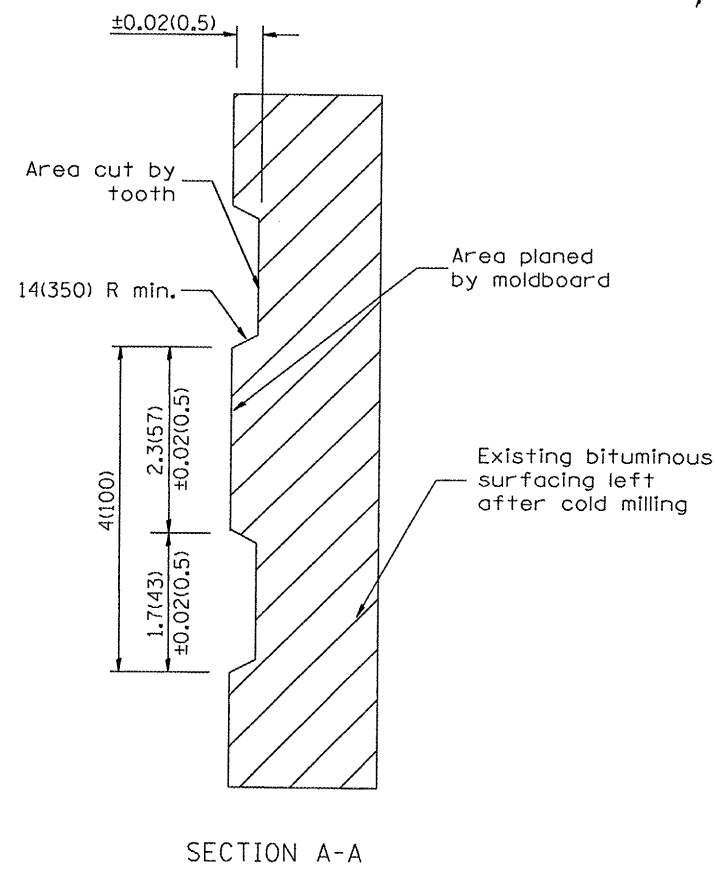


F.A.P. RTE.	SECTION	COUNTY	TOTAL SHEETS	SHEET NO.
685	37BR-1	MCDONOUGH/PULTON	138	85
STA. 557+20.00		TO STA. 589+00.00		
FED. ROAD DIST. NO.		ILLINOIS FED. AID PROJECT		



General notes:

1. Coldmilling shall consist of two processes: Cutting with carbide teeth mounted on a rotating drum, and planing with a moldboard mounted immediately behind the cutting drum.
2. Other similar patterns will be acceptable if they consist of a smooth, flat, planed surface interspersed with a pattern of discontinuous longitudinal striations.



All dimensions are in inches (millimeters) unless otherwise noted.

DESIGNER NOTE  
1. INCLUDE DISTRICT SPECIAL PROVISION, IF APPLICABLE.

DATE	REVISIONS	BY
1-1-97	RENUM. C-104.01, NEW REVISION BOX	T. P.
4-20-98	REMOVED MILLING DETAIL FROM STD.	J. A.
9-08-98	CORRECT NOTE LEADER PLACEMENT	R. W.
10-16-06	REVISED TO 2007 SPEC.	M.A.

ILLINOIS DEPARTMENT OF TRANSPORTATION  
DISTRICT CADD STANDARD

**HOT MIX ASPHALT  
SURFACE REMOVAL  
(COLD MILLING)**

CADD STD NO. 440001-D4  
SCALE: NOT DRAWN TO SCALE  
DATE: \_\_\_\_\_ DRAWN BY CADD  
CHECKED BY \_\_\_\_\_