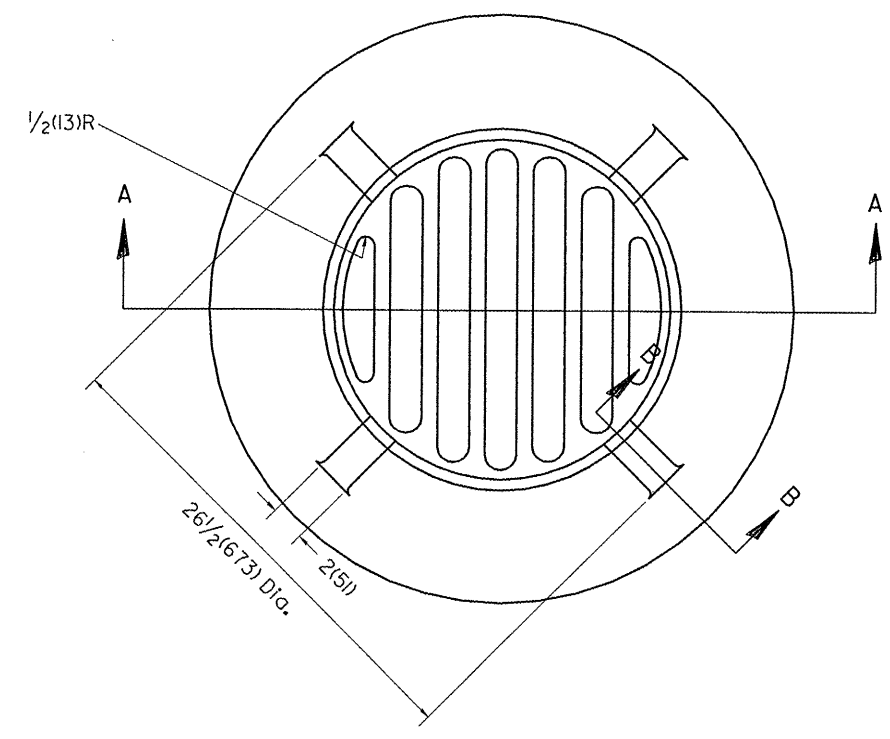
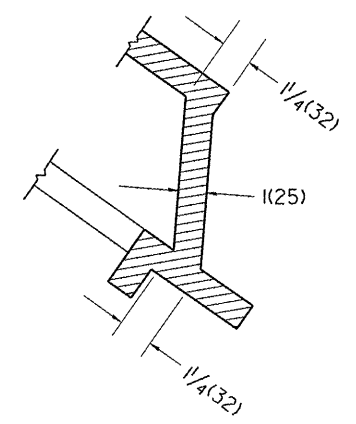


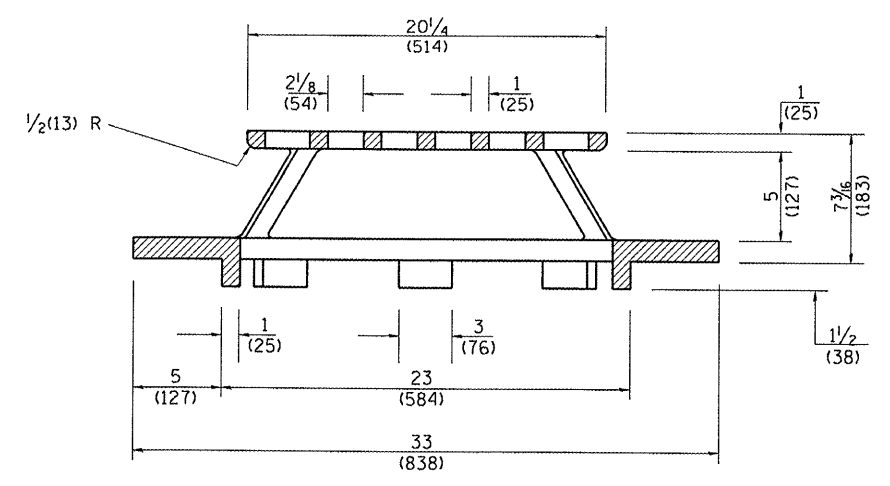
F.A.P. RTE.	SECTION	COUNTY	TOTAL SHEETS	SHEET NO.
685	37BR-1	MCDONOUGH/FULTON	138	87
STA. 557+20.00		TO STA. 589+00.00		
FED. ROAD DIST. NO.		ILLINOIS FED. AID PROJECT		



PLAN



SECTION B - B



SECTION A - A

GENERAL NOTES

1. MATERIAL - Cast Gray Iron  
Weight 209 lbs (95 kg)

All dimensions are in inches (millimeters) unless otherwise noted.

ILLINOIS DEPARTMENT OF TRANSPORTATION  
DISTRICT CADD STANDARD

DATE	REVISIONS	BY
1-1-97	RENUM. B-10.02, NEW REVISION BOX	T.P.
10-16-06	REVISED TO 2007 SPEC.	M.A.

TYPE 37 GRATE  
CADD STANDARD 604301-D4  
SCALE NOT TO SCALE  
DRAWN BY CADD  
CHECKED BY

DESIGNER NOTE:  
1. INCLUDE DISTRICT SPECIAL PROVISION.