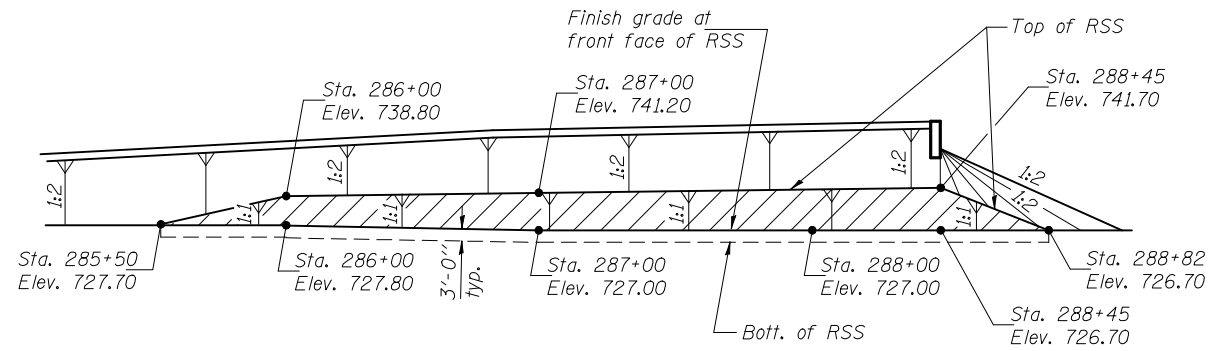
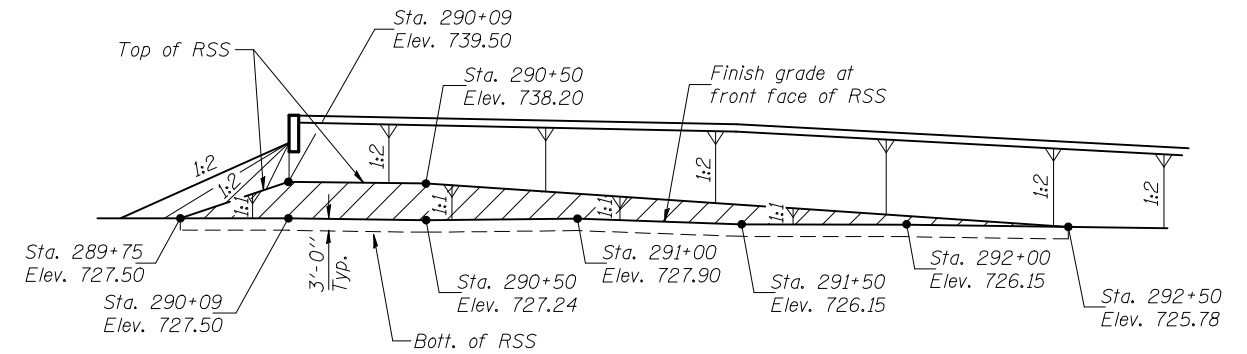


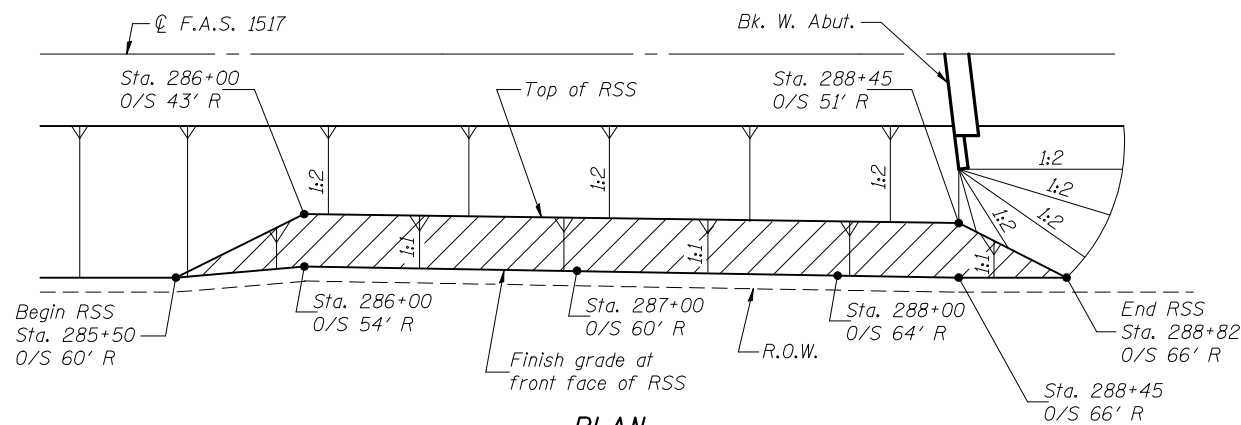
STATE OF ILLINOIS
DEPARTMENT OF TRANSPORTATION



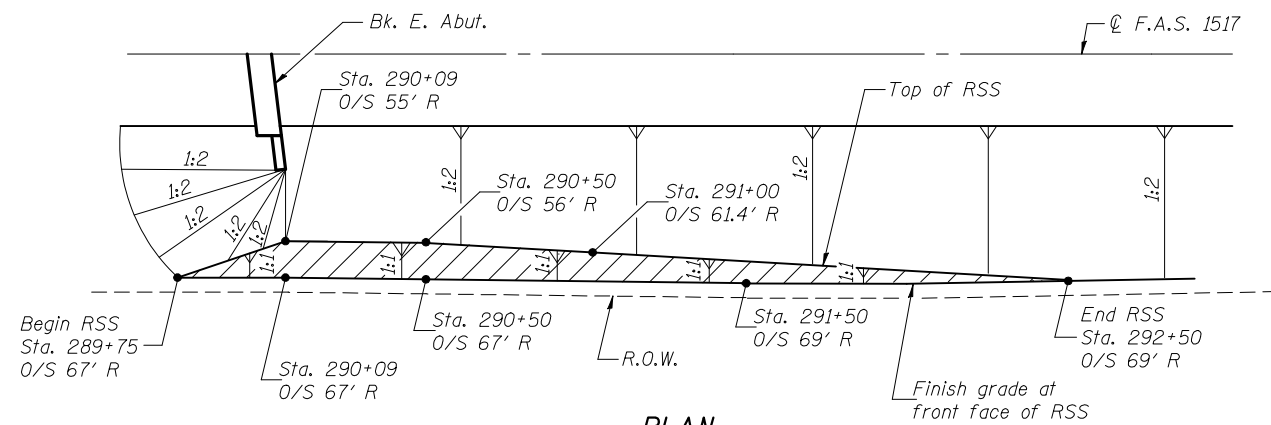
ELEVATION



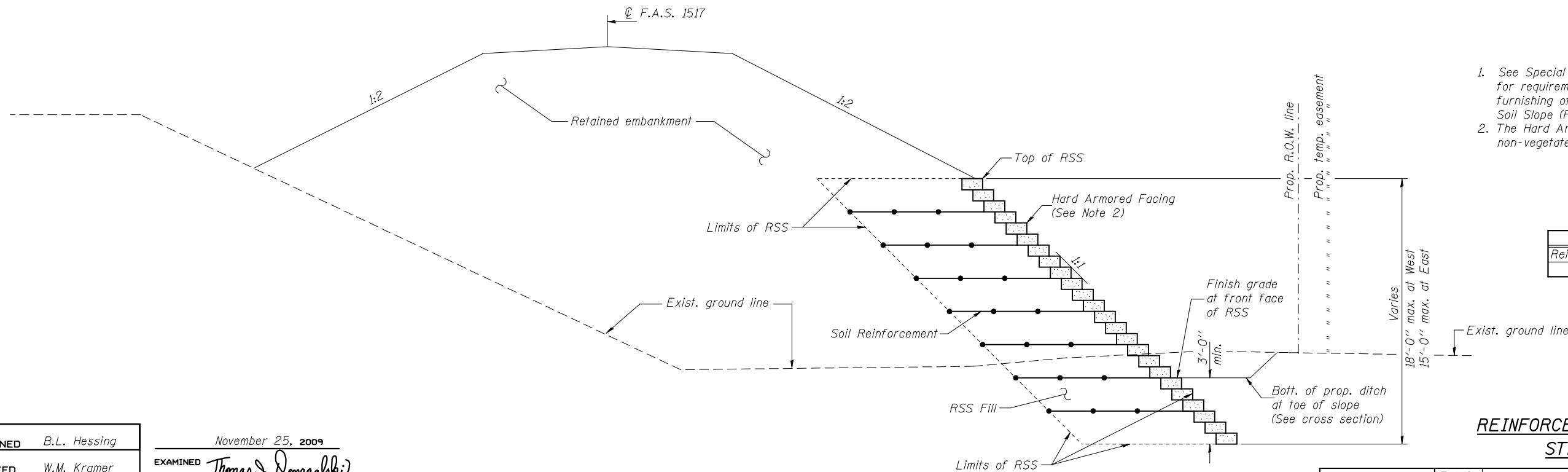
ELEVATION



PLAN
WEST END - SOUTH SIDE



PLAN
EAST END - SOUTH SIDE



TYPICAL SECTION
(Looking east)

NOTES:

- See Special Provisions, "Reinforced Soil Slope System" for requirements pertaining to the design preparation, furnishing of materials, and construction of the Reinforced Soil Slope (RSS).
- The Hard Armored Facing shall be limited to the use of non-vegetated geocell or non-vegetated precast elements.

BILL OF MATERIAL

Item	Unit	Total
Reinforced Soil Slope System	Sq. Ft.	5660

REINFORCED SOIL SLOPE (RSS) DETAILS
STRUCTURE NO. 074-0086

DESIGNED	B.L. Hessing
CHECKED	W.M. Kramer
DRAWN	h.t. duong
CHECKED	BLH/WMK

November 25, 2009
 EXAMINED *Thomas J. Domagala*
 ENGINEER OF BRIDGE DESIGN
 PASSED *Ralph E. Anderson*
 ENGINEER OF BRIDGES AND STRUCTURES

SHEET NO. 3 25 SHEETS	F.A.S. RTE.	SECTION	COUNTY	TOTAL SHEETS	SHEET NO.
	1517	12VBR-1	PIATT	168	88
CONTRACT NO. 70388					
FED. ROAD DIST. NO. _ ILLINOIS FED. AID PROJECT					