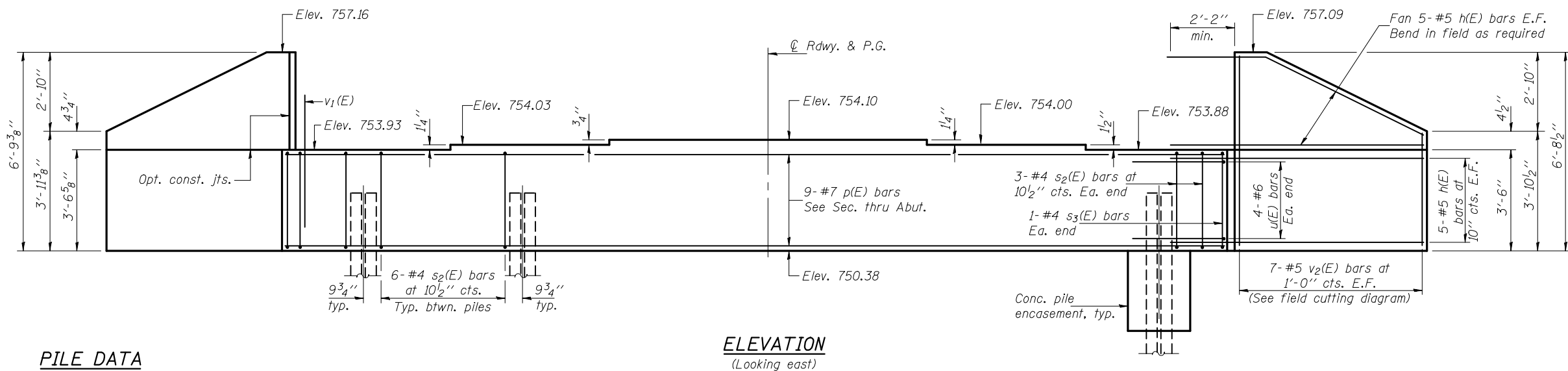
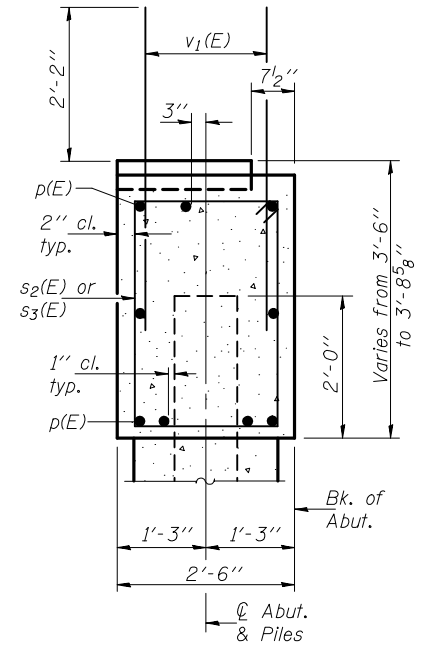


STATE OF ILLINOIS
DEPARTMENT OF TRANSPORTATION



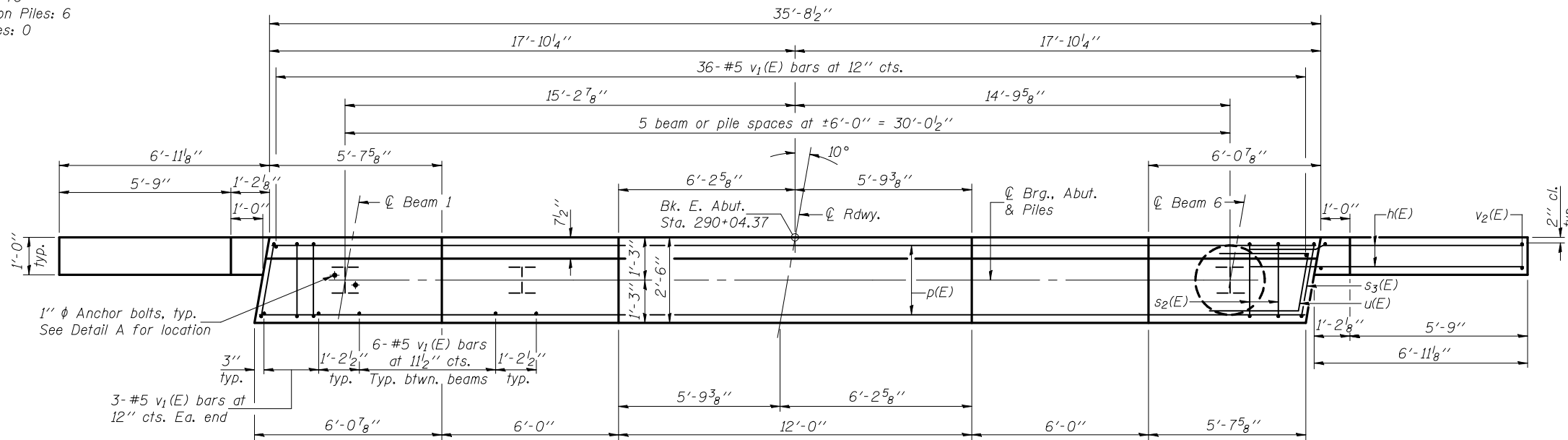
ELEVATION
(Looking east)



SEC. THRU ABUT.

PILE DATA

Type: Steel HP12x53
Nominal Required Bearing: 280 Kips
Factored Resistance Available: 140 Kips
Est. Length: 76'
No. Production Piles: 6
No. Test Piles: 0



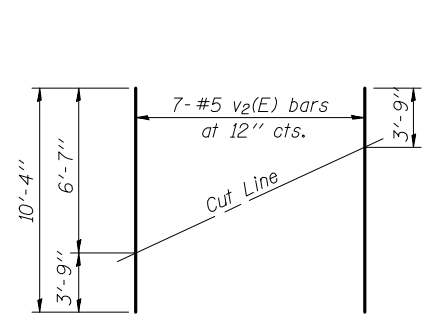
PLAN

BILL OF MATERIAL

| Bar | No. | Size | Length | Shape |
|----------------------------------|-----|---------|--------|-------|
| h(E) | 40 | #5 | 9'-6" | |
| p(E) | 9 | #7 | 35'-4" | |
| s2(E) | 36 | #4 | 11'-5" | □ |
| s3(E) | 2 | #4 | 11'-9" | □ |
| u(E) | 8 | #6 | 9'-3" | ┌ |
| v1(E) | 72 | #5 | 4'-4" | |
| v2(E) | 14 | #5 | 10'-4" | |
| Structure Excavation | | Cu. Yd. | 69 | |
| Concrete Structures | | Cu. Yd. | 14.8 | |
| Reinforcement Bars, Epoxy Coated | | Pound | 1920 | |
| Furnishing Steel Piles HP12x53 | | Foot | 456 | |
| Driving Piles | | Foot | 456 | |
| Concrete Encasement | | Cu. Yd. | 2.1 | |
| Anchor Bolts 1" | | Each | 12 | |

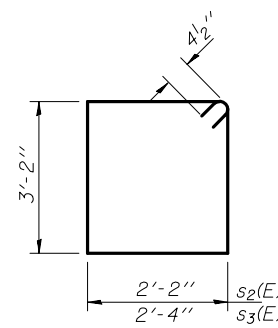
For details of piles and concrete encasement, see sheet 22 of 25.

Notes: Four steps monolithically with cap.
Pile shall be driven through 18" diameter pre-cored holes extending to Elev. 716.0 according to Article 512.09(c) of the Standard Specifications. Cost included in driving piles.

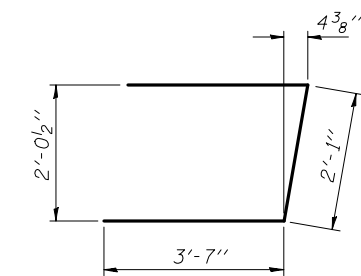


FIELD CUTTING DIAGRAM

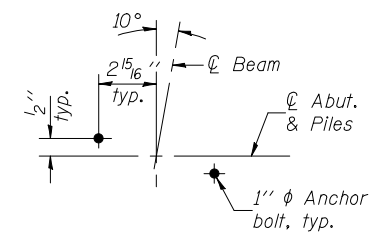
Order v2(E) full length. Cut as shown and use remainder of bars in opposite face.



BARS s2(E) & s3(E)



BAR u(E)



DETAIL A

| | |
|----------|-----------------|
| DESIGNED | D.P. Narielwala |
| CHECKED | S.M. Ryan |
| DRAWN | h.t. duong |
| CHECKED | DPN/SMR |

| | |
|----------|---|
| EXAMINED | November 25, 2009 |
| PASSED | Thomas J. Domagala ENGINEER OF BRIDGE DESIGN |
| | Ralph E. Anderson ENGINEER OF BRIDGES AND STRUCTURES |

**EAST ABUTMENT
STRUCTURE NO. 074-0086**

| | | | | | |
|---|-------------|---------|--------------------|--------------|-----------|
| SHEET NO. 17 25 SHEETS | F.A.S. RTE. | SECTION | COUNTY | TOTAL SHEETS | SHEET NO. |
| | 1517 | 12VBR-1 | PIATT | 168 | 102 |
| | | | CONTRACT NO. 70388 | | |
| FED. ROAD DIST. NO. _ ILLINOIS FED. AID PROJECT | | | | | |